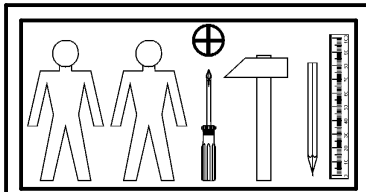
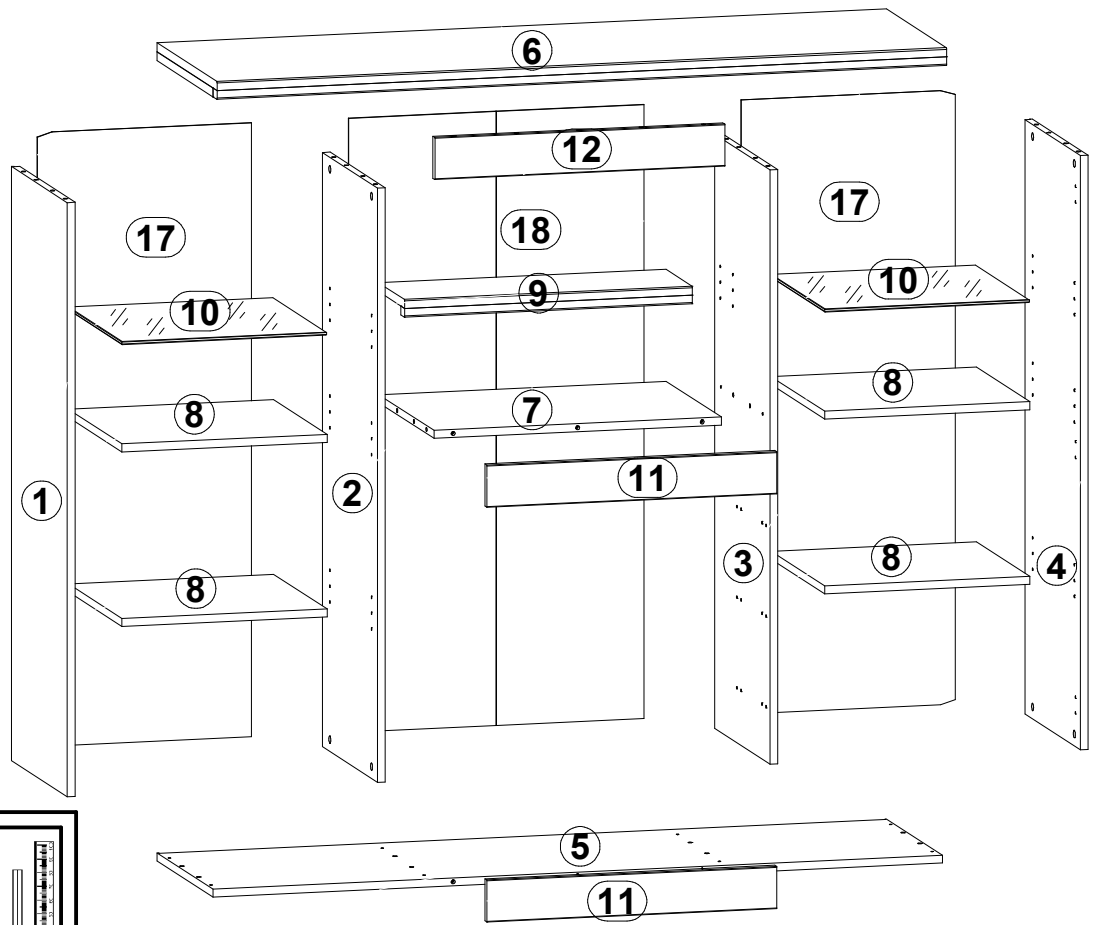
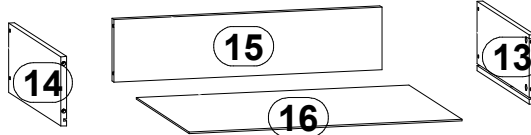
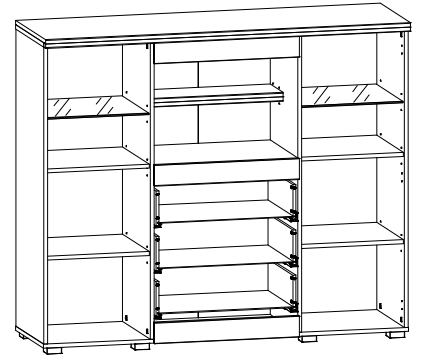
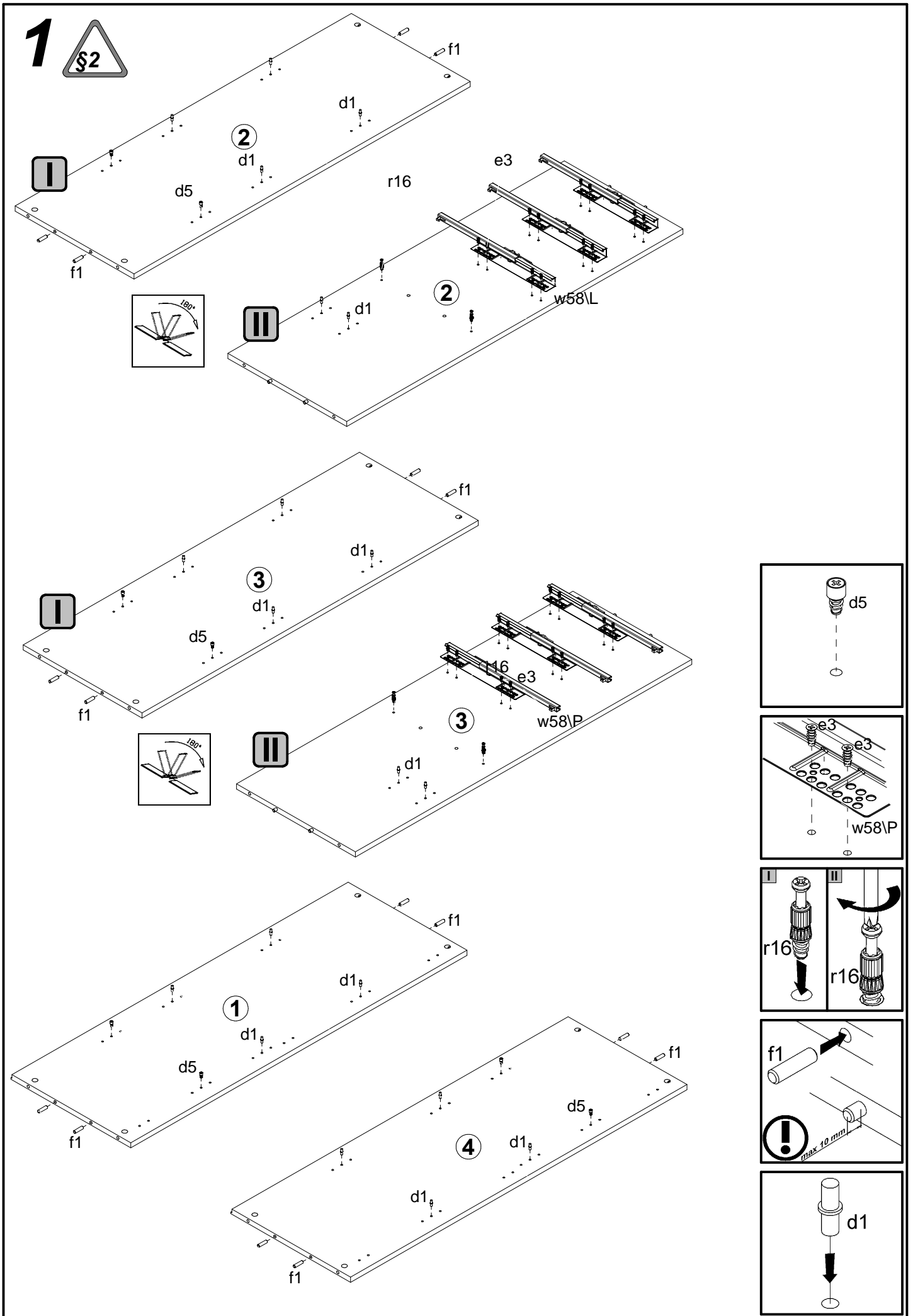


# S64-KOM2W3S/13/15

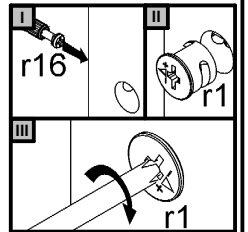
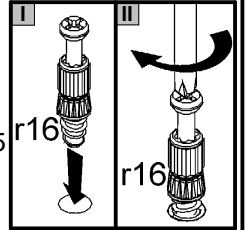
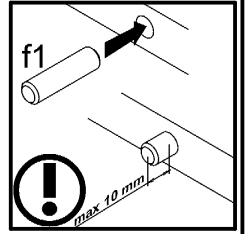
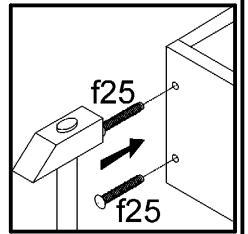
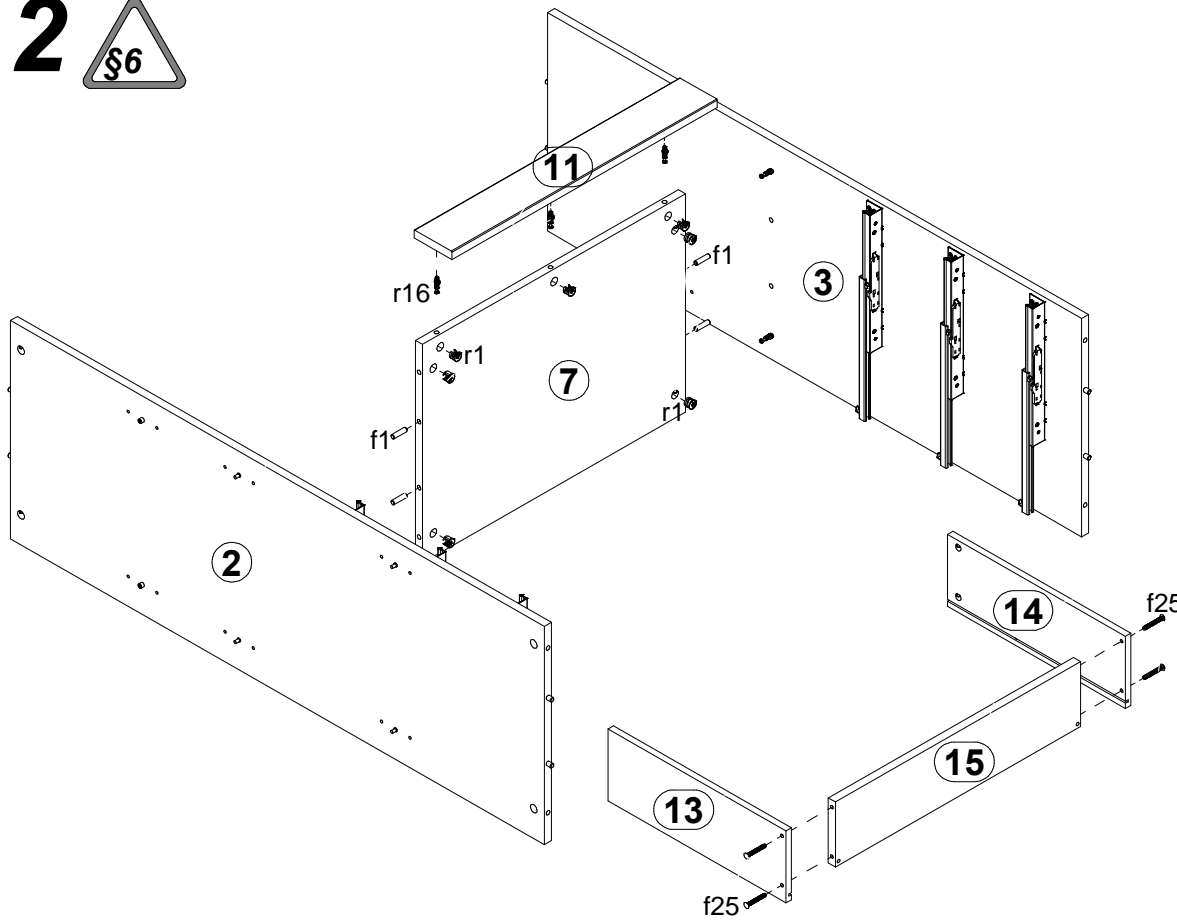
A	B	C	D	
1	S64-106	1200	428	2/4
2	S64-107	1200	424	2/4
3	S64-108	1200	424	2/4
4	S64-109	1200	428	2/4
5	S64-203	1500	428	1/4
6	S64-204	1500	460	1/4
7	S64-302	591	424	3/4
8	S64-303	422	410	3/4
9	S64-309	591	200	1/4
10	S64-319	421	410	3/4
11	S64-401	596	85	1/4
12	S64-402	596	85	1/4
13	S64-504	400	140	3/4
14	S64-505	400	140	3/4
15	S64-506	551	126	3/4
16	S64-903	561	406	3/4
17	S64-912	1240	440	1/4
18	S64-9907	1240	607	1/4



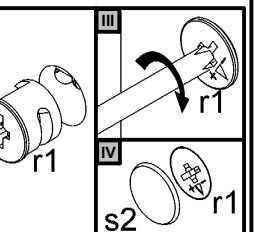
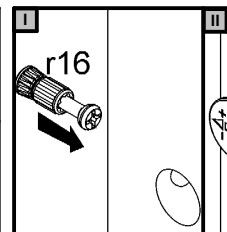
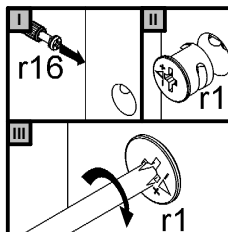
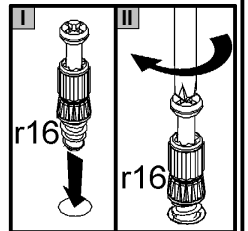
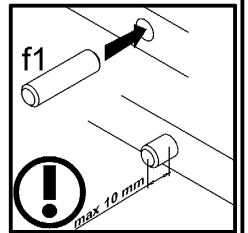
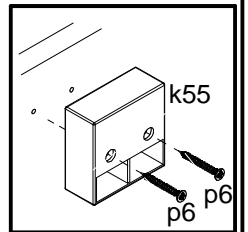
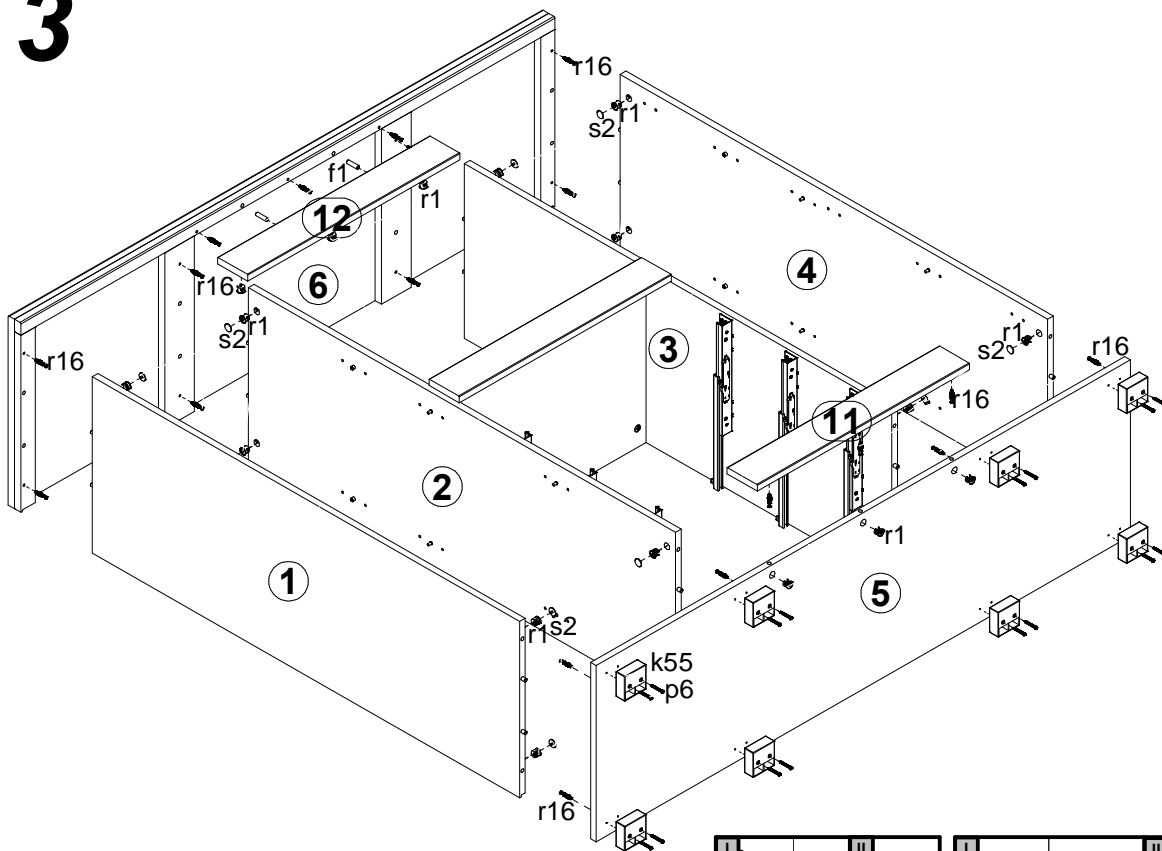
20x φ5x17 mm d1	8x φ6,3x15 mm d5	24x φ6x13 mm e3	22x φ8x30 mm f1	12x φ6,5x40 mm f25	8x k55	130x l1	16x φ4x35 mm p6	29x φ1,5x12mm #16 r1
12x φ12x10,5mm #12 r15	41x r16	16x ø16 s2	3x Quadro L-400 mm w58\L	3x Quadro L-400 mm w58\P	1x n26\1	1x φ3,5x16 mm p38		



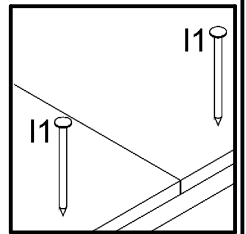
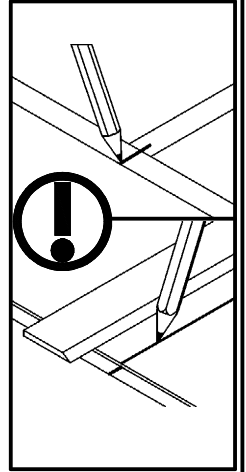
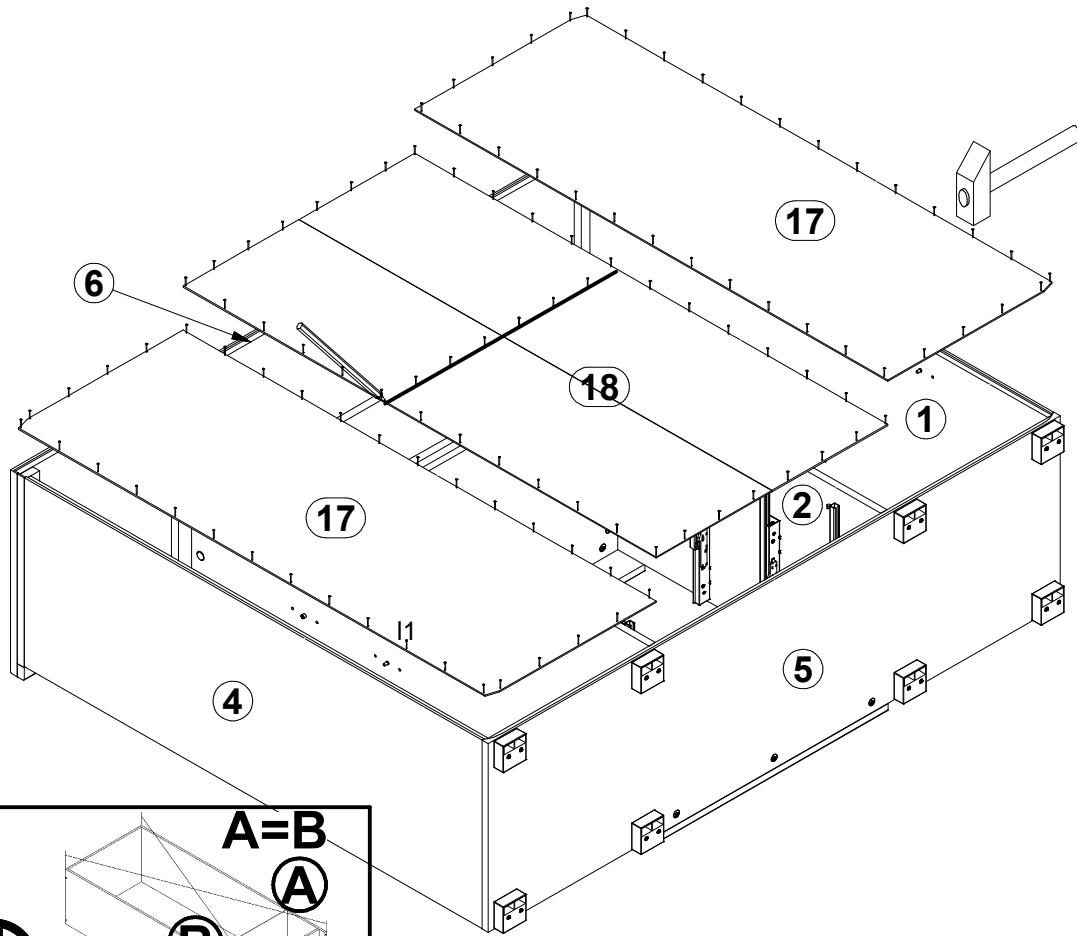
# 2



# 3



# 4



# 5

