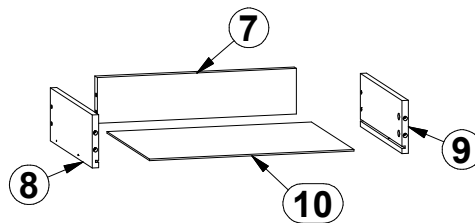
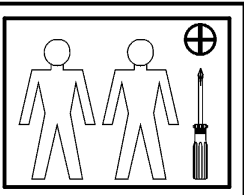
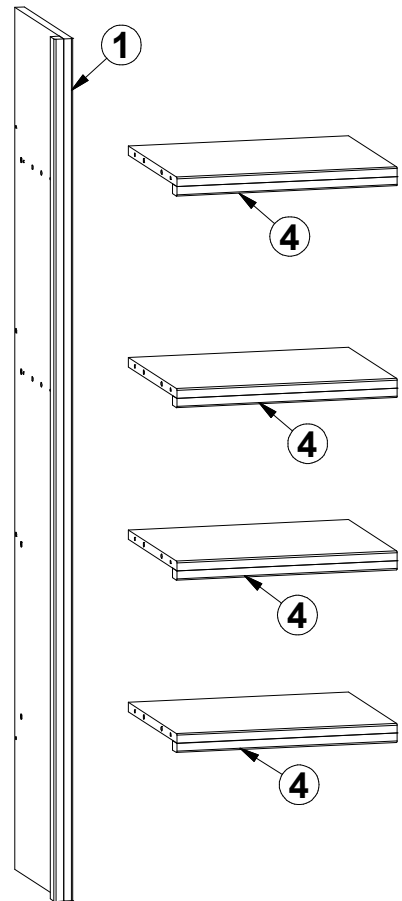
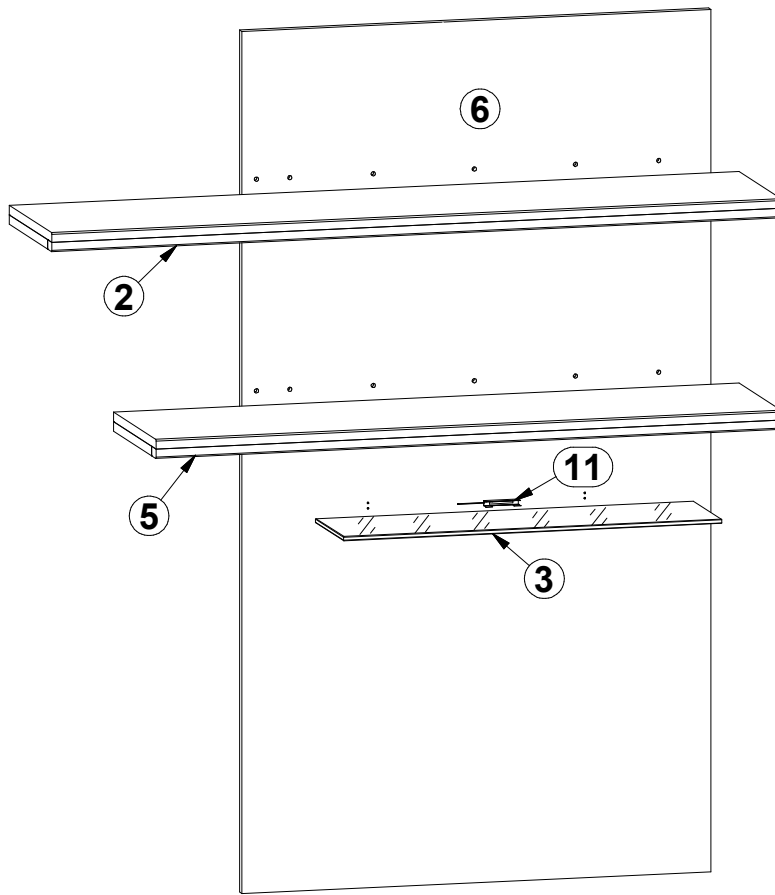
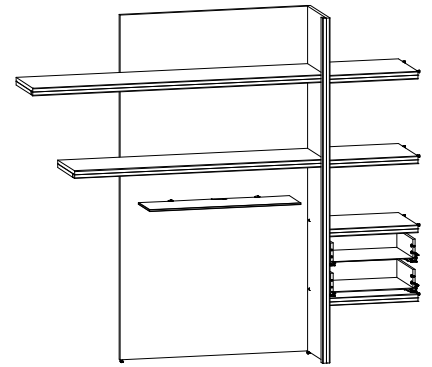


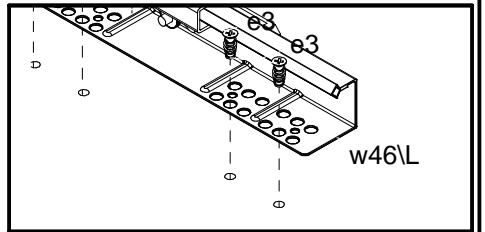
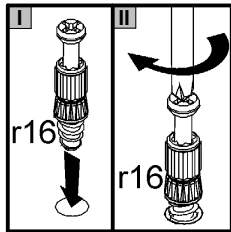
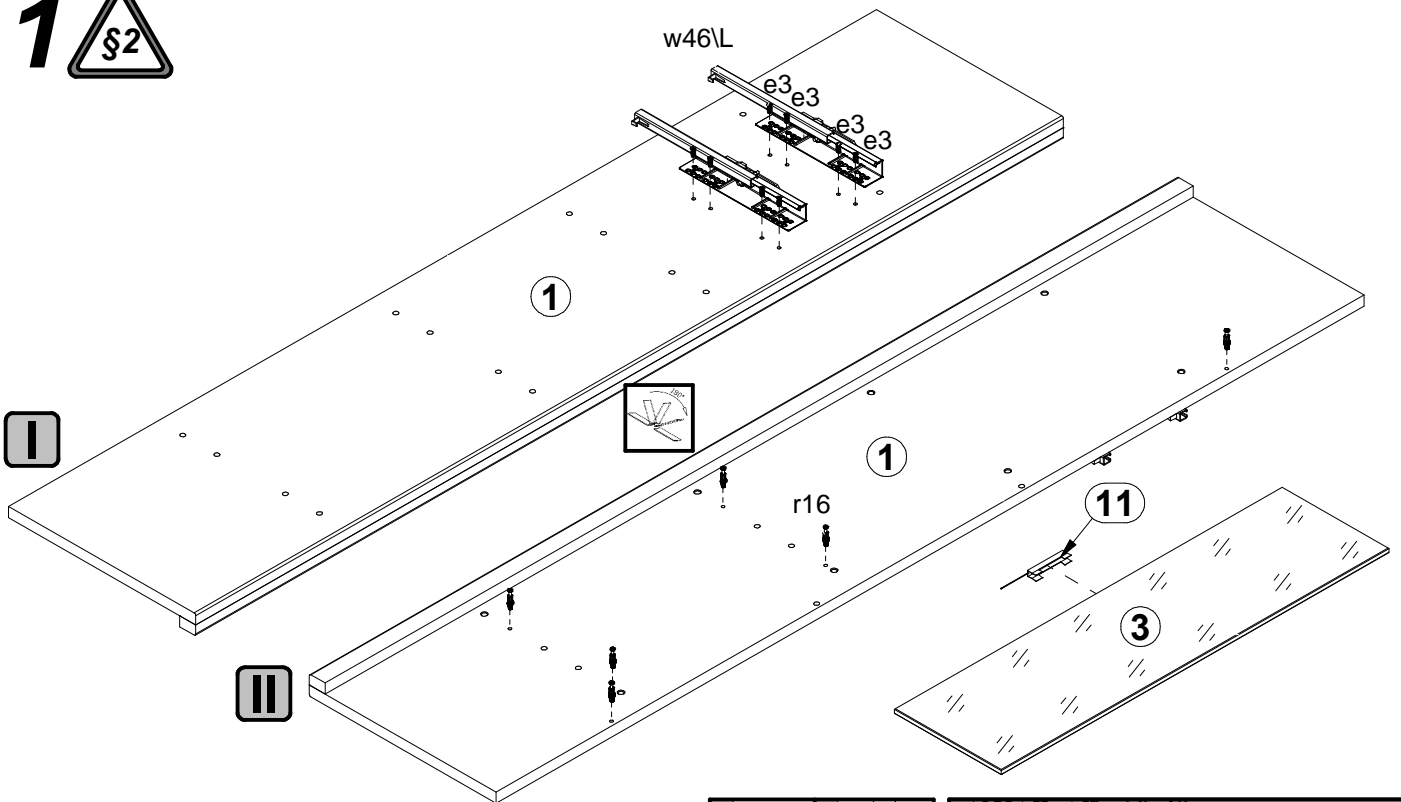
# S64-NAD/16/16

A	B	C	D
1	S64-135	1625	350 1/2
2	S64-320	1400	304 1/2
3	S64-325	726	200 1/2
4	S64-326	422	347 1/2
5	S64-327	1200	304 1/2
6	S64-406	1625	900 2/2
7	S64-510	382	86 1/2
8	S64-511	300	100 1/2
9	S64-512	300	100 1/2
10	S64-919	305	392 1/2
11	qa70	1	1 1/2

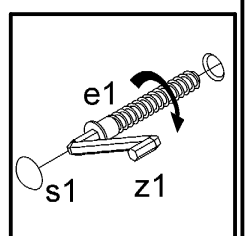
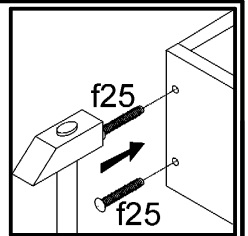
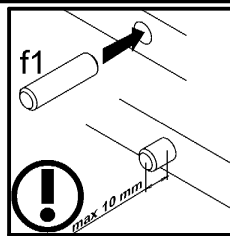
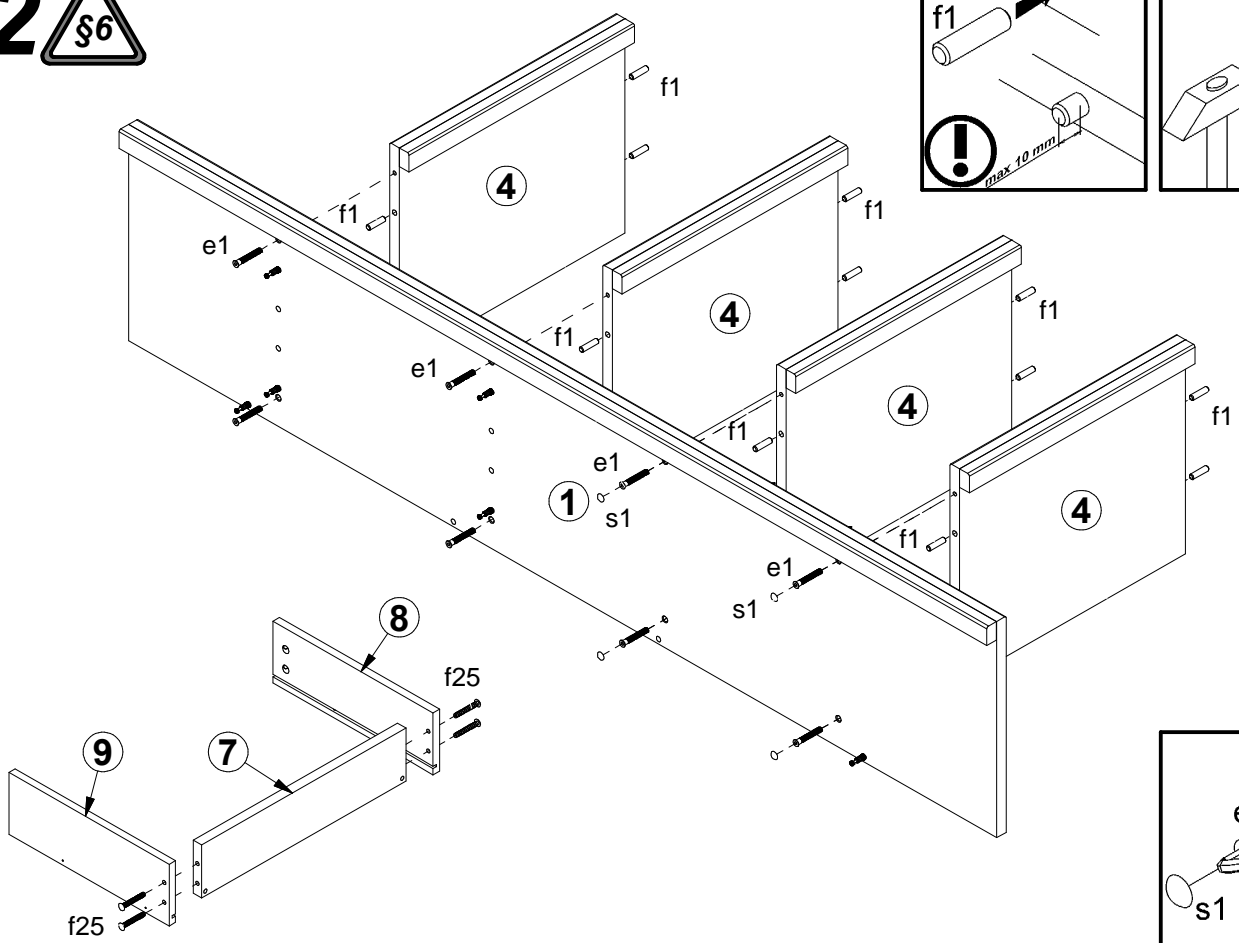


2x  d21	22x  φ7x50 mm e1	16x  φ6x13 mm e3	28x  φ8x30 mm f1	8x  φ6.5x40 mm f25	8x  l1	2x  62x12/1mm n52	6x  φ3.5x16 mm p25	4x  φ3.5x15 mm p51
6x  φ15x12mm #16 r1	8x  φ12x10.5mm #12 r15	14x  r16	12x  s1	4x  ø16 s2	2x  300 mm w46/L	2x  300 mm w46/P	1x  z1	1x  n26/1
1x  φ3.5x16 mm p38								

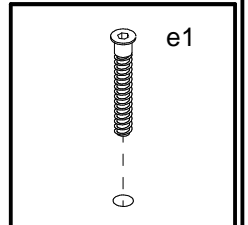
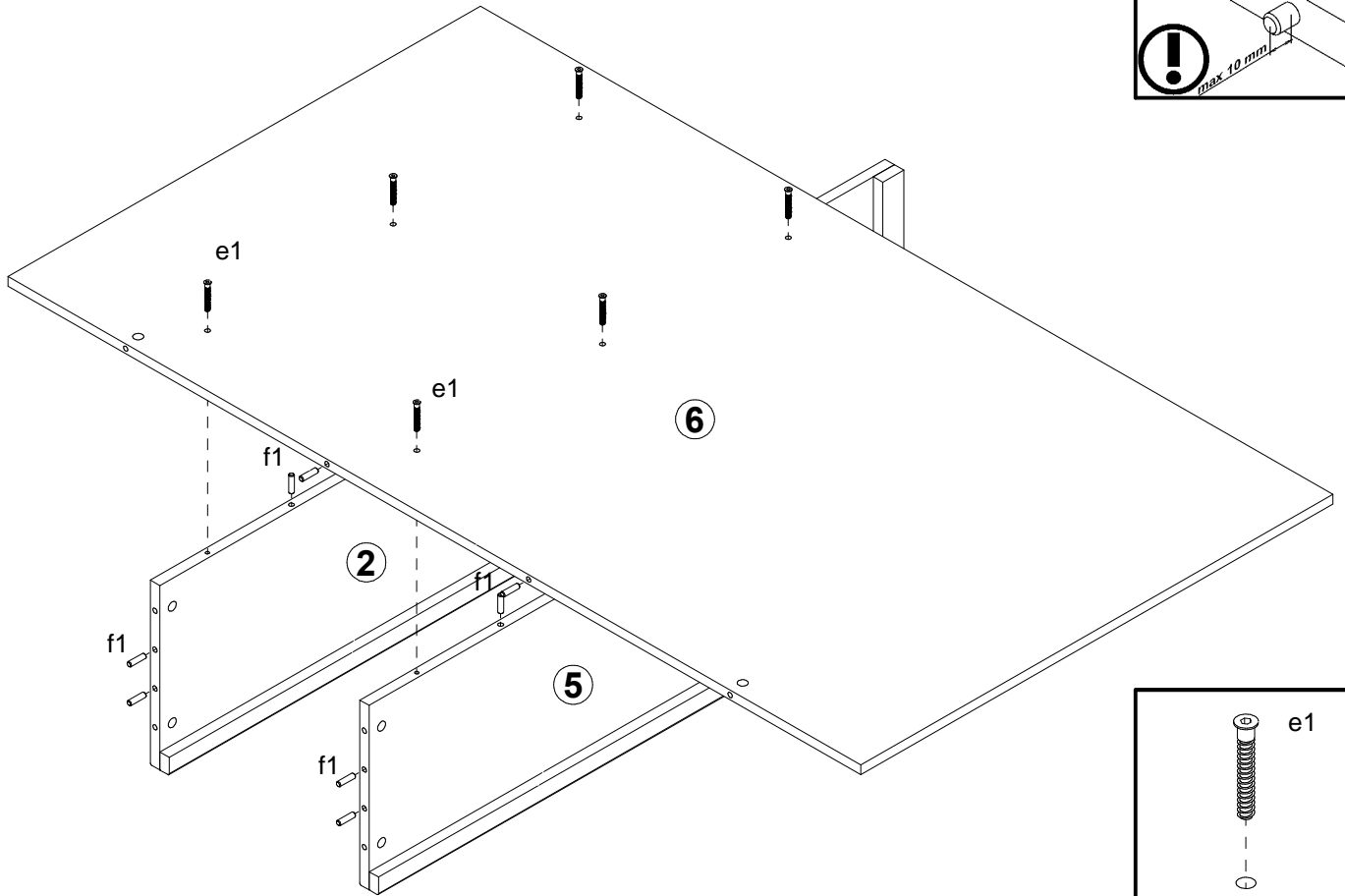
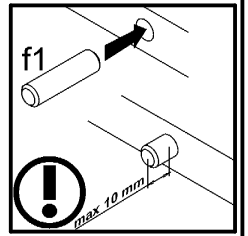
# 1



# 2



# 3



# 4

