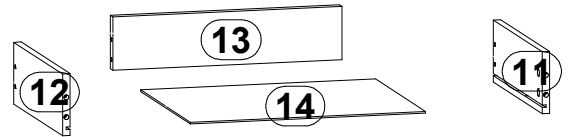
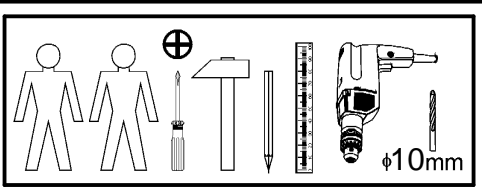
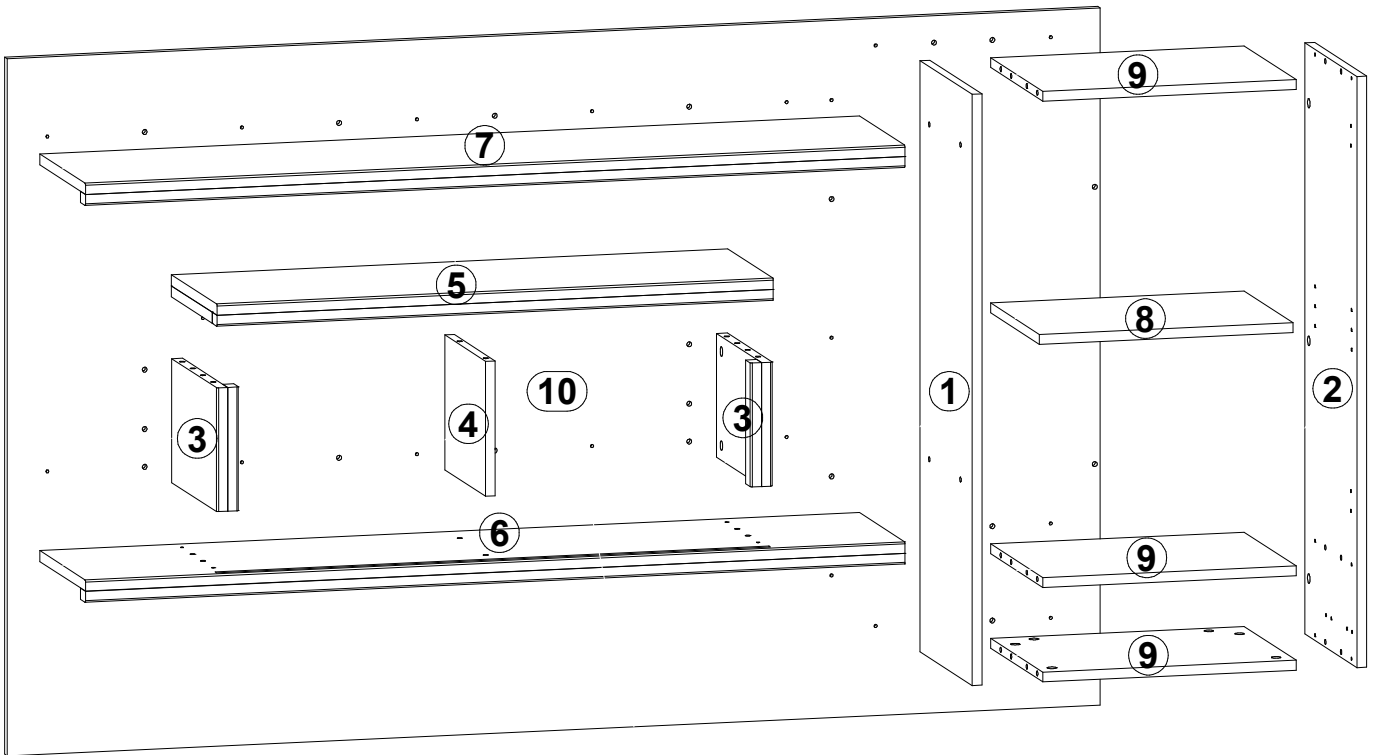
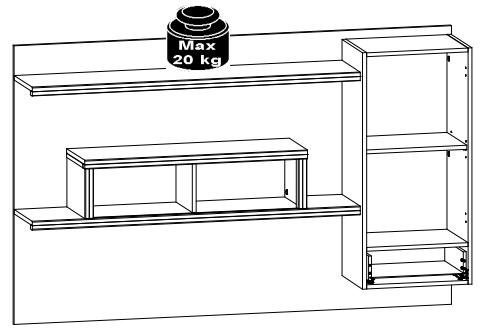
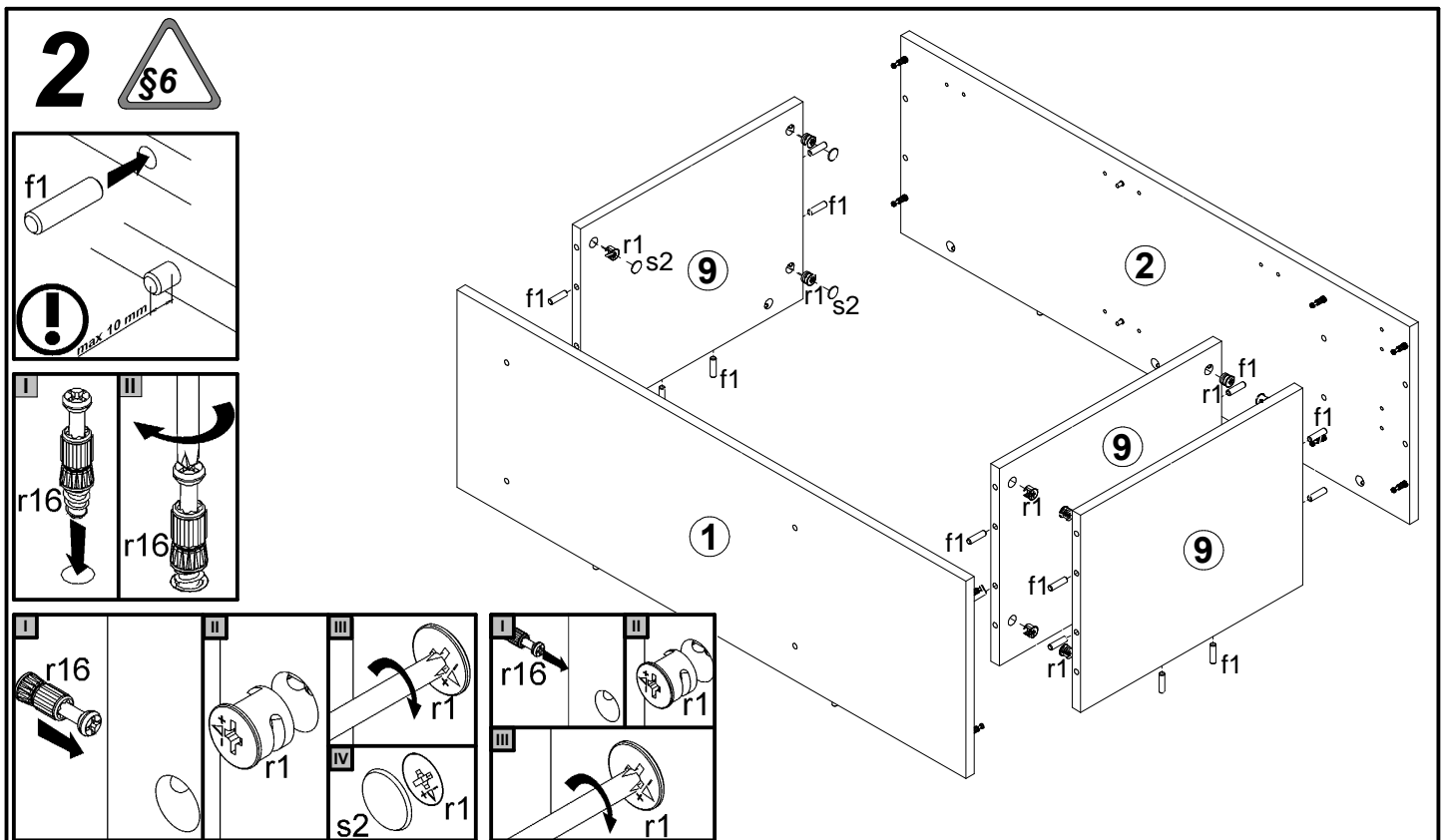
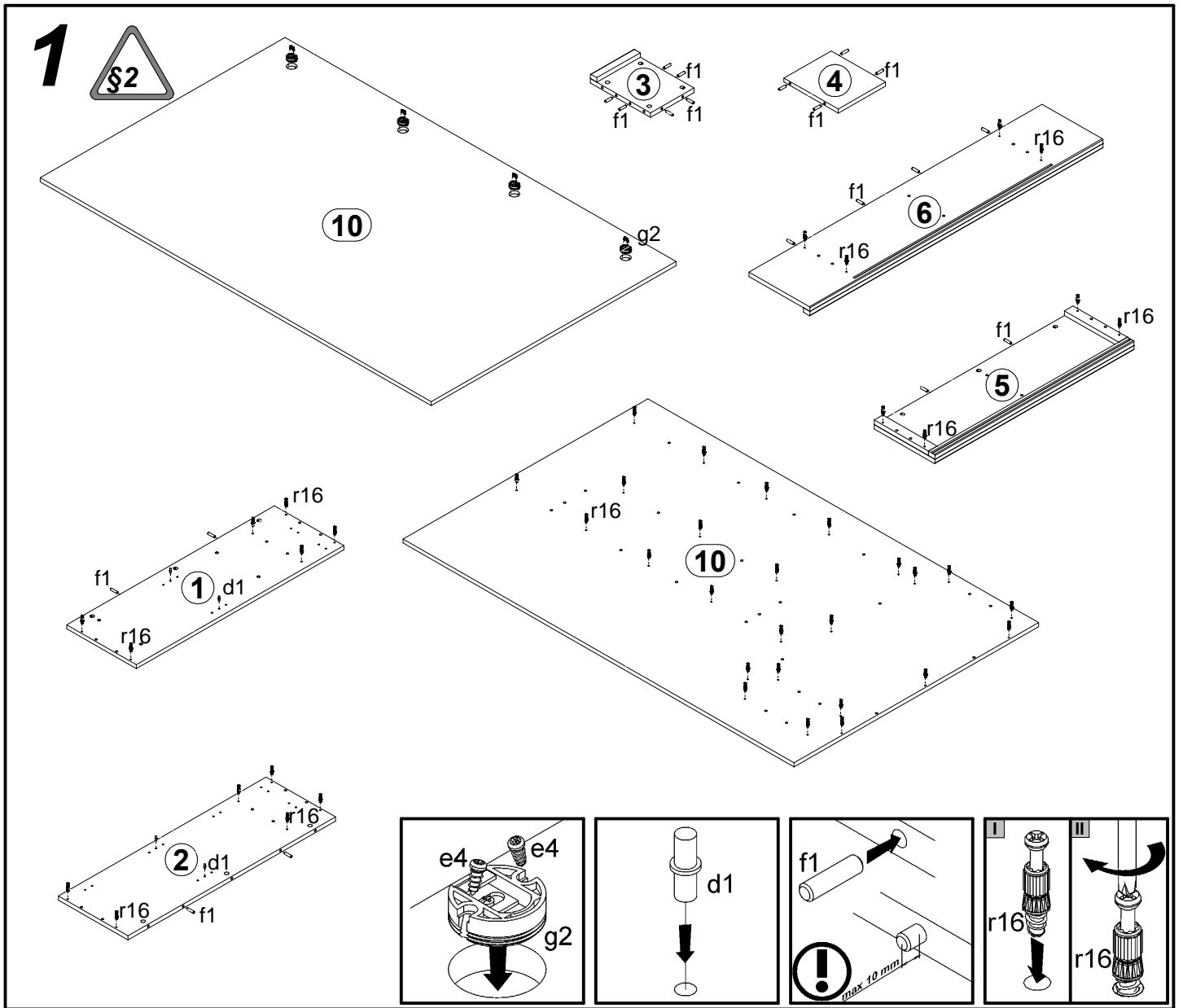


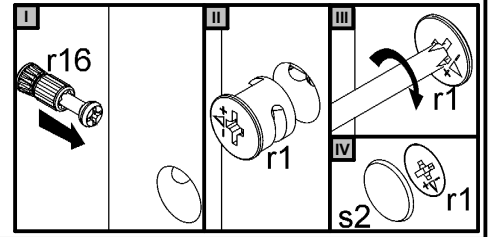
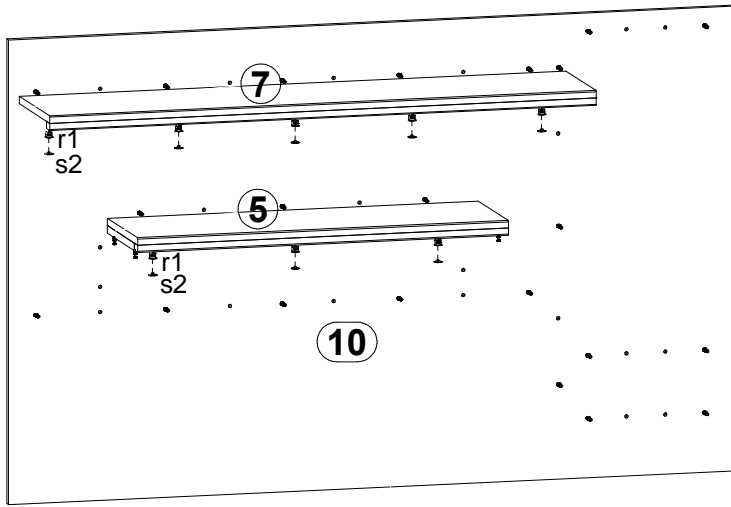
A	B	C	D	
1	S64-127	955	320	3/4
2	S64-128	955	320	3/4
3	S64-129	200	277	1/4
4	S64-130	218	250	3/4
5	S64-213	915	280	1/4
6	S64-214	1348	280	1/4
7	S64-215	1348	280	1/4
8	S64-301	417	300	3/4
9	S64-318	417	320	3/4
10	S64-412	1798	1126	2/4
11	S64-521	300	100	3/4
12	S64-522	300	100	3/4
13	S64-523	377	86	3/4
14	S64-916	387	306	3/4



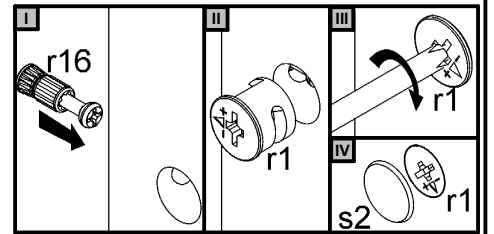
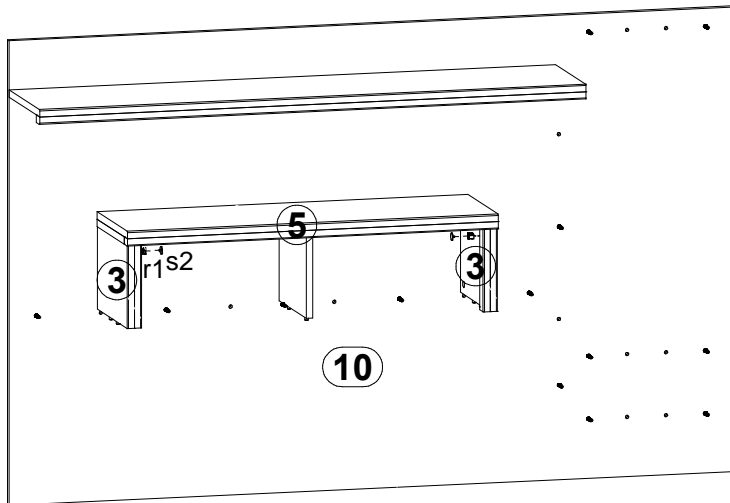
4x φ5x17 mm <b>d1</b>	4x φ7x50 mm <b>e1</b>	8x φ6x13 mm <b>e3</b>	8x φ5x11 mm <b>e4</b>	48x φ8x30 mm <b>f1</b>	4x φ6.5x40 mm <b>f25</b>	4x φ10x50 mm <b>f35</b>	4x <b>g2</b>	4x <b>l1</b>
4x φ5x60 mm <b>p75</b>	45x φ15x12mm #16 <b>r1</b>	4x φ12x10.5mm #12 <b>r15</b>	49x <b>r16</b>	4x <b>s1</b>	31x ø16 <b>s2</b>	1x 300 mm <b>w46/L</b>	1x 300 mm <b>w46/P</b>	1x <b>z1</b>



# 3



# 4



# 5

