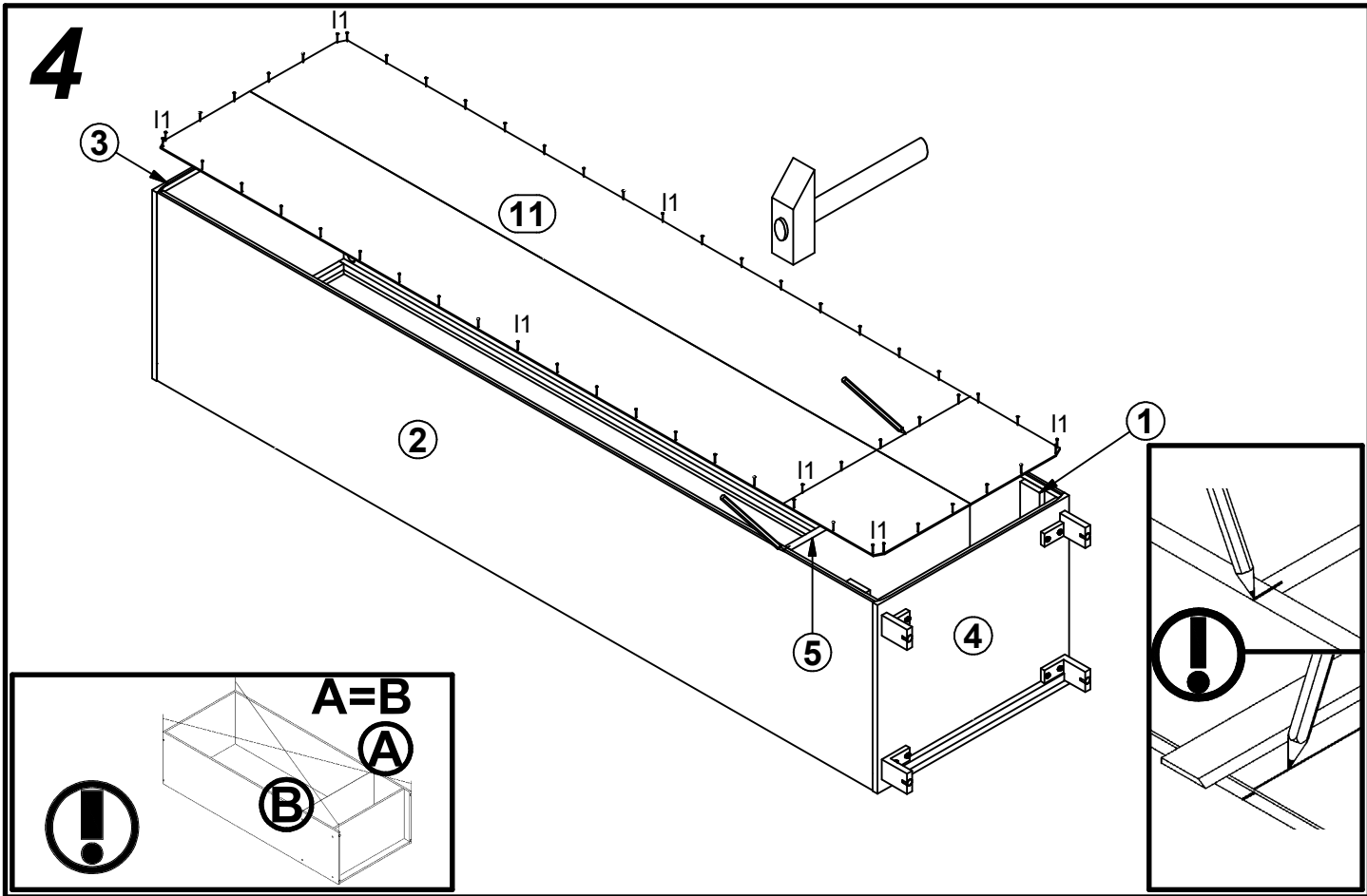
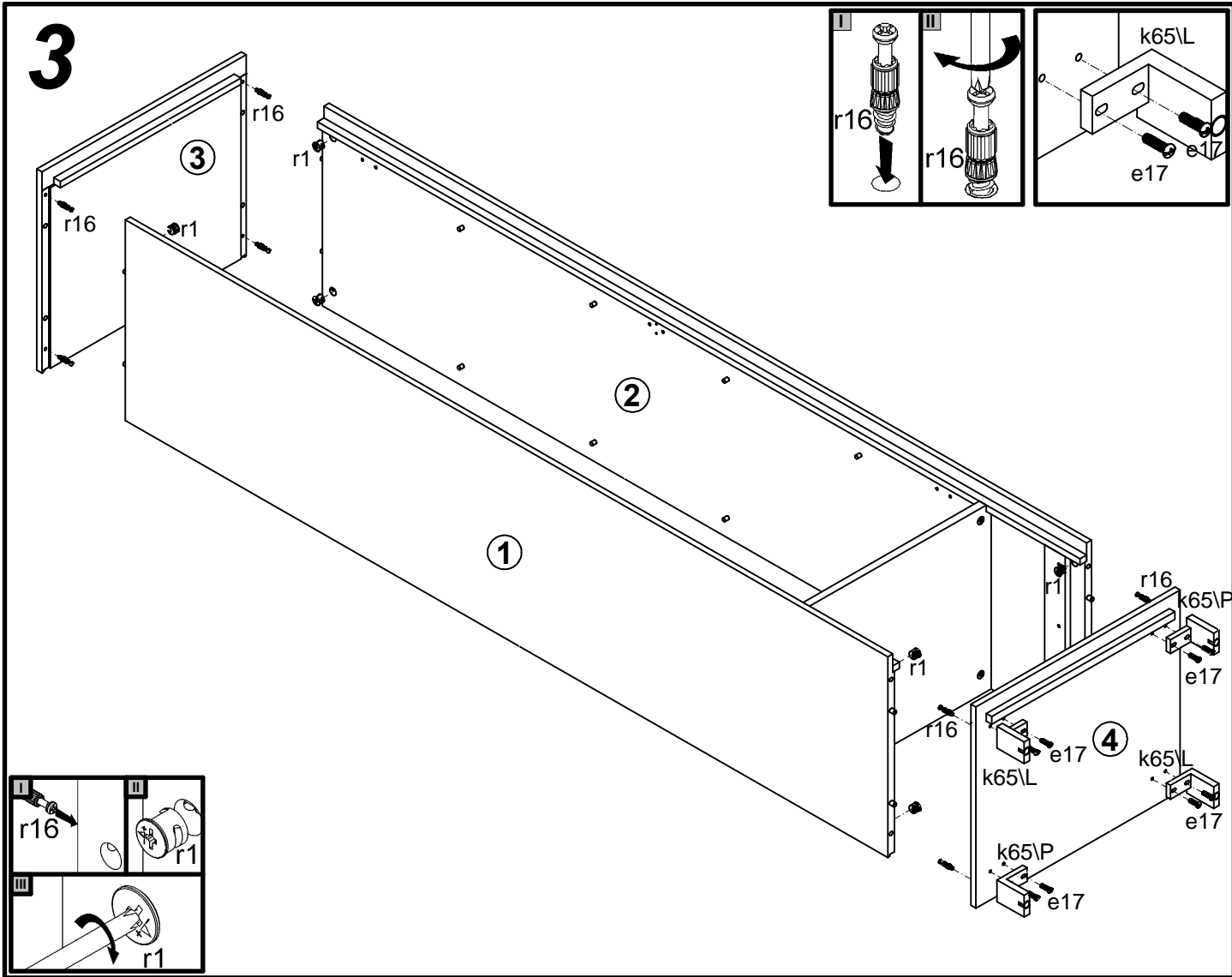


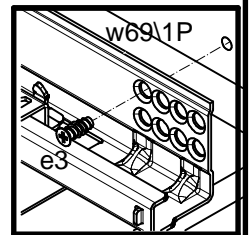
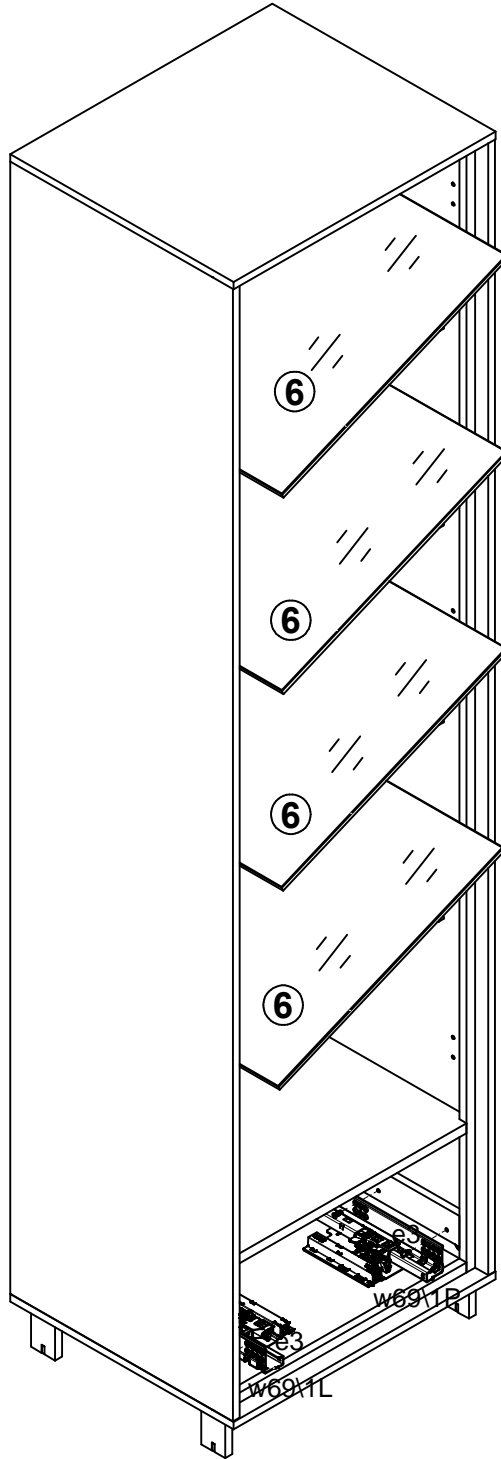
A	B	C	D	
1	S74-109	1833	417	1/5
2	S74-115	1833	417	1/5
3	S74-205	491	418	2/5
4	S74-211	491	418	2/5
5	S74-307	458	388	2/5
6	S74-311	365	458	3/5
7	S74-512	350	160	2/5
8	S74-513	350	160	2/5
9	S74-515	390	145	2/5
10	S74-911	400	357	2/5
11	S74-9904	1845	479	1/5

16x $\phi 5 \times 17$ mm <b>d3</b>	4x $\phi 6 \times 13$ mm <b>e3</b>	8x $\phi 6.3 \times 20$ mm <b>e17</b>	12x $\phi 8 \times 30$ mm <b>f1</b>	4x $\phi 6.5 \times 40$ mm <b>f25</b>	2x <b>k65\L</b>	2x <b>k65\P</b>	55x <b>l1</b>	4x $\phi 3.5 \times 16$ mm <b>p38</b>
2x $\phi 2.9 \times 24$ mm <b>p50</b>	1x $\phi 3 \times 12$ mm <b>p54</b>	12x $\phi 15 \times 12$ mm #16 <b>r1</b>	4x $\phi 12 \times 10.5$ mm #12 <b>r15</b>	16x <b>r16</b>	4x $\phi 16$ <b>s2</b>	1x  360 mm <b>w69\1L</b>	1x  360 mm <b>w69\1P</b>	1x <b>w70\1L</b>
1x <b>w70\1P</b>	1x <b>w70\2L</b>	1x <b>w70\2P</b>	1x <b>z23\1</b>	1x <b>z23\2</b>	1x <b>z23\3</b>	1x <b>z24</b>	1x <b>n26\1</b>	1x $\phi 3.5 \times 16$ mm <b>p38</b>





# 5



# 6

