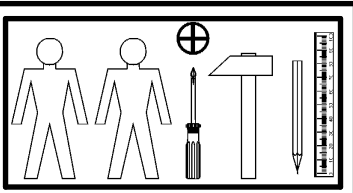
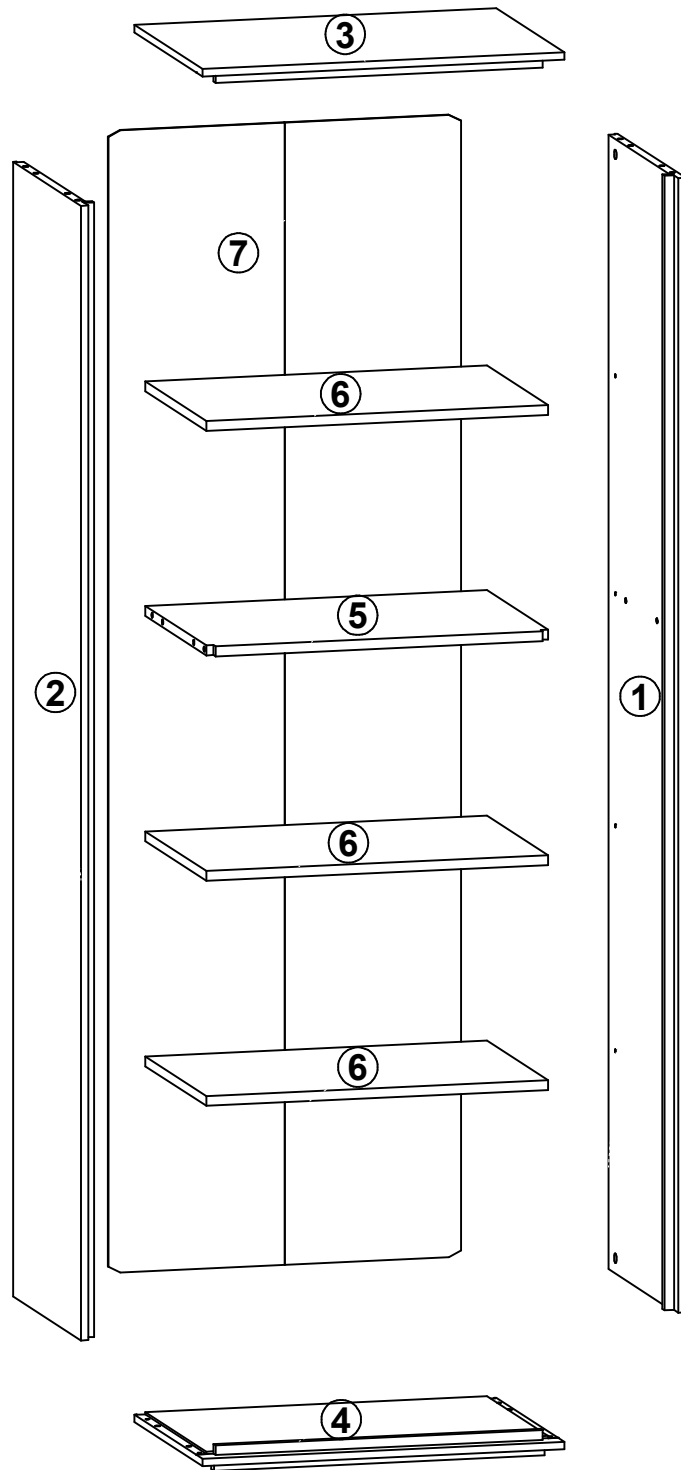
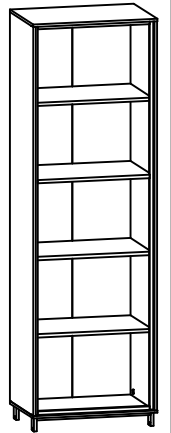


# MATEO

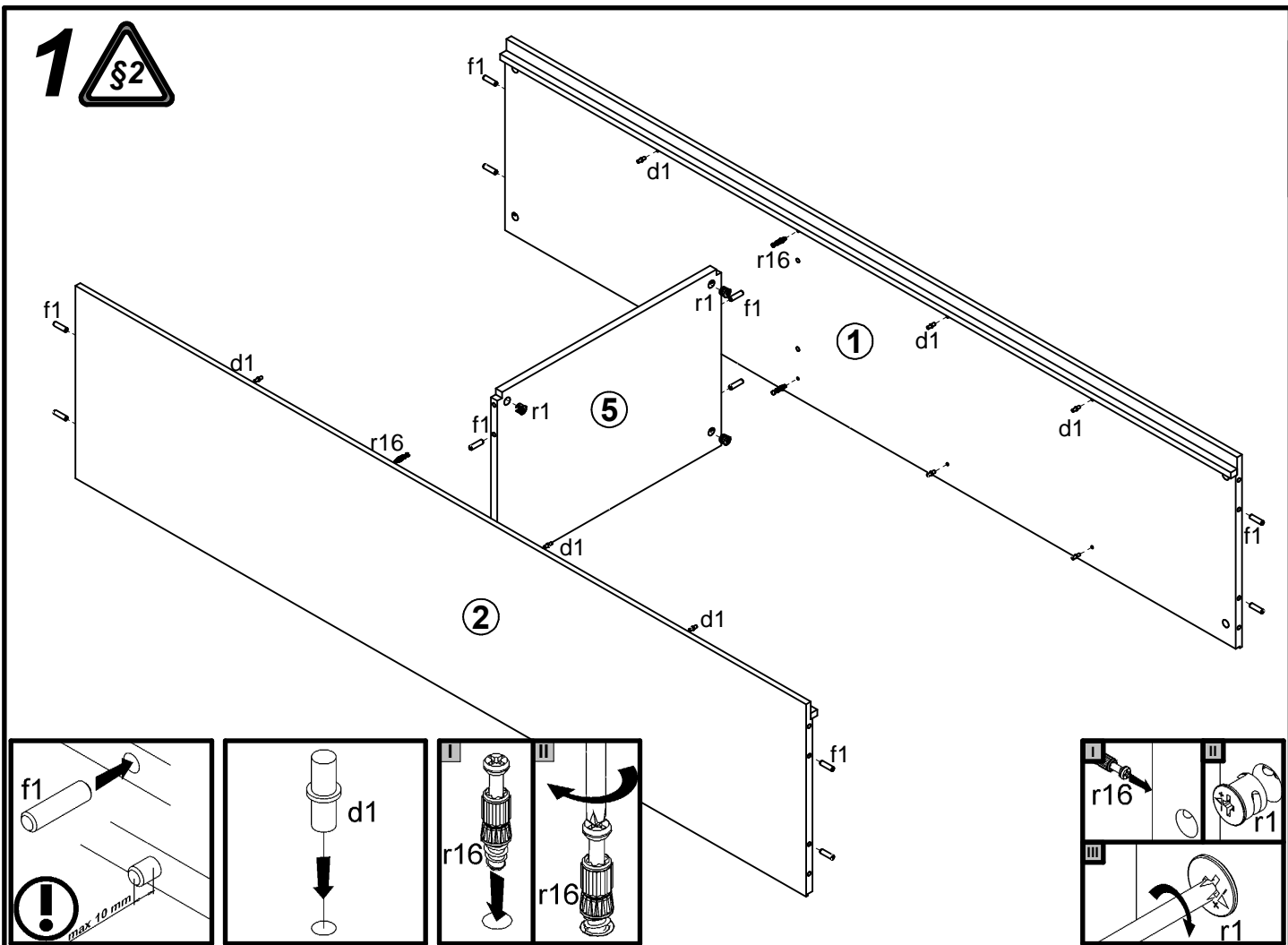
S74-REG/19/6

A	B	C	D
1	S74-110	1833	417 1/2
2	S74-121	1833	417 1/2
3	S74-206	595	418 2/2
4	S74-218	595	418 2/2
5	S74-305	562	388 2/2
6	S74-306	562	375 2/2
7	S74-9908	1845	581 1/2

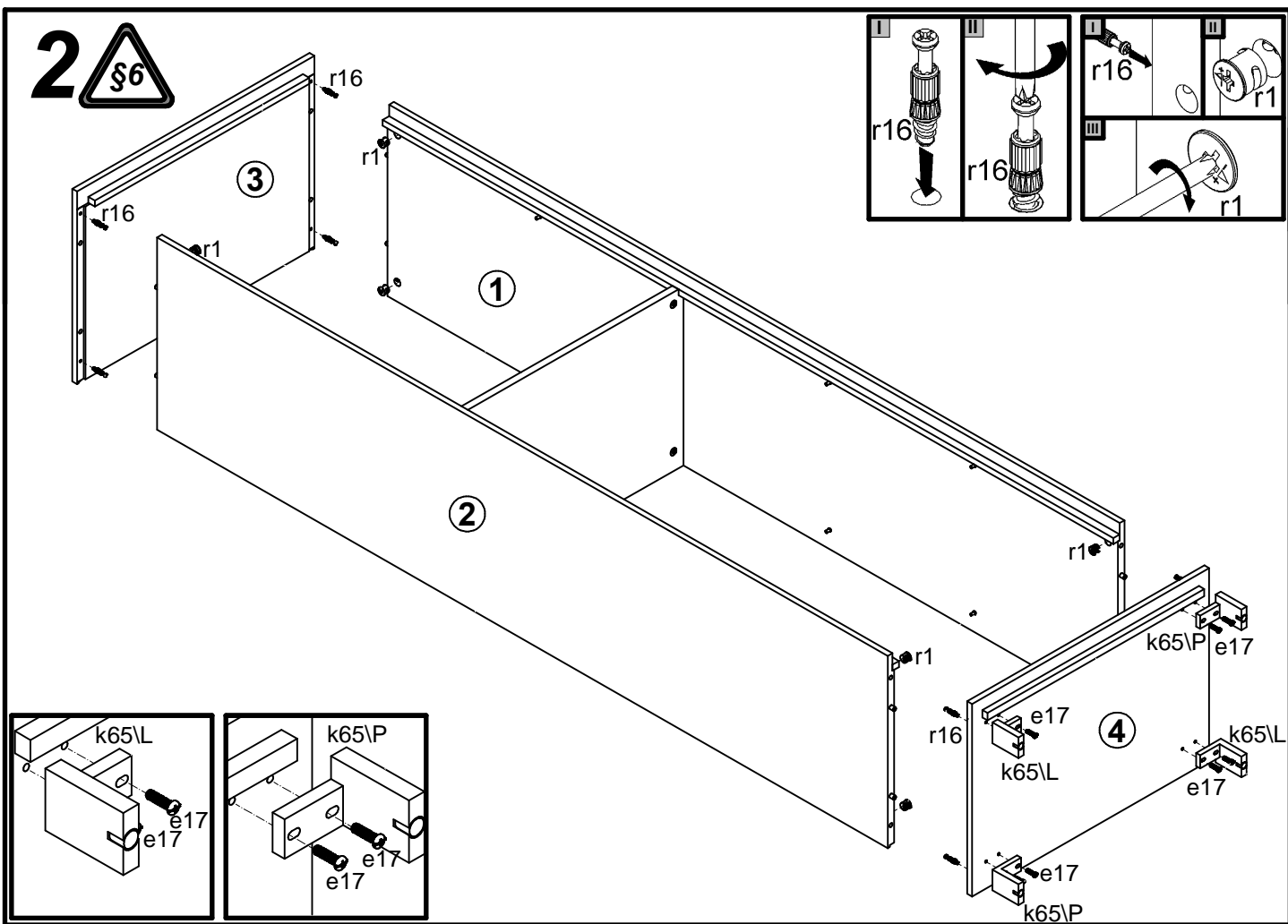


12x  φ5x17 mm <b>d1</b>	8x  φ6.3x20 mm <b>e17</b>	12x  φ8x30 mm <b>f1</b>	2x  <b>k65/L</b>	2x  <b>k65/P</b>	60x  <b>l1</b>	12x  φ1.5x12mm #16 <b>r1</b>	12x  <b>r16</b>	12x  ø16 <b>s2</b>
1x  <b>n26/l1</b>	1x  φ3.5x16 mm <b>p38</b>							

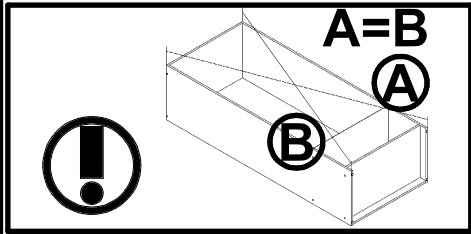
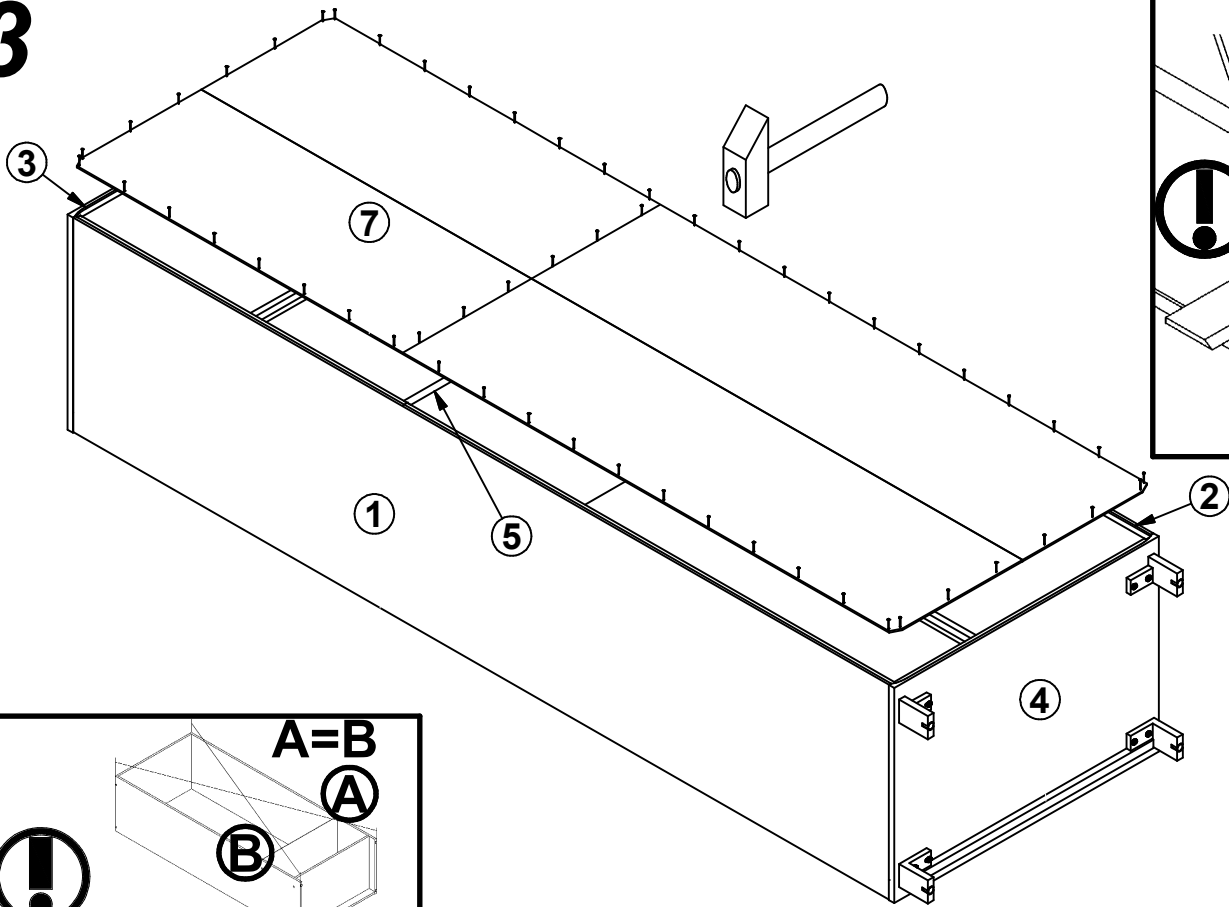
1 



2 



# 3



# 4

