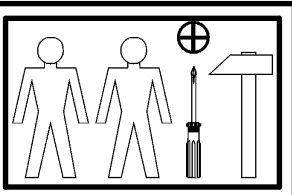
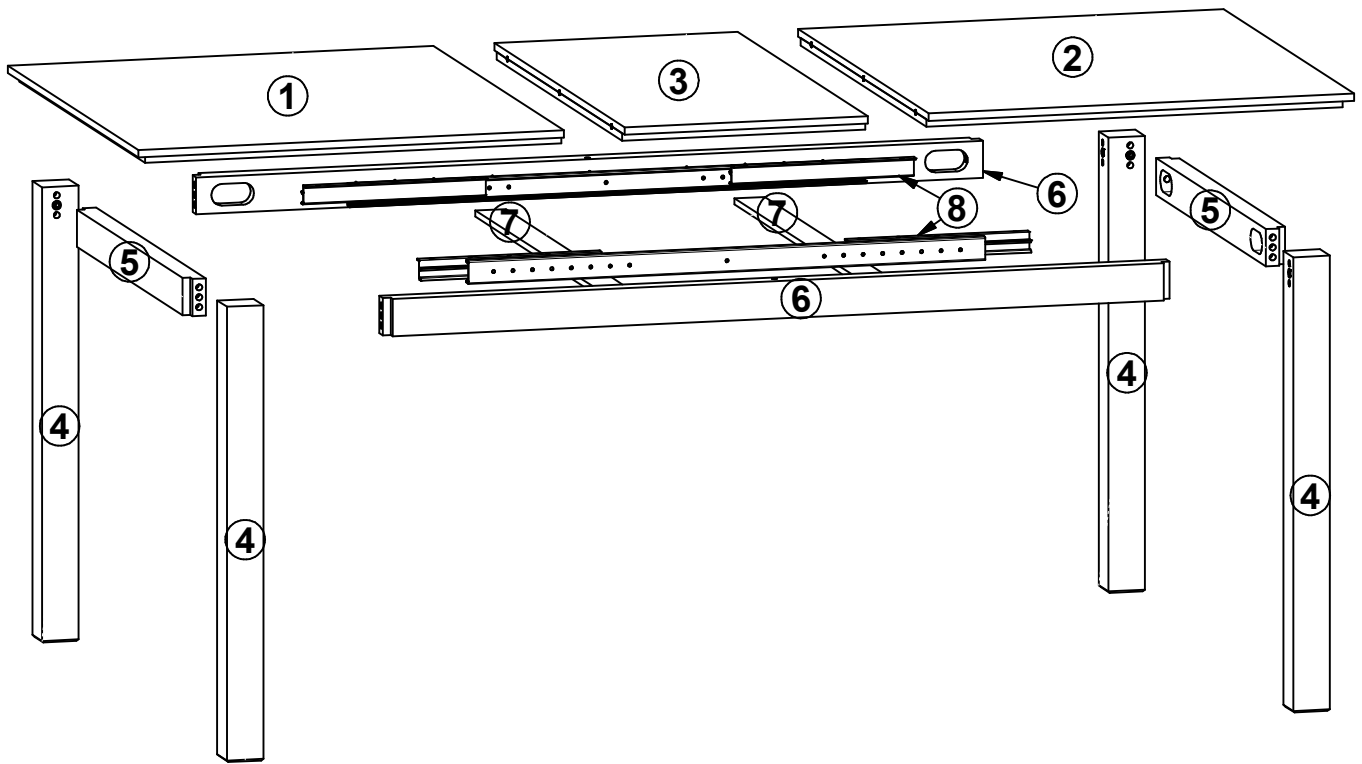
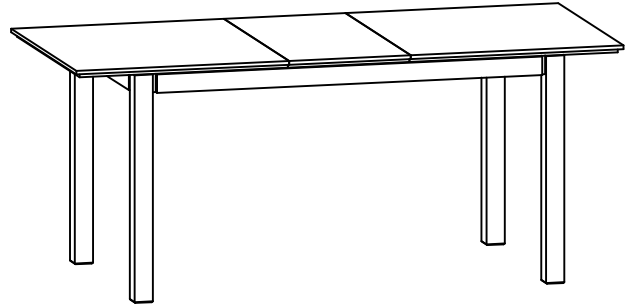


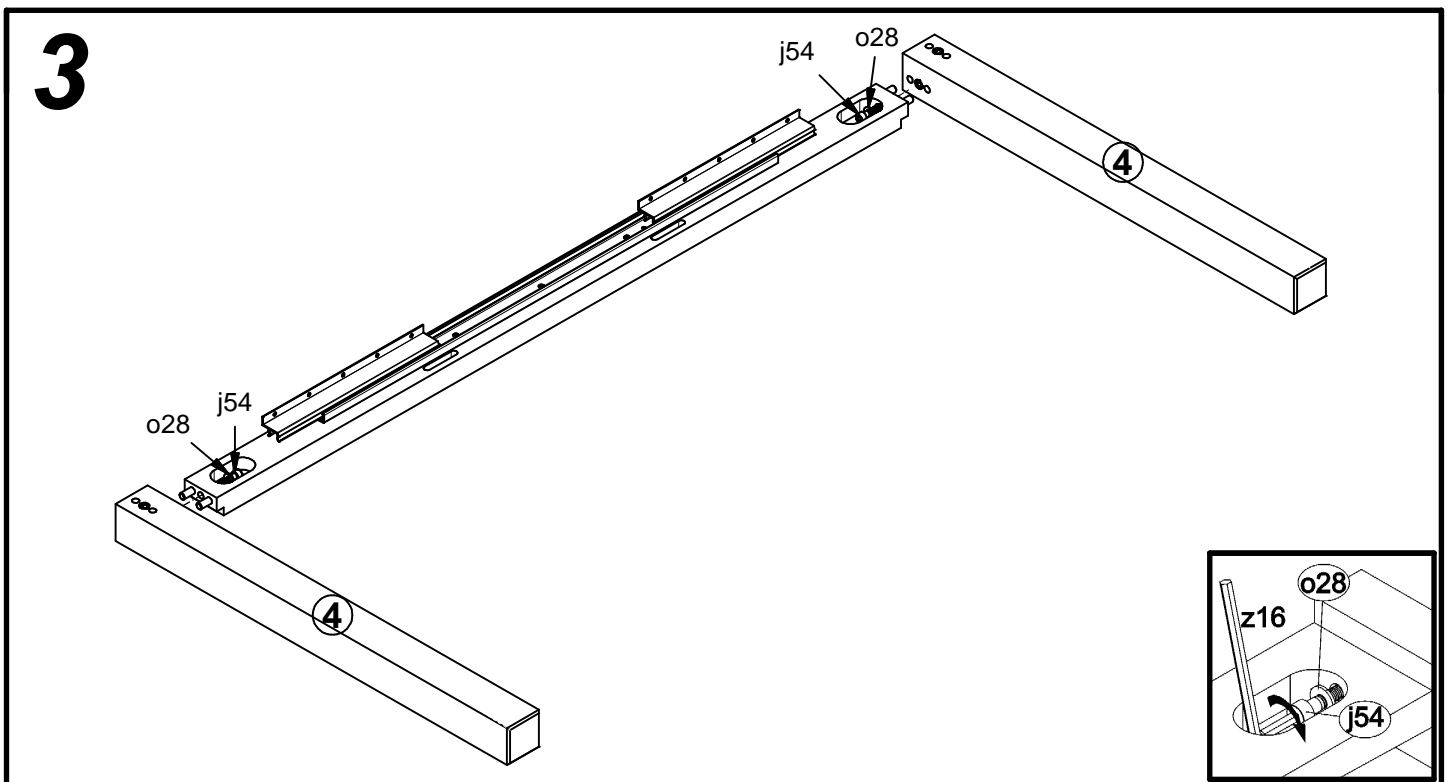
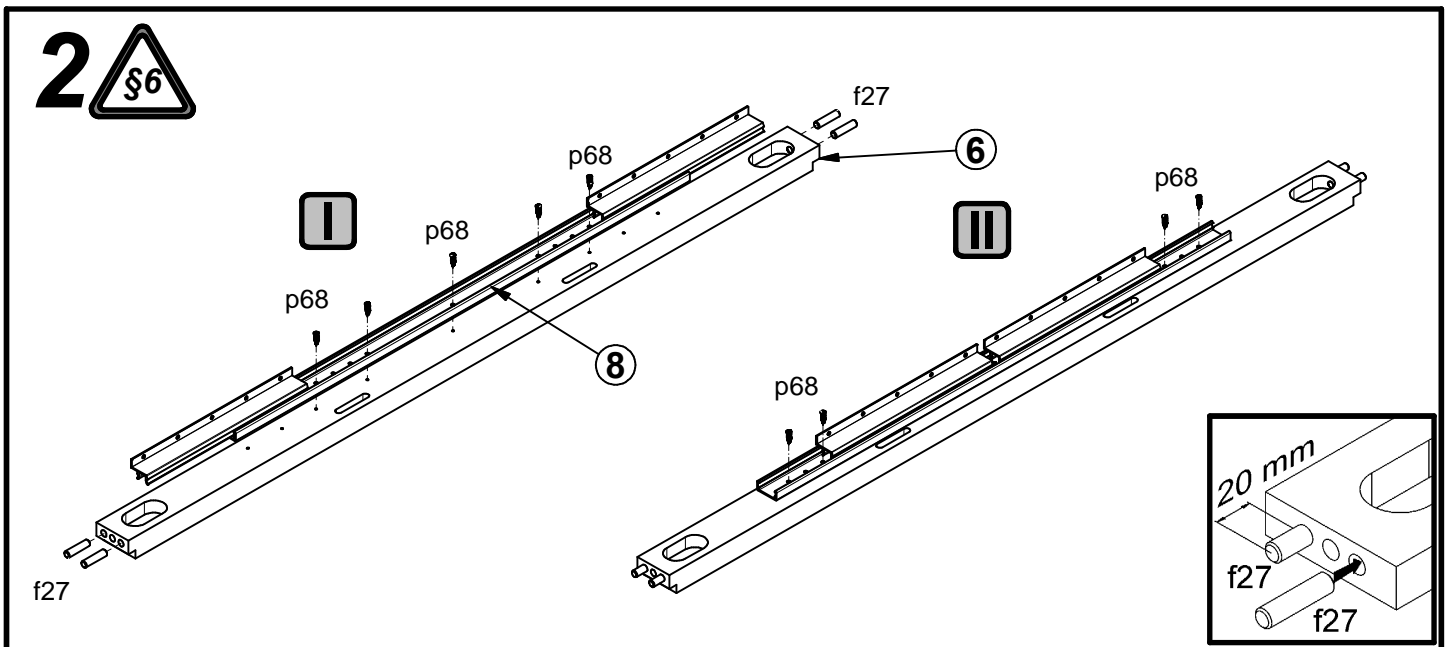
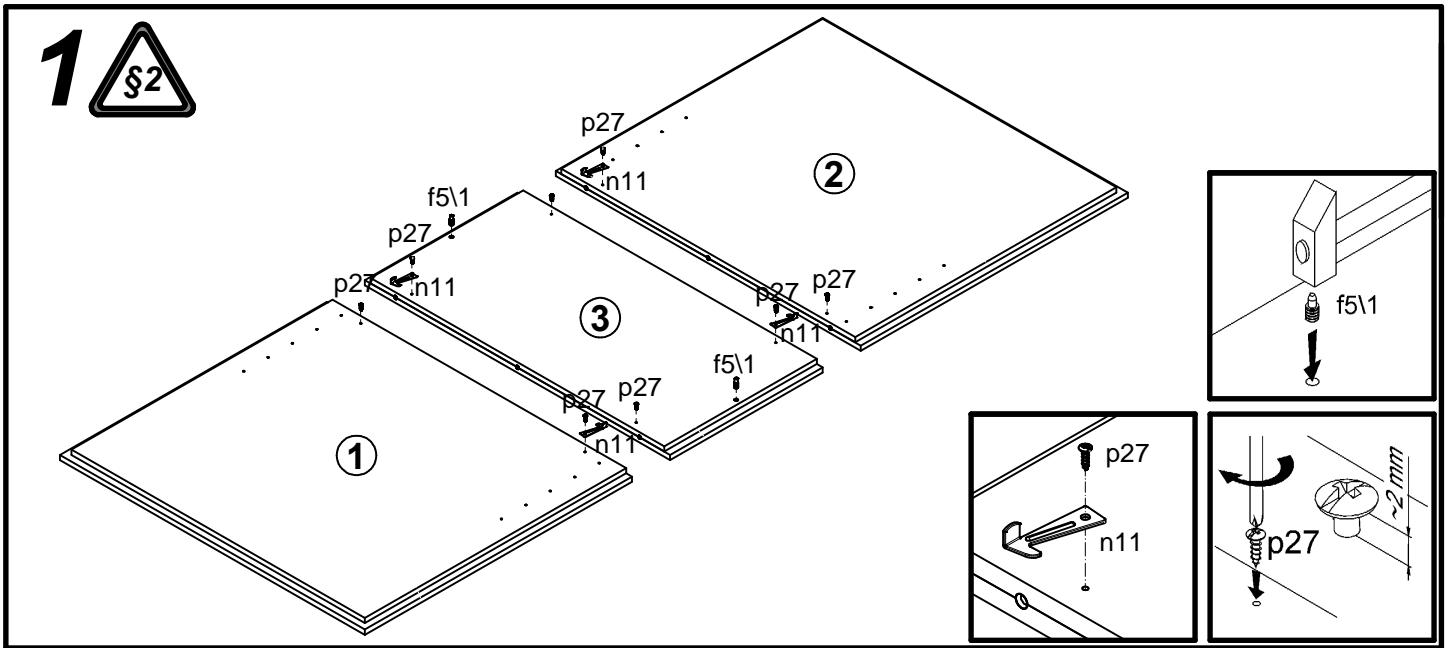
# MATEO

STO 8/18

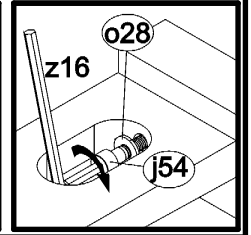
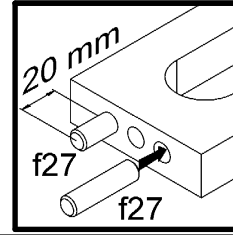
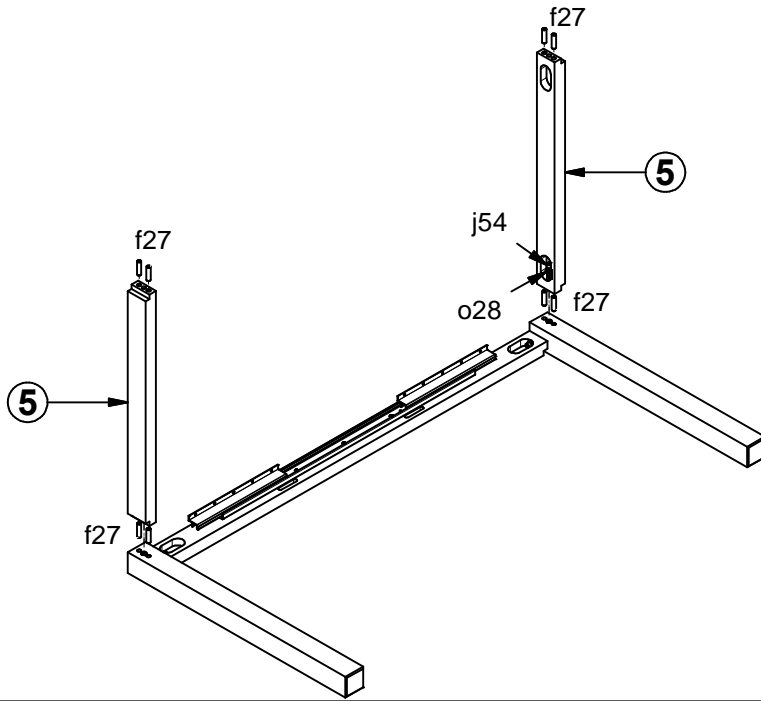
A	B	C	D	
1	S74-215	700	800	1/2
2	S74-219	700	800	1/2
3	S74-220	400	800	1/2
4	S74-403	736	60	2/2
5	S74-404	674	60	2/2
6	S74-405	1274	60	2/2
7	S74-406	746	50	2/2
8	w8	830		2/2



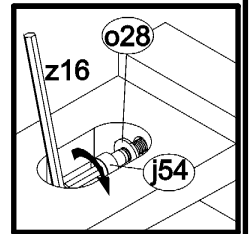
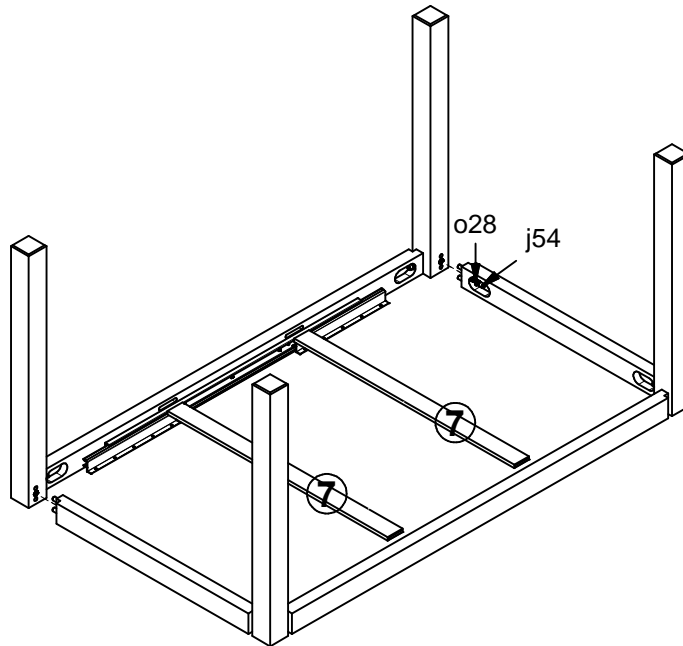
16x φ10x40 mm f27	2x metalowy f5\1	8x M8x40 mm j54	4x n11	8x φ8(φ17)x1.8 mm o28	8x φ3,5x13 mm p27	38x φ4x20 mm p68	1x 6mm z16
-------------------------	------------------------	-----------------------	-----------	-----------------------------	-------------------------	------------------------	------------------



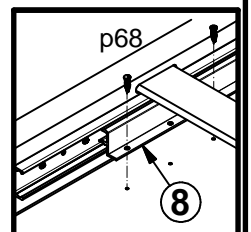
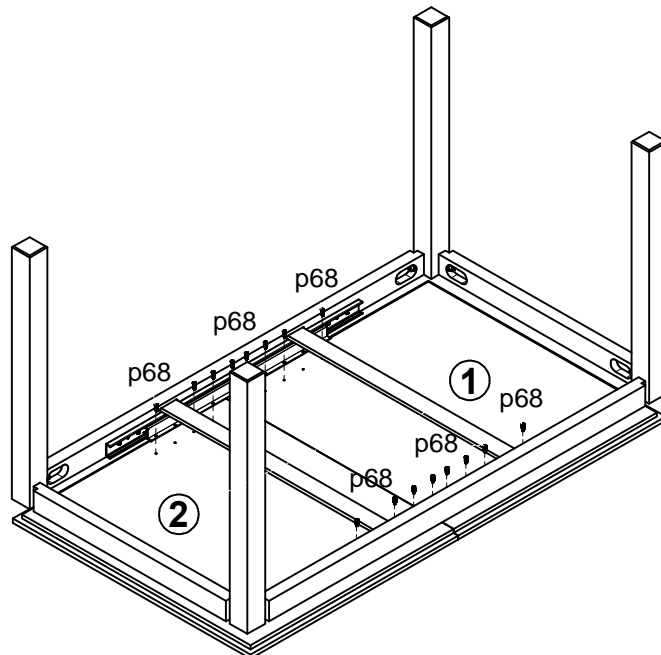
# 4



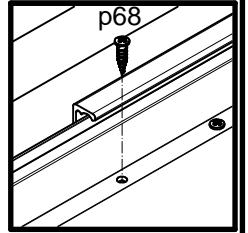
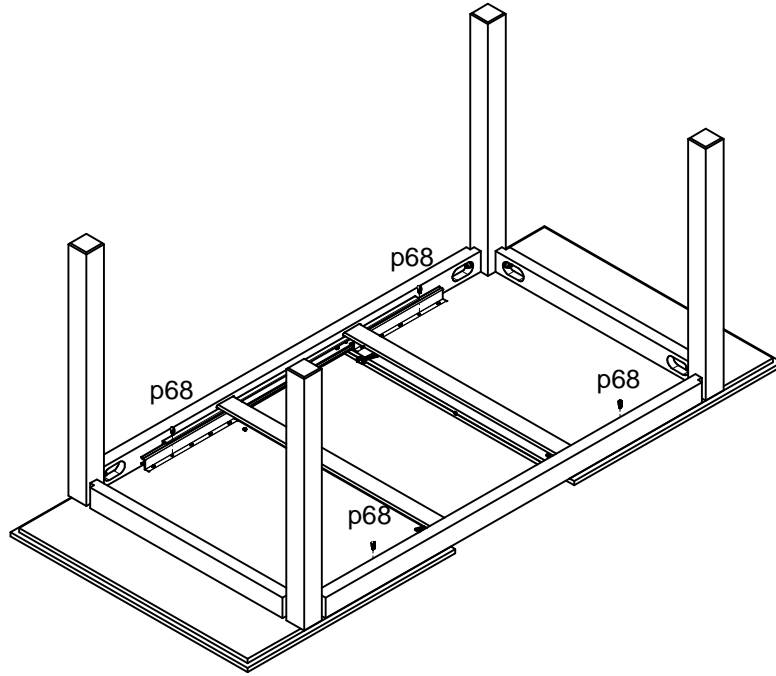
# 5



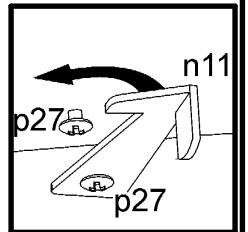
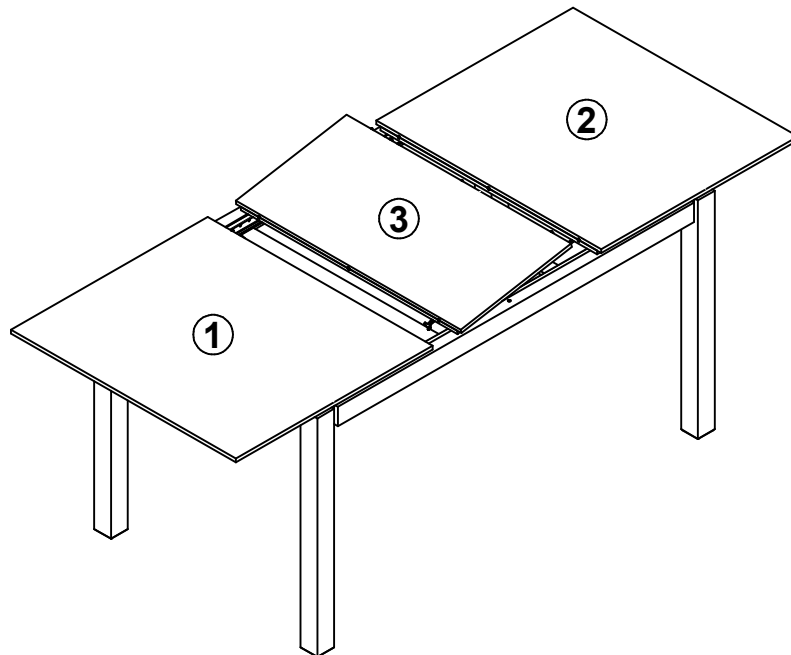
# 6



# 7



# 8



# 9

