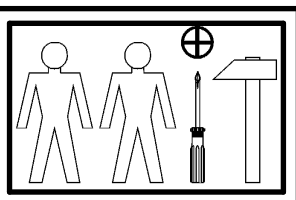
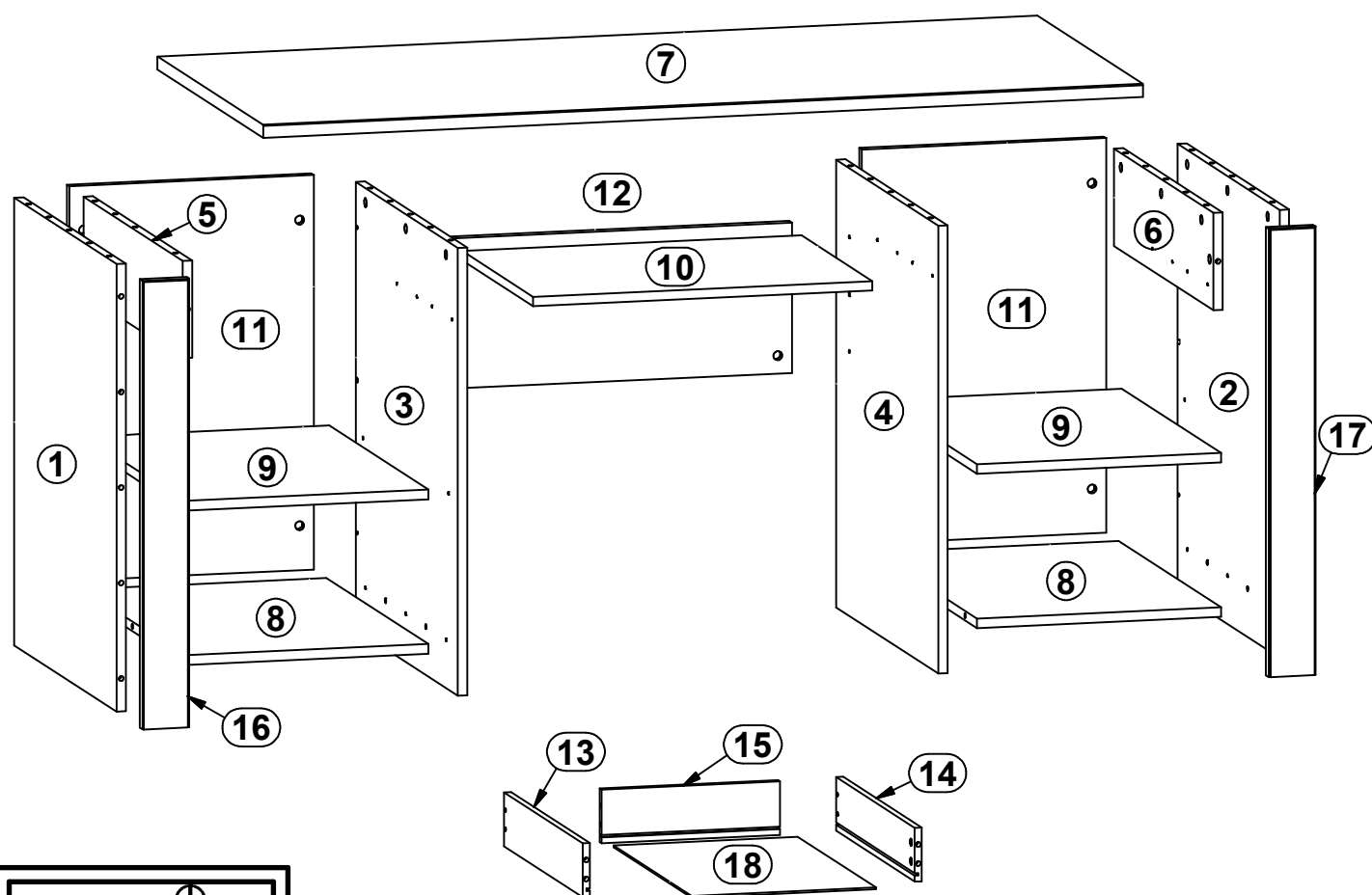
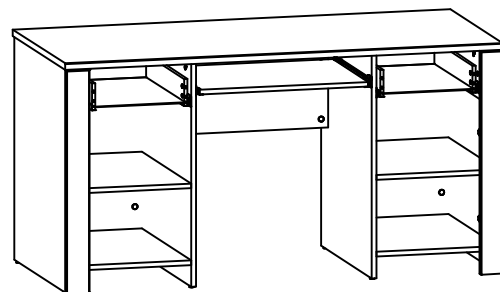


MEZO

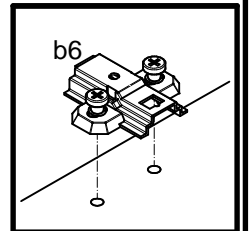
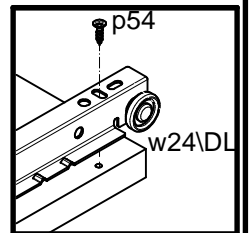
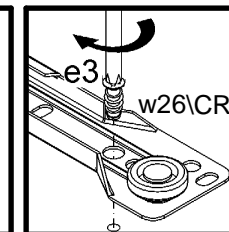
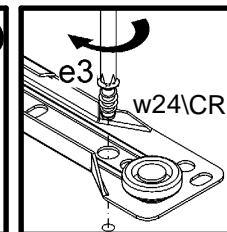
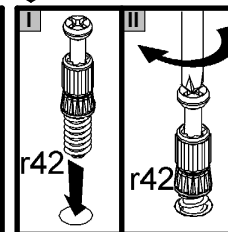
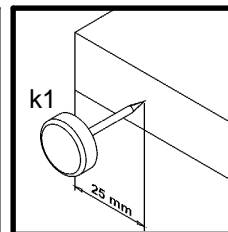
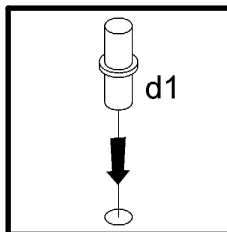
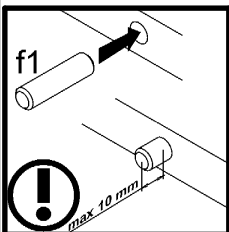
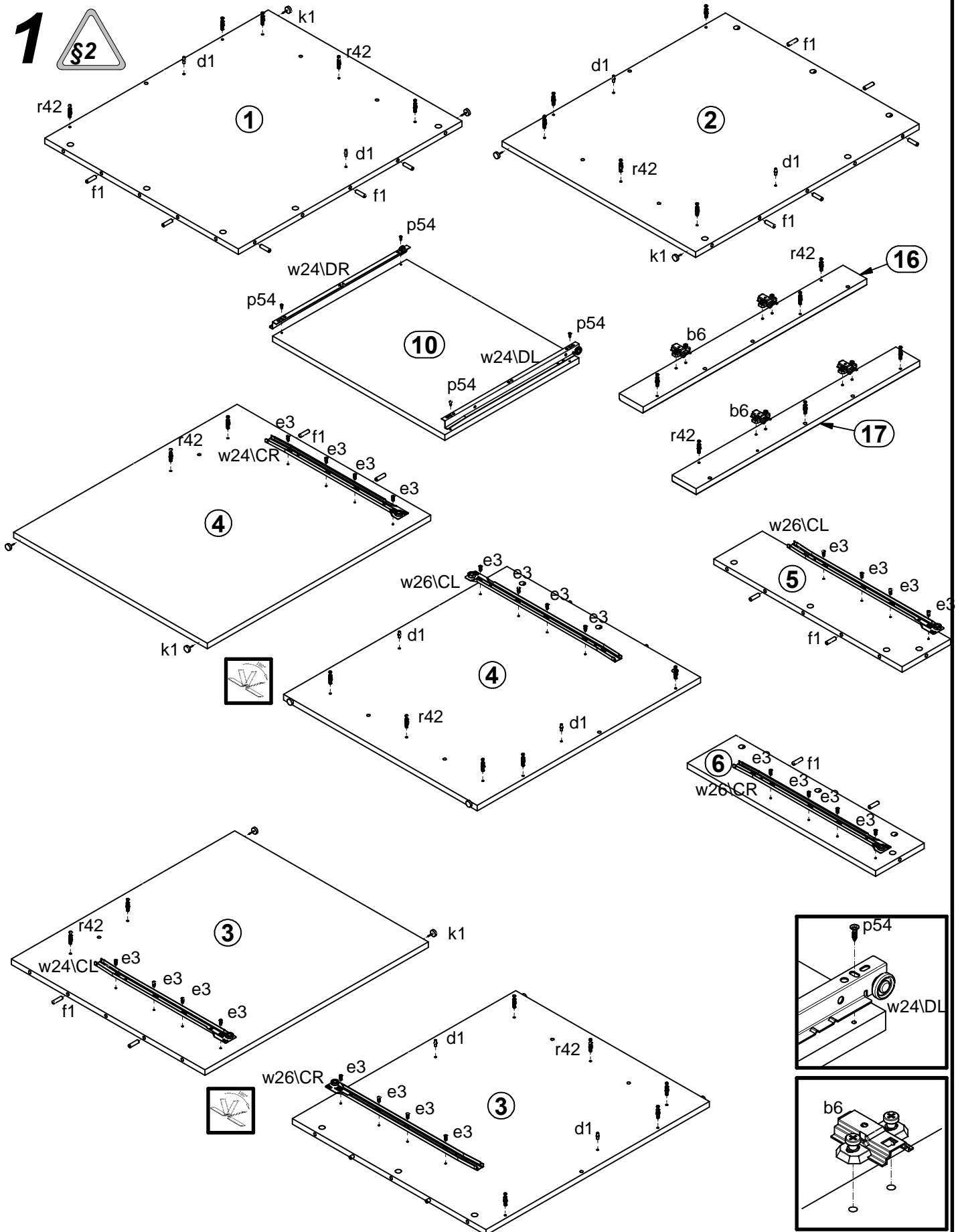
S82-BIU2D2S/8/15

A	B	C	D	A	B	C	D		
1	S82-147	750	650	1/3	10	S82-321	578	450	2/3
2	S82-148	750	650	1/3	11	S82-411	661	416	2/3
3	S82-149	750	650	1/3	12	S82-413	603	252	2/3
4	S82-150	750	650	1/3	13	S82-518	500	90	2/3
5	S82-151	163	632	2/3	14	S82-519	500	90	2/3
6	S82-152	163	632	2/3	15	S82-520	304	90	2/3
7	S82-214	1500	673	2/3	16	S82-585	751	80	1/3
8	S82-319	416	650	1/3	17	S82-586	751	80	1/3
9	S82-320	416	632	2/3	18	S82-913	314	498	2/3

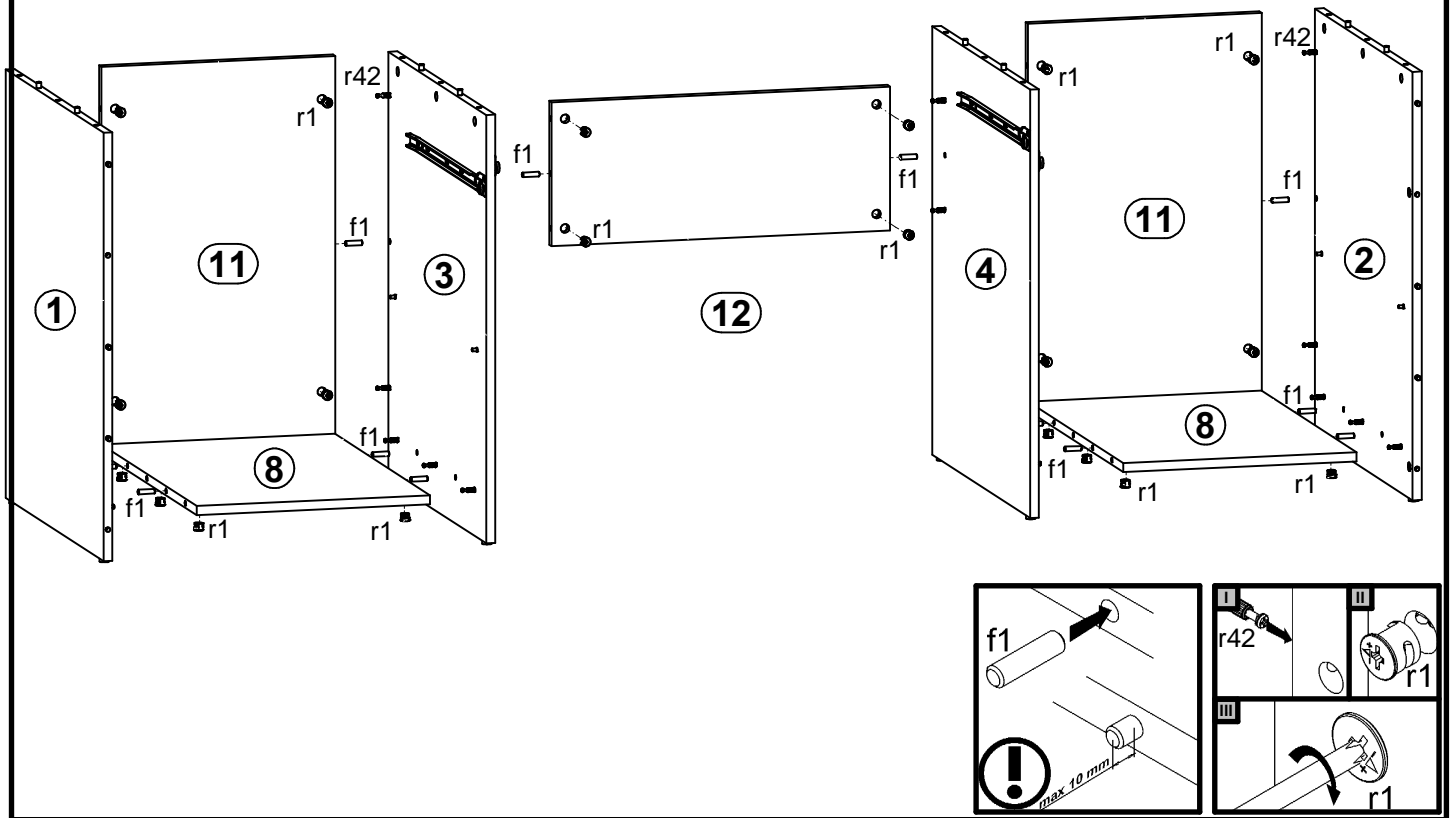


4x a56	4x b6	8x $\phi 5 \times 17 \text{ mm}$ d1	24x $\phi 6 \times 13 \text{ mm}$ e3	32x $\phi 8 \times 30 \text{ mm}$ f1	8x $\phi 6.5 \times 40 \text{ mm}$ f25	8x k1	8x $\phi 3.5 \times 15 \text{ mm}$ p51	12x $\phi 3 \times 12 \text{ mm}$ p54
48x $\phi 1.5 \times 12 \text{ mm}$ #16 r1	8x $\phi 1.2 \times 10.5 \text{ mm}$ #12 r15	56x r42	8x $\phi 16$ s2	1x 450 mm w24\CL	1x 450 mm w24\DL	1x 450 mm w24\CR	1x 450 mm w24\DR	2x 500 mm w26\CL
2x 500 mm w26\DL	2x 500 mm w26\CR	2x 500 mm w26\DR						

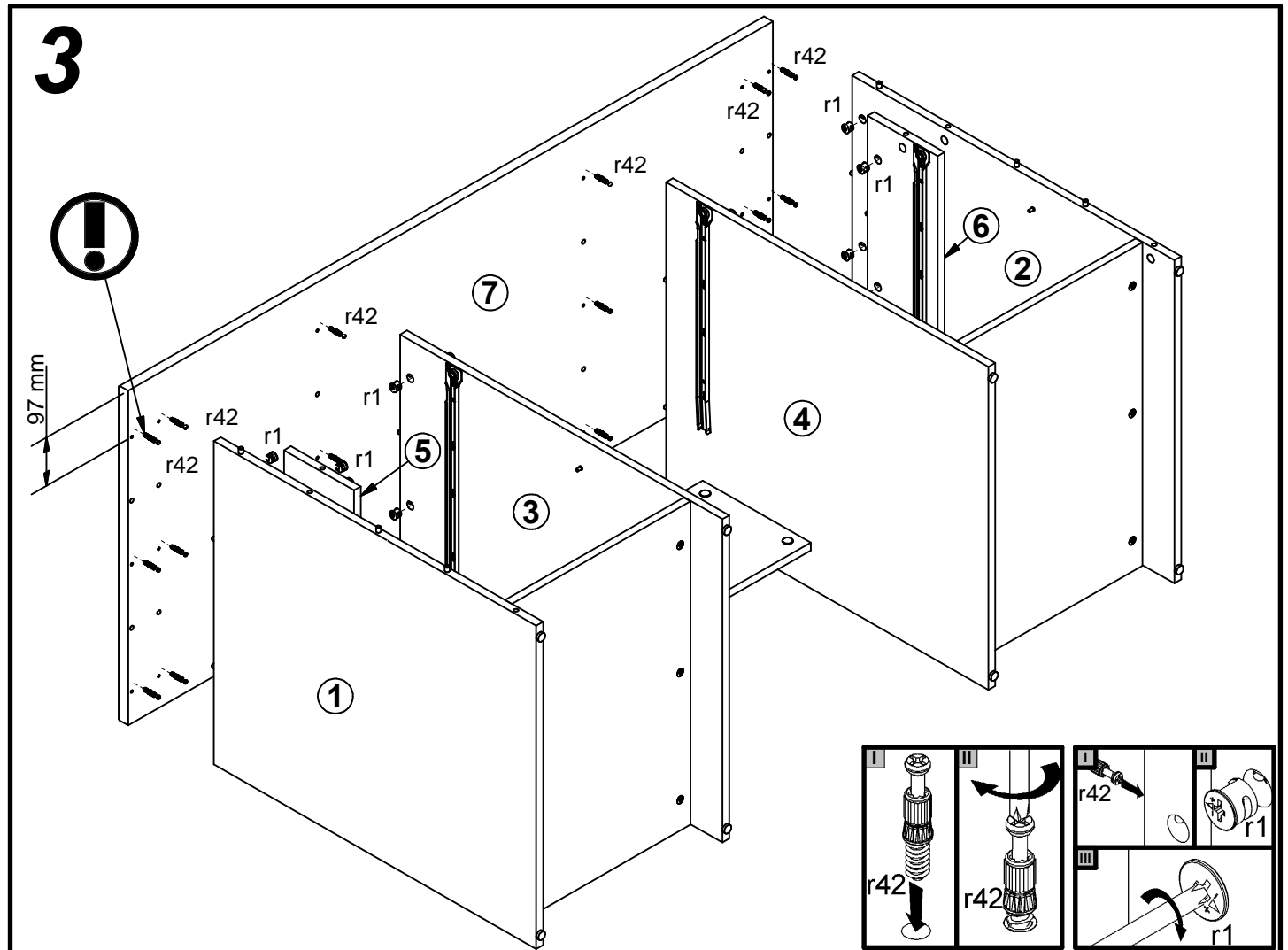
1 



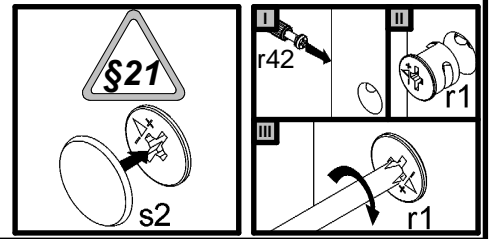
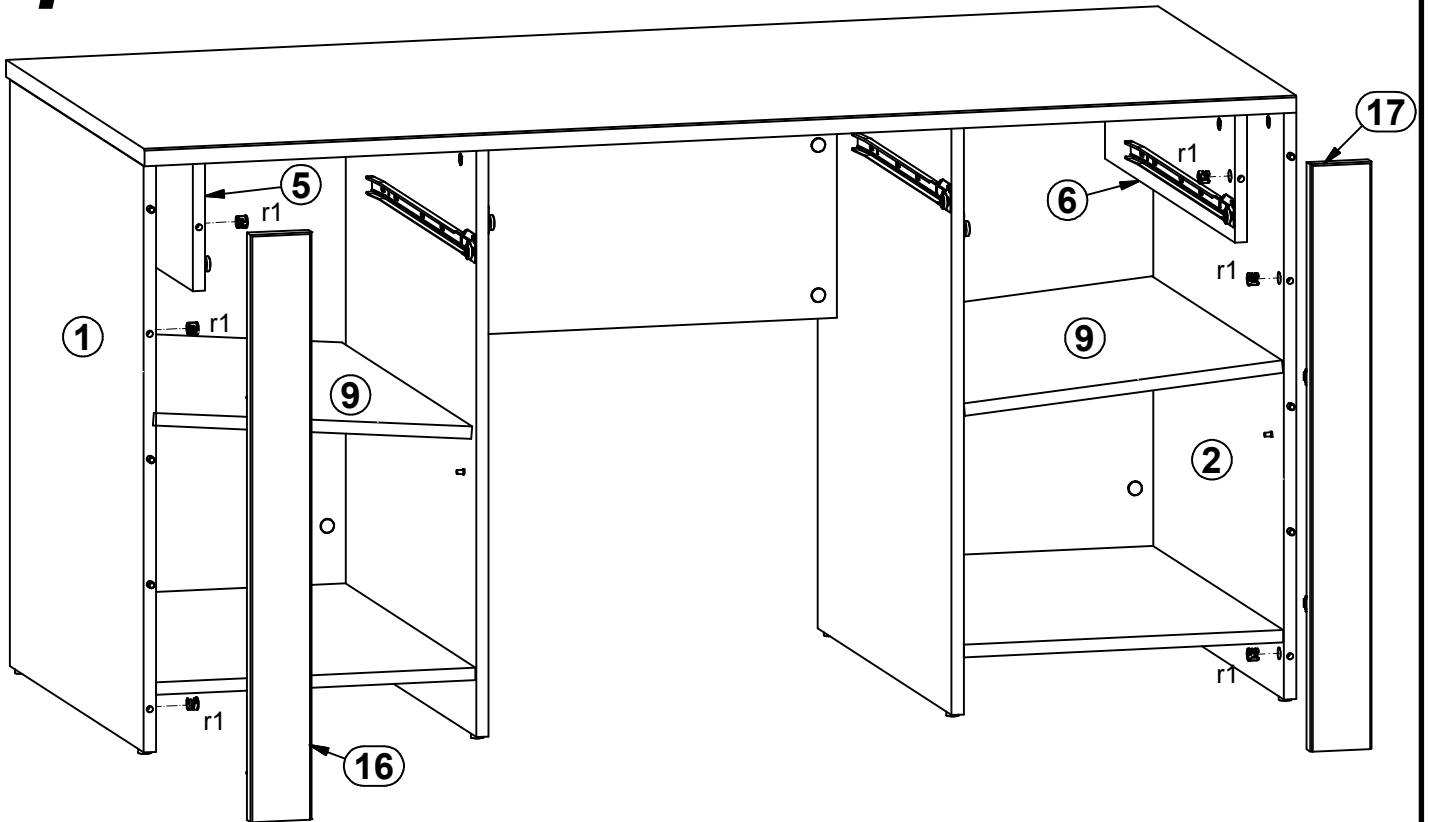
2



3



4



5

