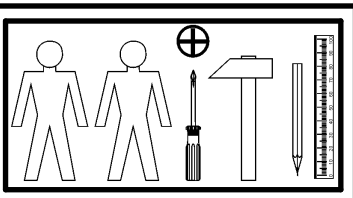
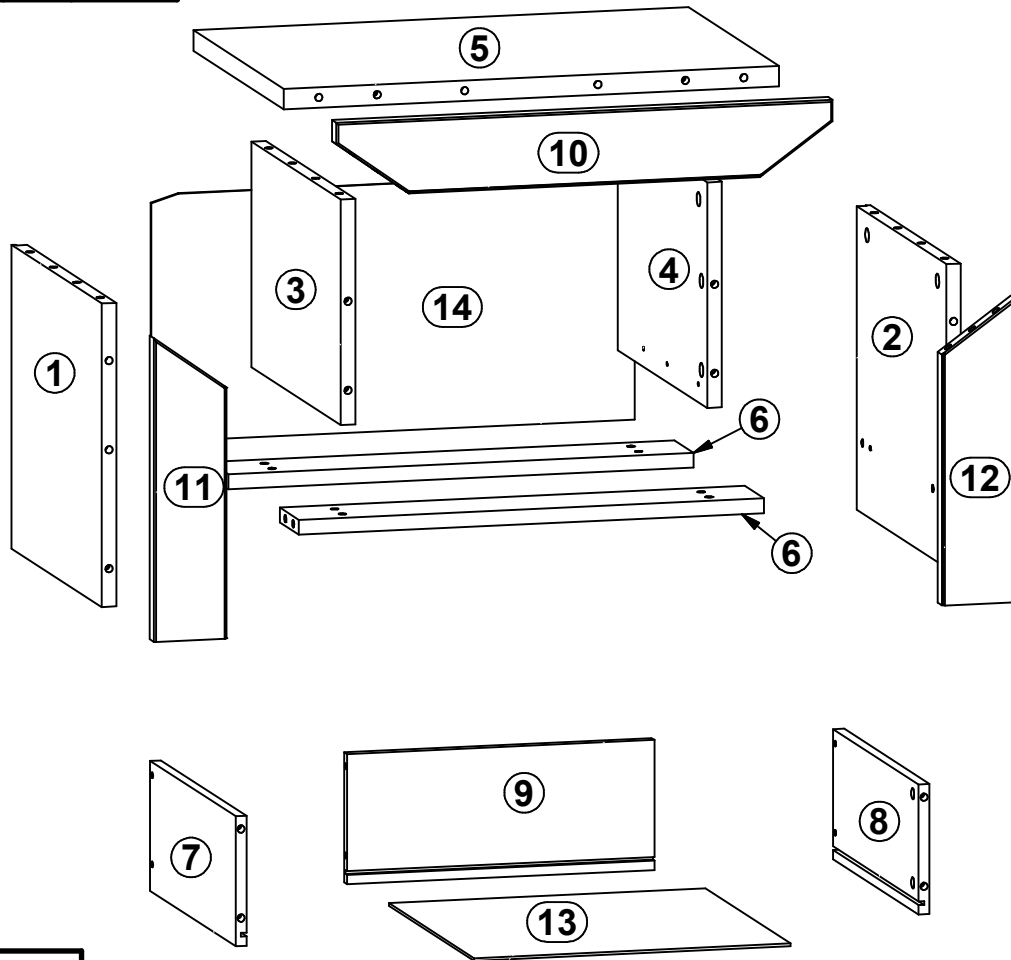
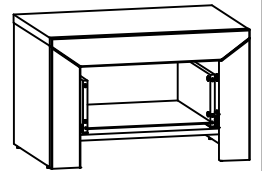
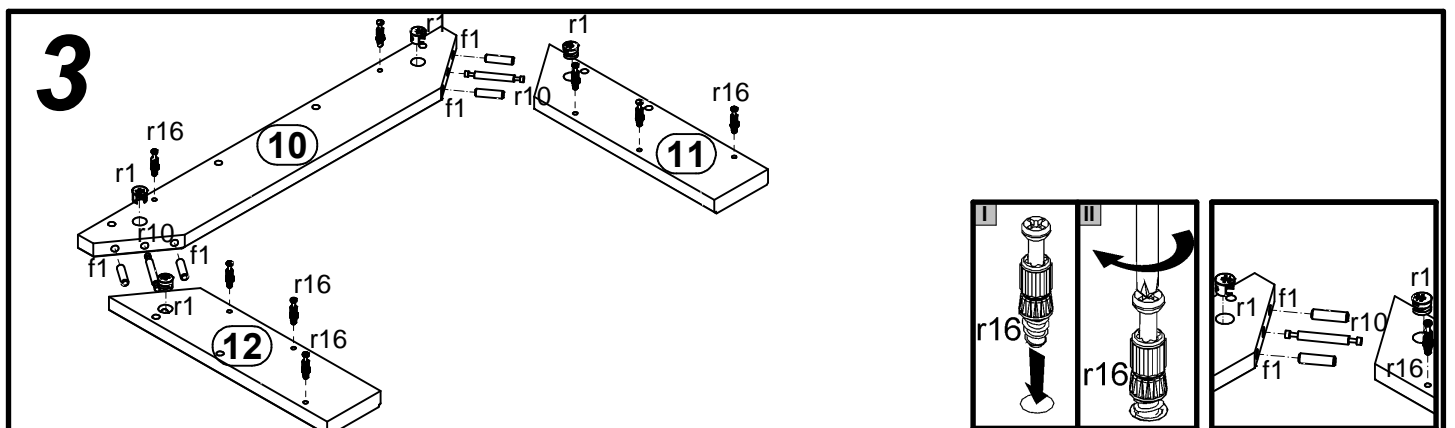
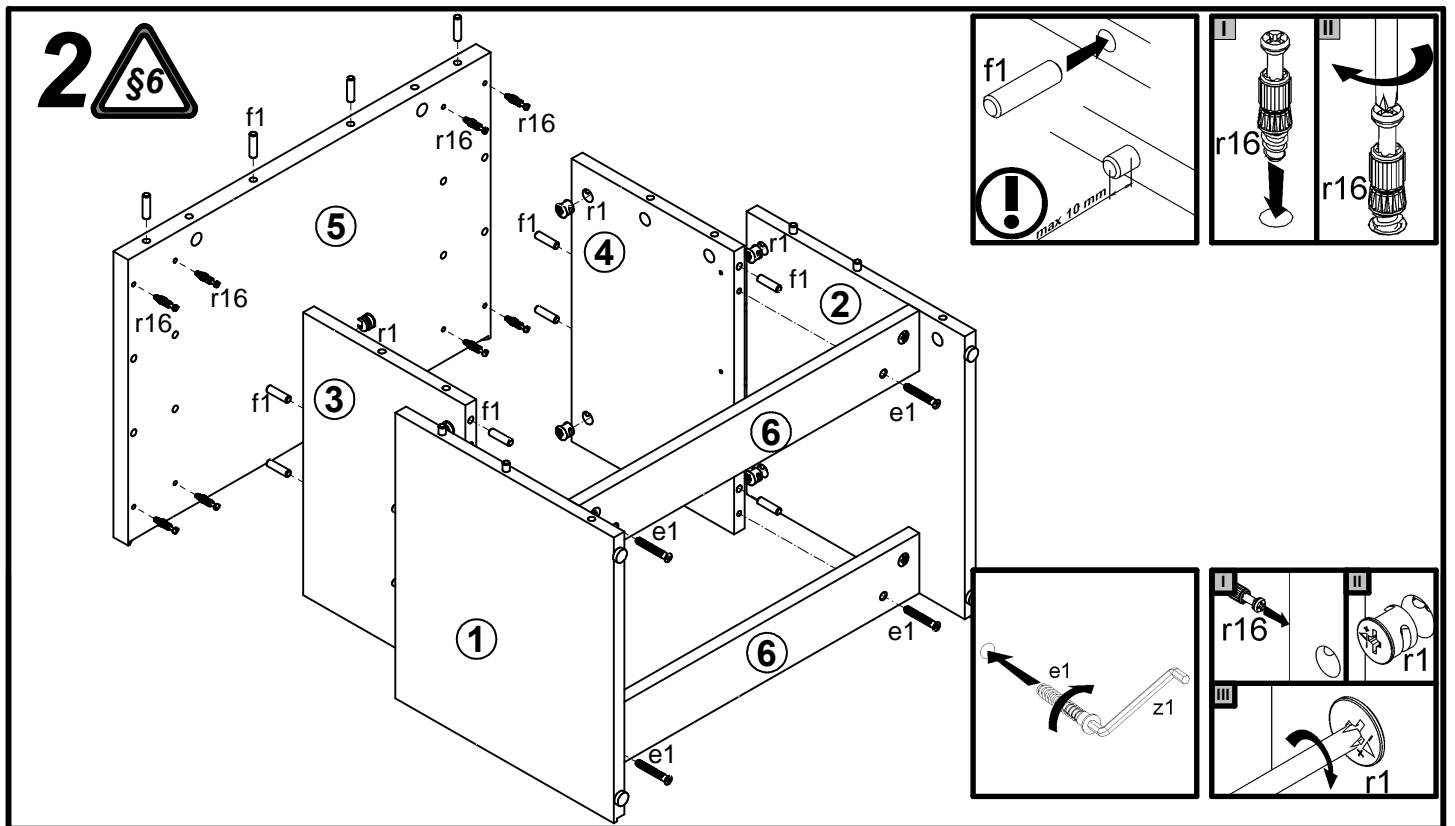
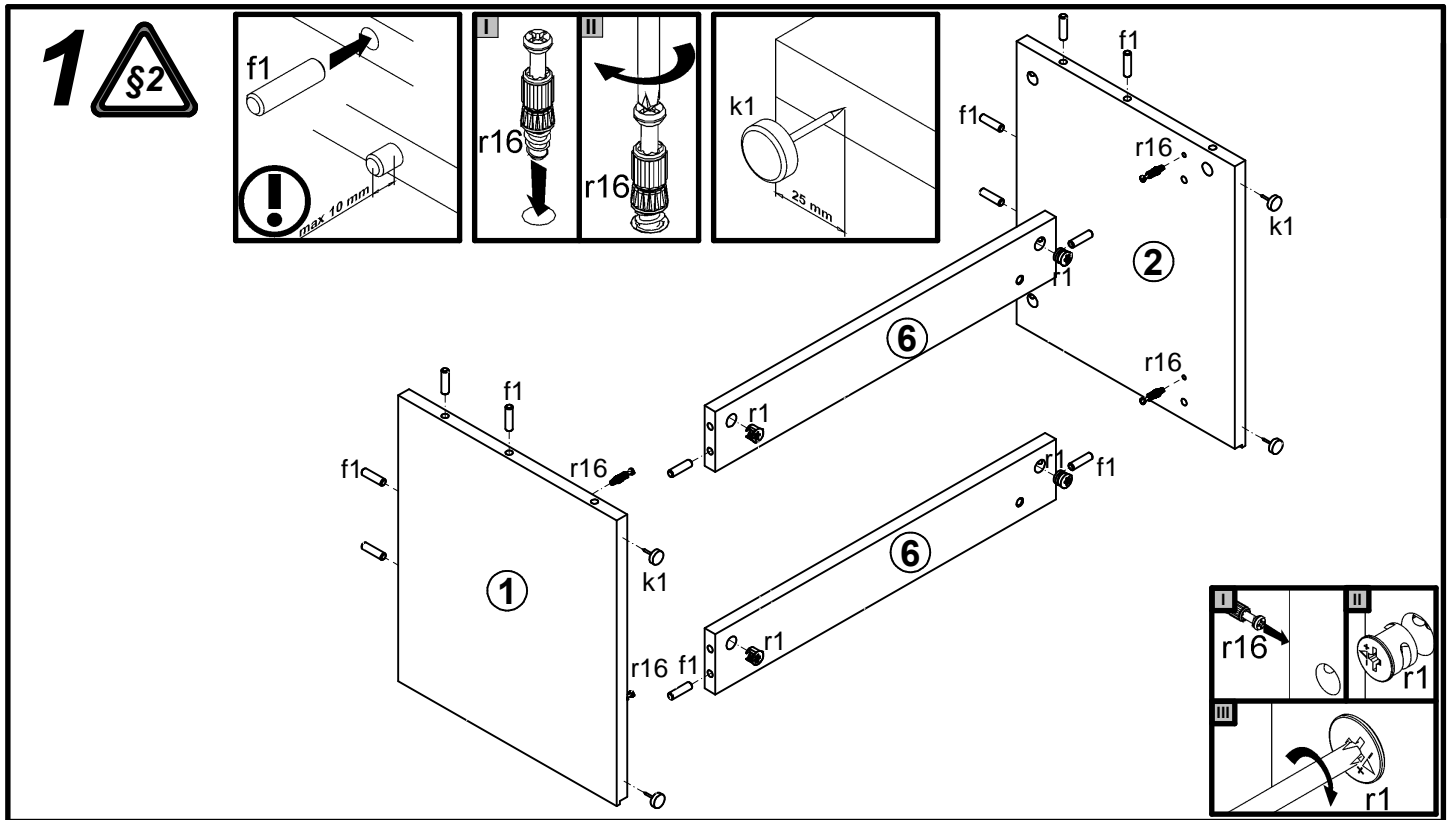


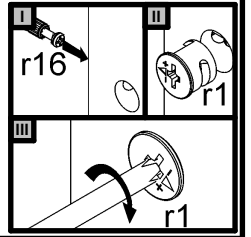
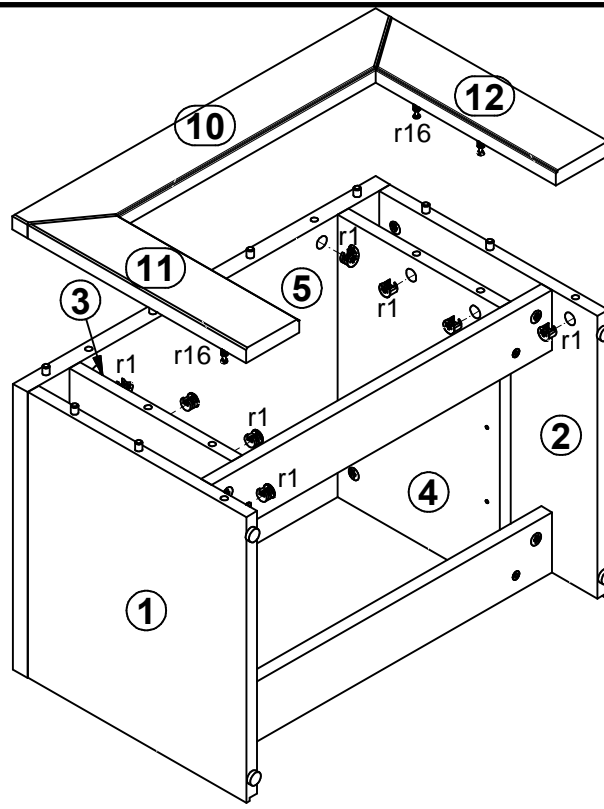
A	B	C	D
1	S82-112	327	370
2	S82-113	327	370
3	S82-114	243	366
4	S82-115	243	366
5	S82-203	543	370
6	S82-403	510	78
7	S82-510	350	140
8	S82-511	350	140
9	S82-512	337	140
10	S82-568	544	80
11	S82-569	327	80
12	S82-570	327	80
13	S82-904	347	348
14	S82-905	530	266



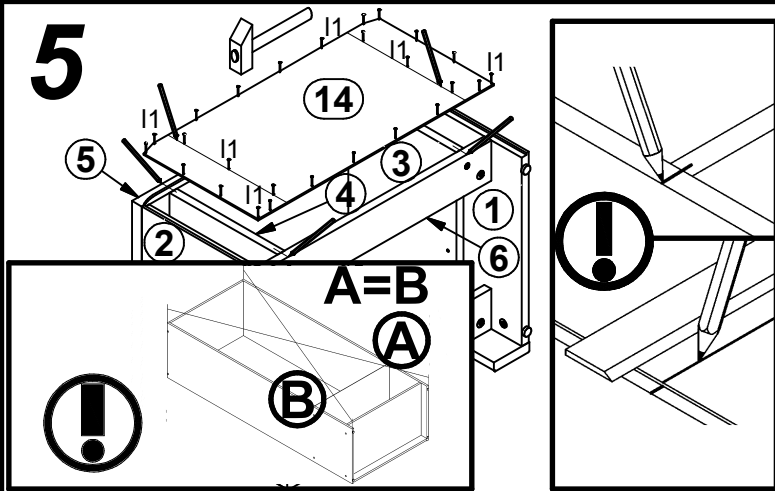
4x φ7x50 mm e1	6x φ6x13 mm e3	28x φ8x30 mm f1	4x φ6.5x40 mm f25	4x k1	25x l1	4x φ3x12 mm p54	24x φ1.5x12mm #16 r1	2x r10
4x φ12x10.5mm #12 r15	24x r16	2x ø16 s2	1x 350 mm w45\CL	1x 350 mm w45\CR	1x 350 mm w45\DL	1x 350 mm w45\DR	1x z1	1x n26\1
1x φ3.5x16 mm p38								



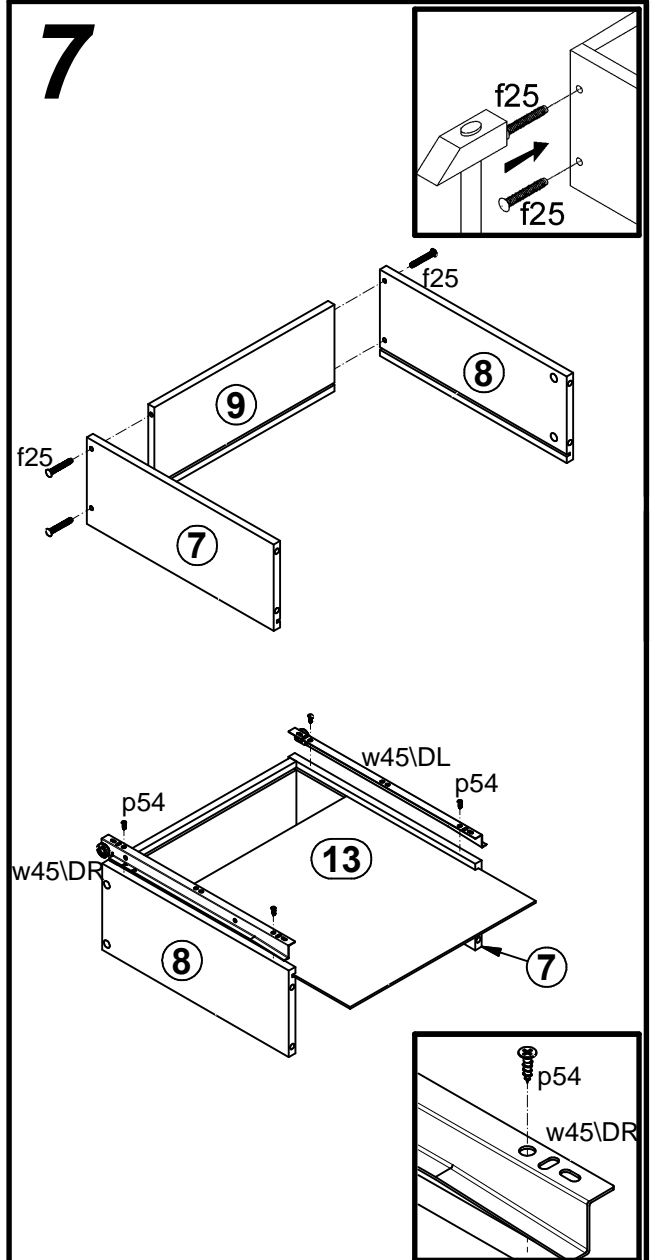
4



5



7



6

