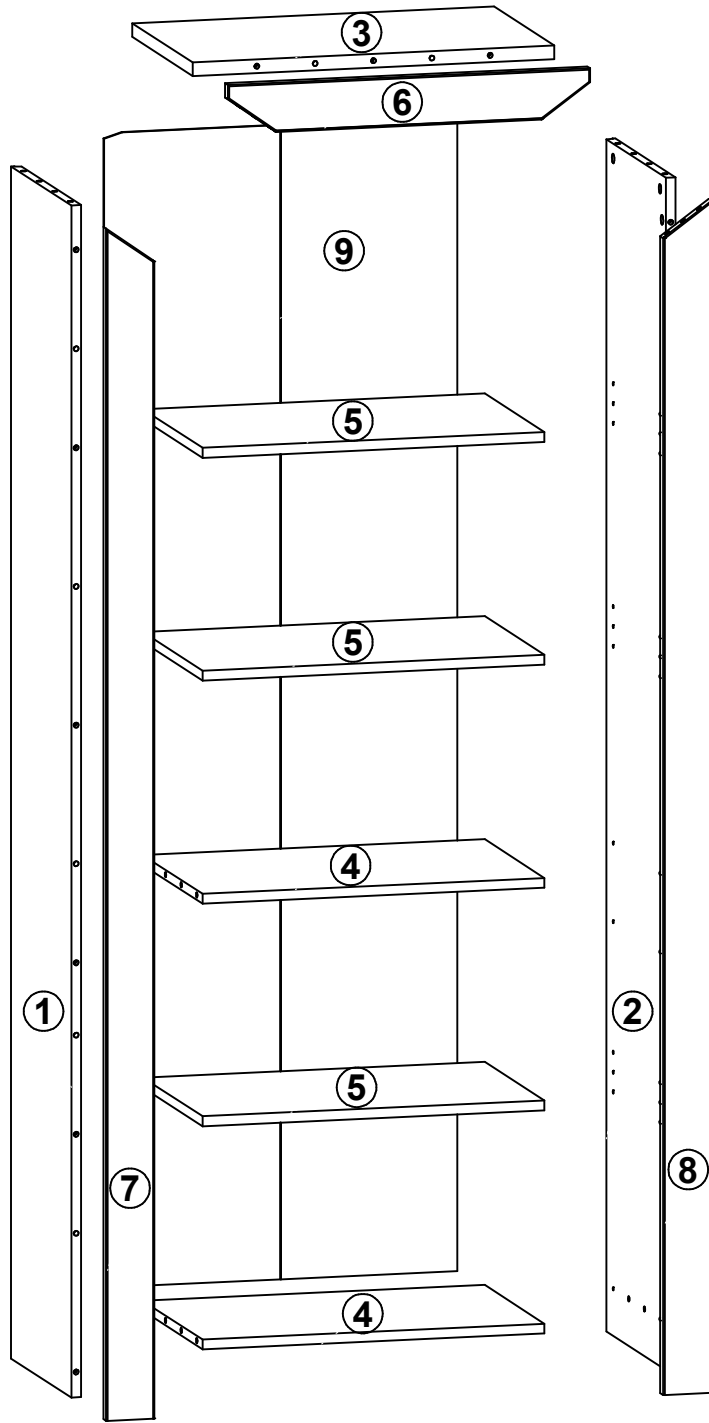
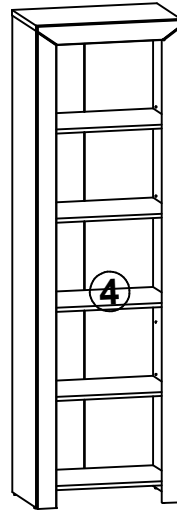


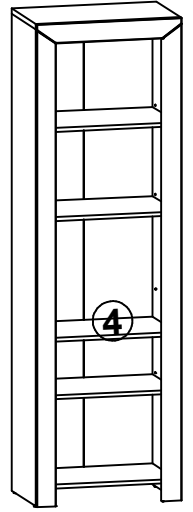
MEZO



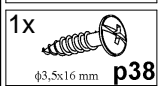
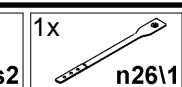
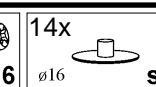
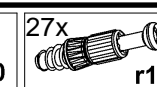
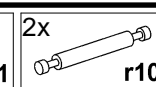
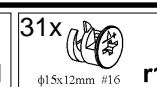
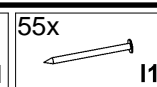
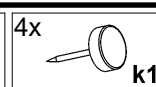
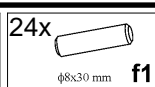
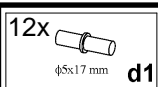
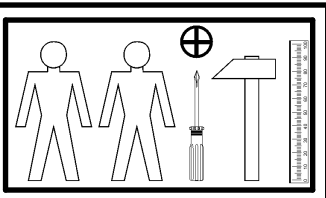
S82-REG/19/6
S82-REG1DLP/19/6

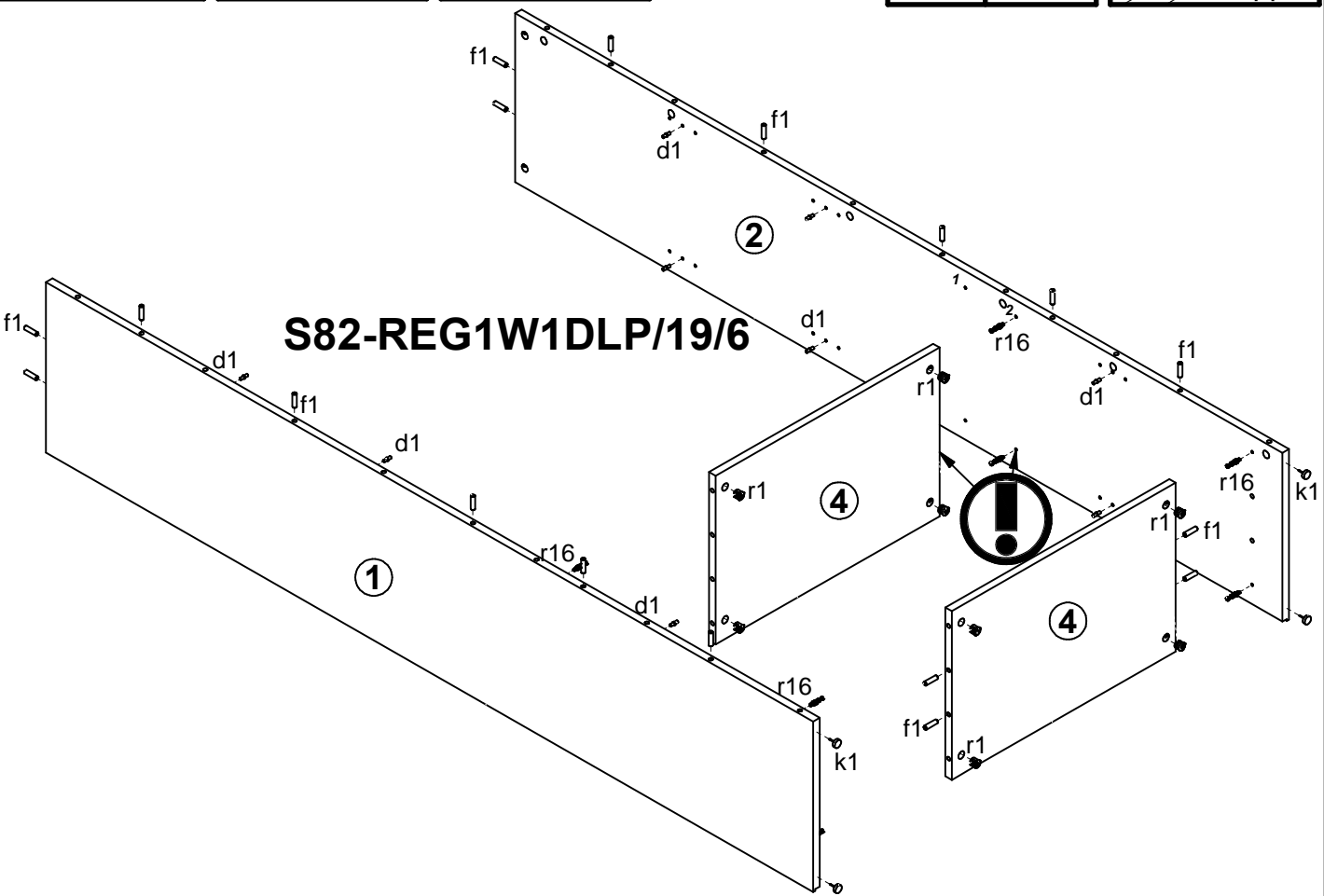
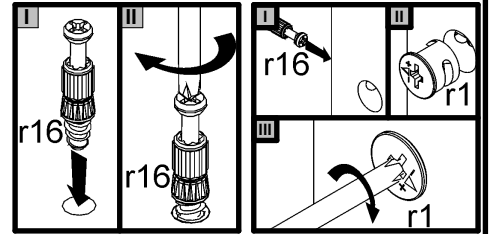
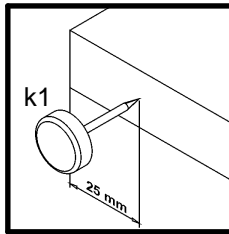
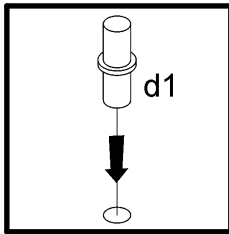
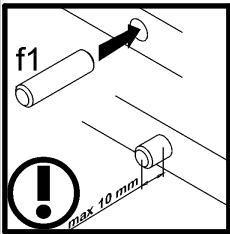
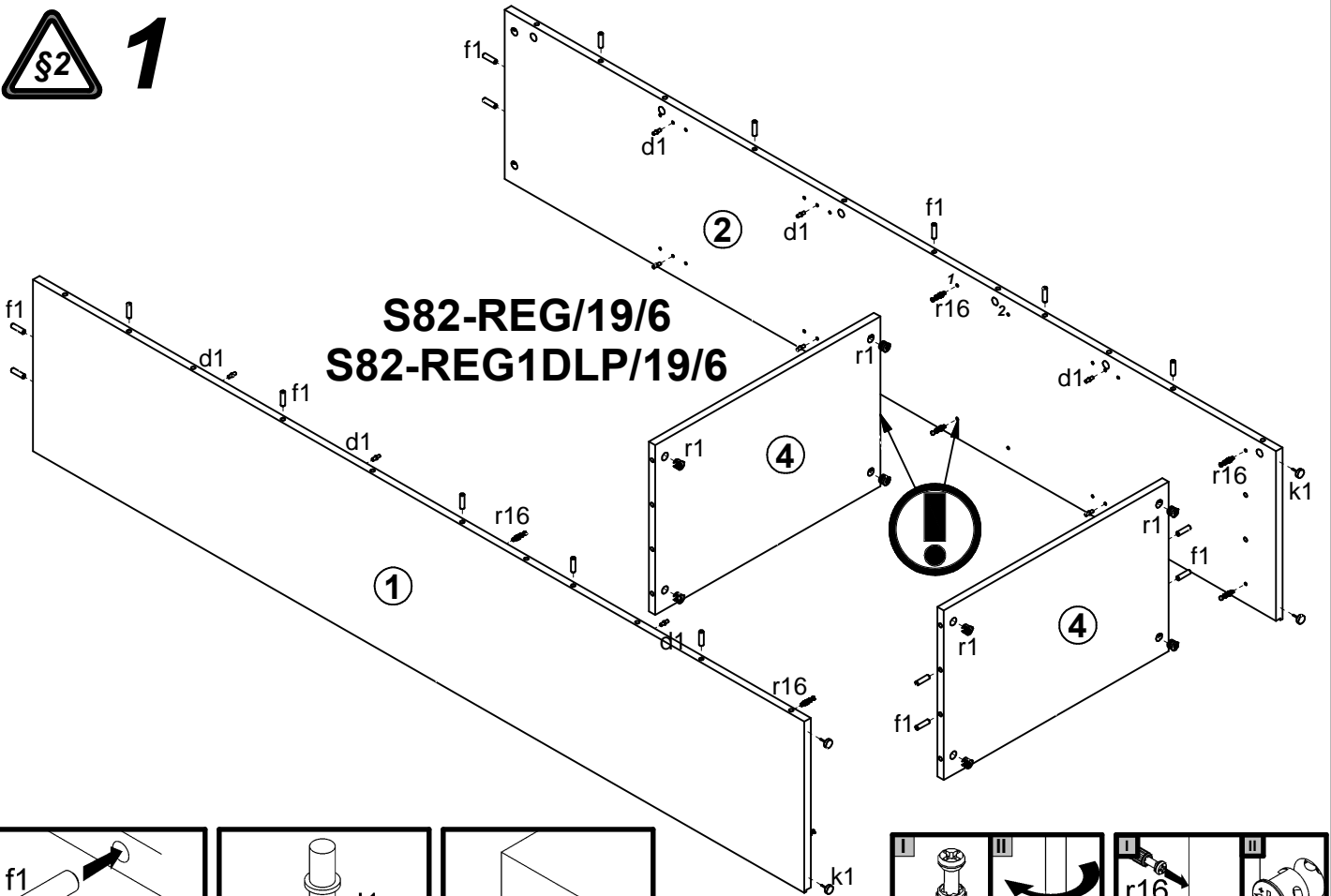


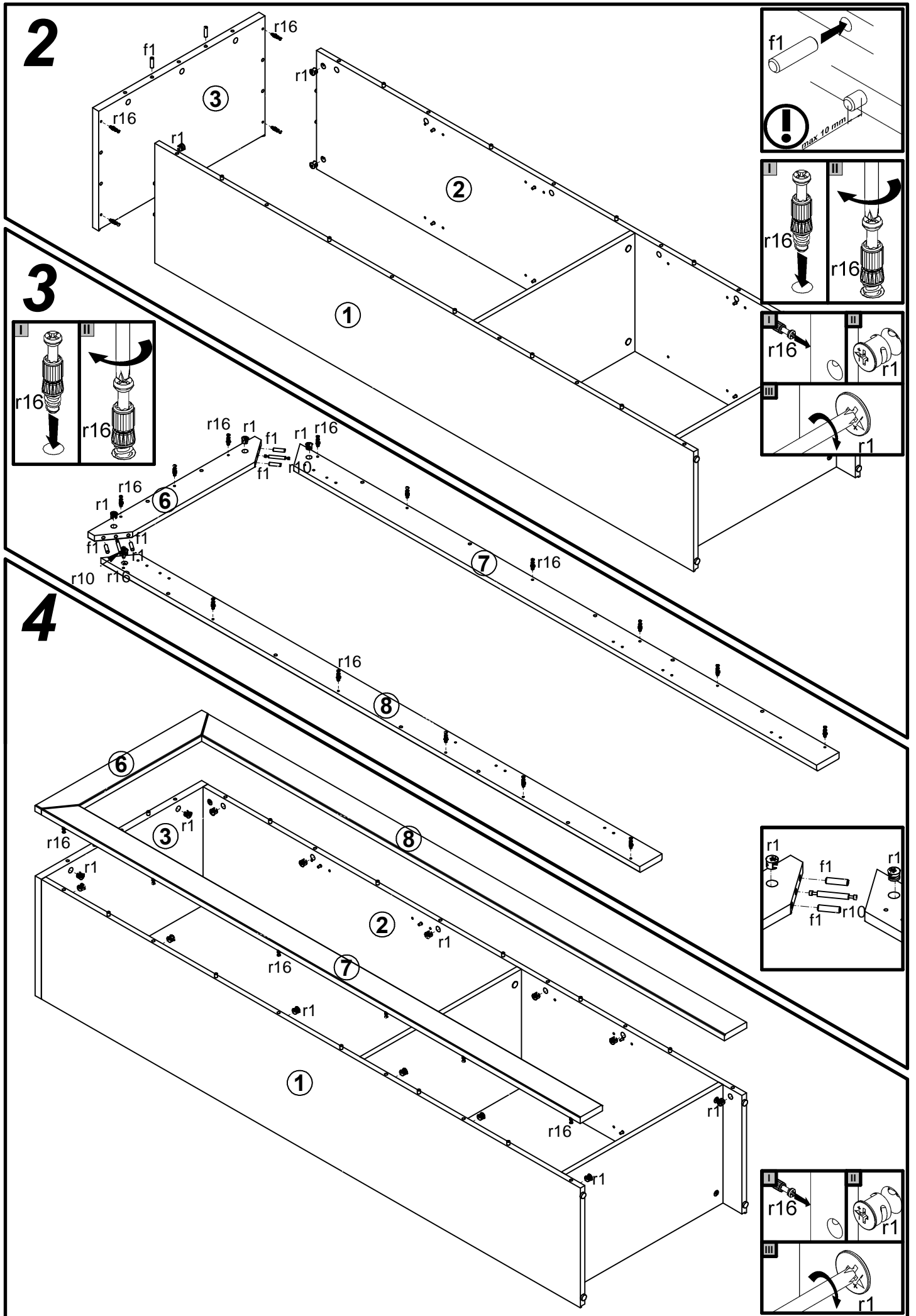
S82-REG1W1DLP/19/6



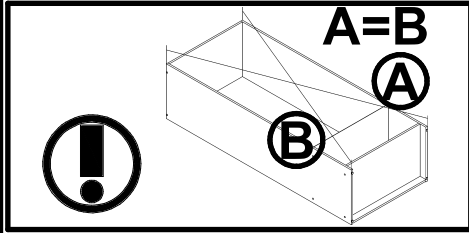
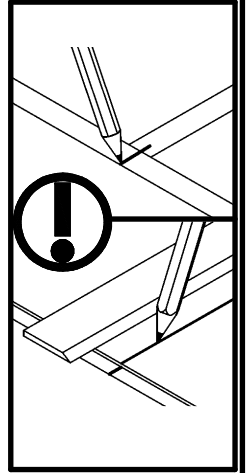
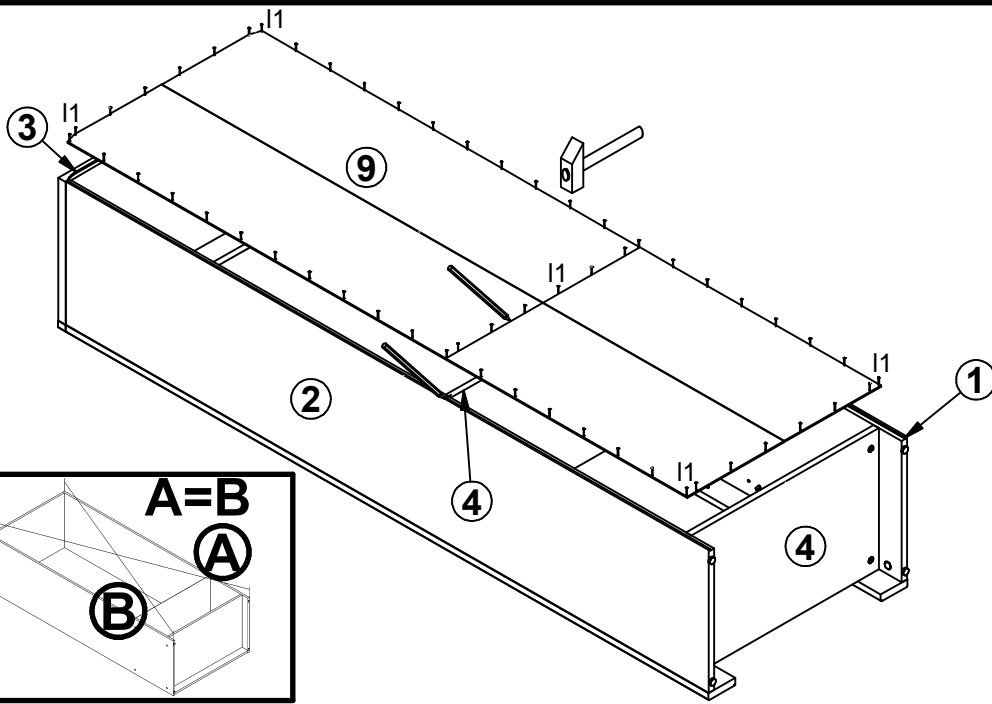
A	B	C	D	
1	S82-143	1926	370	1/2; 1/3; 1/4
2	S82-144	1926	370	1/2; 1/3; 1/4
3	S82-211	595	370	1/2; 1/3; 1/4
4	S82-301	562	366	1/2; 1/3; 1/4
5	S82-302	562	366	1/2; 1/3; 1/4
6	S82-558	596	80	2/2; 2/3; 2/4
7	S82-562	1926	80	2/2; 2/3; 2/4
8	S82-563	1926	80	2/2; 2/3; 2/4
9	S82-9908	1865	581	2/2; 1/3; 1/4







6



7

