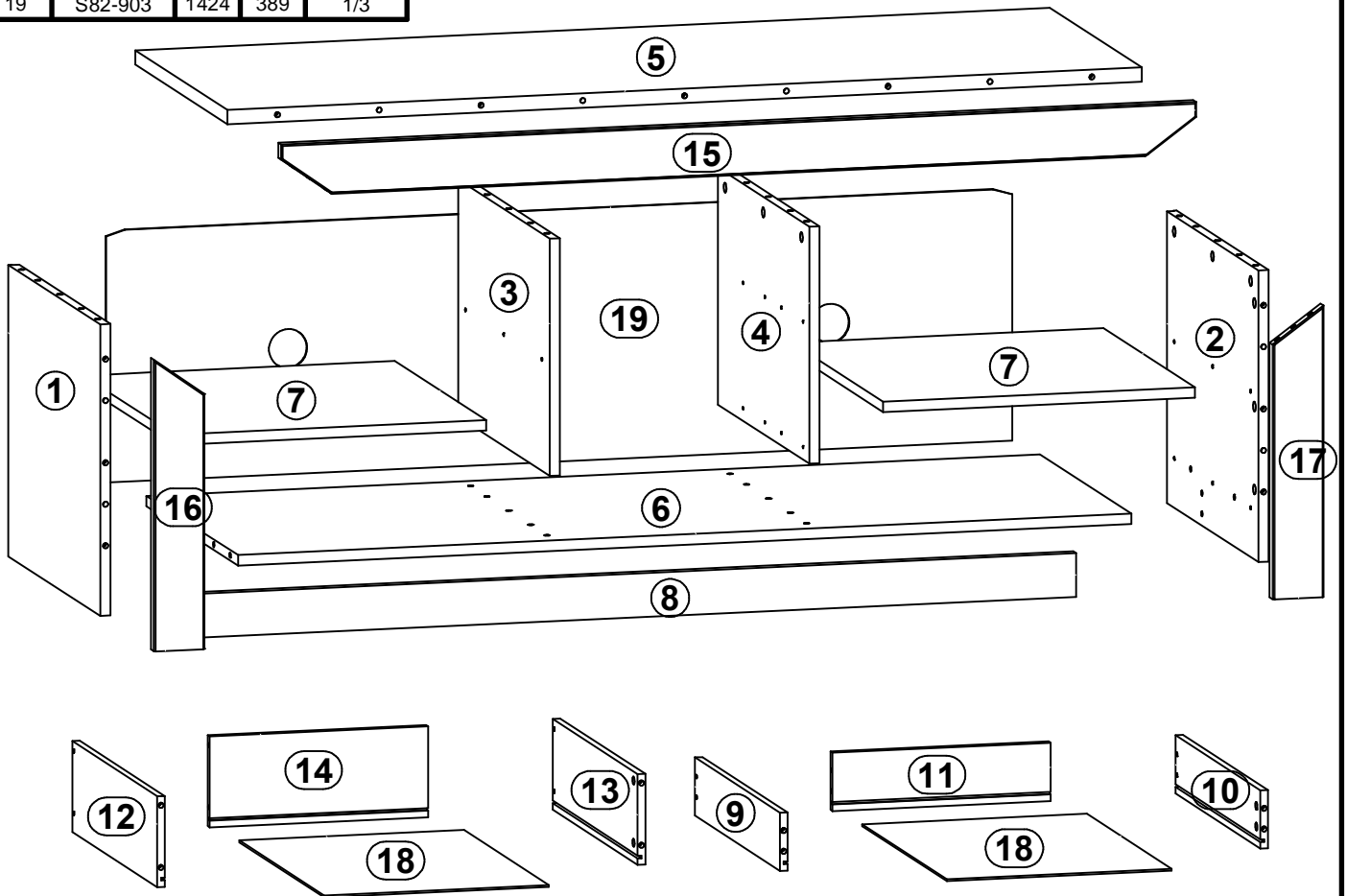
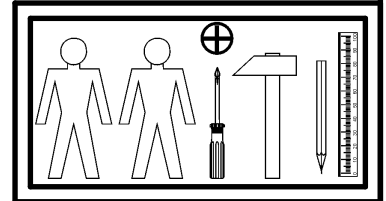
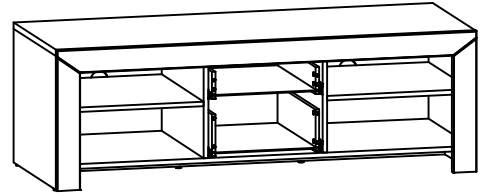


MEZO

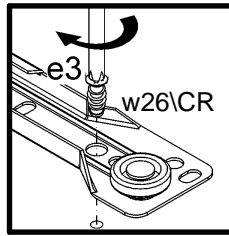
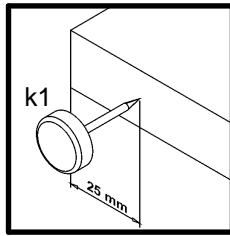
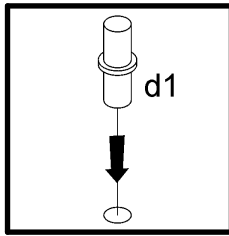
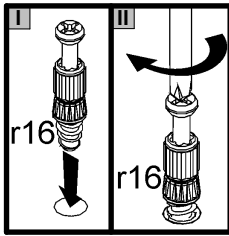
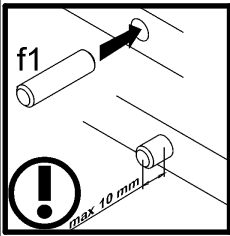
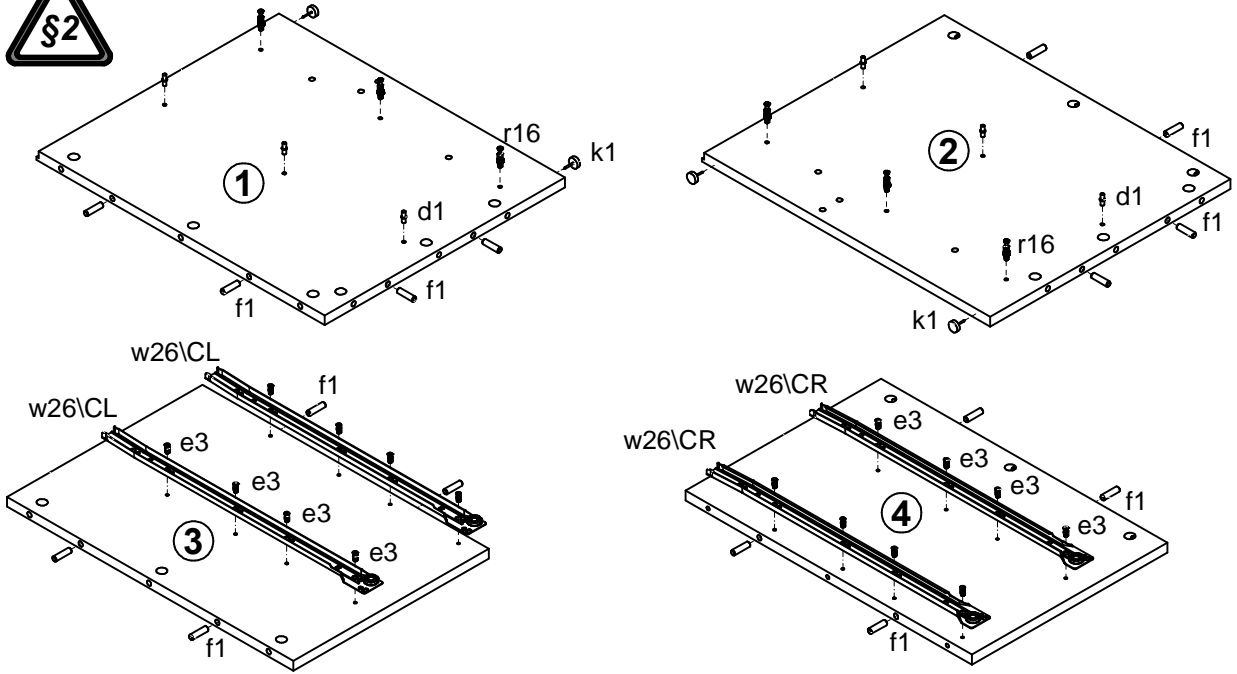
S82-RTV2S/5/14

A	B	C	D	
1	S82-108	450	540	1/3
2	S82-109	450	540	1/3
3	S82-110	366	536	1/3
4	S82-111	366	536	1/3
5	S82-202	1437	540	1/3
6	S82-303	1404	536	1/3
7	S82-304	490	536	1/3
8	S82-402	1404	68	1/3
9	S82-504	500	90	1/3
10	S82-505	500	90	1/3
11	S82-506	343	90	1/3
12	S82-507	500	140	1/3
13	S82-508	500	140	1/3
14	S82-509	343	140	1/3
15	S82-559	1438	80	2/3
16	S82-566	450	80	2/3
17	S82-567	450	80	2/3
18	S82-902	353	498	1/3
19	S82-903	1424	389	1/3

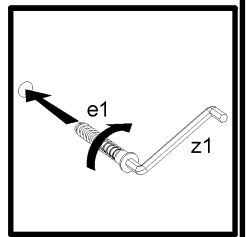
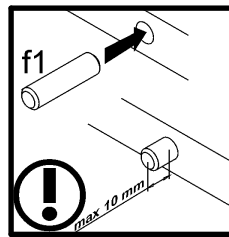
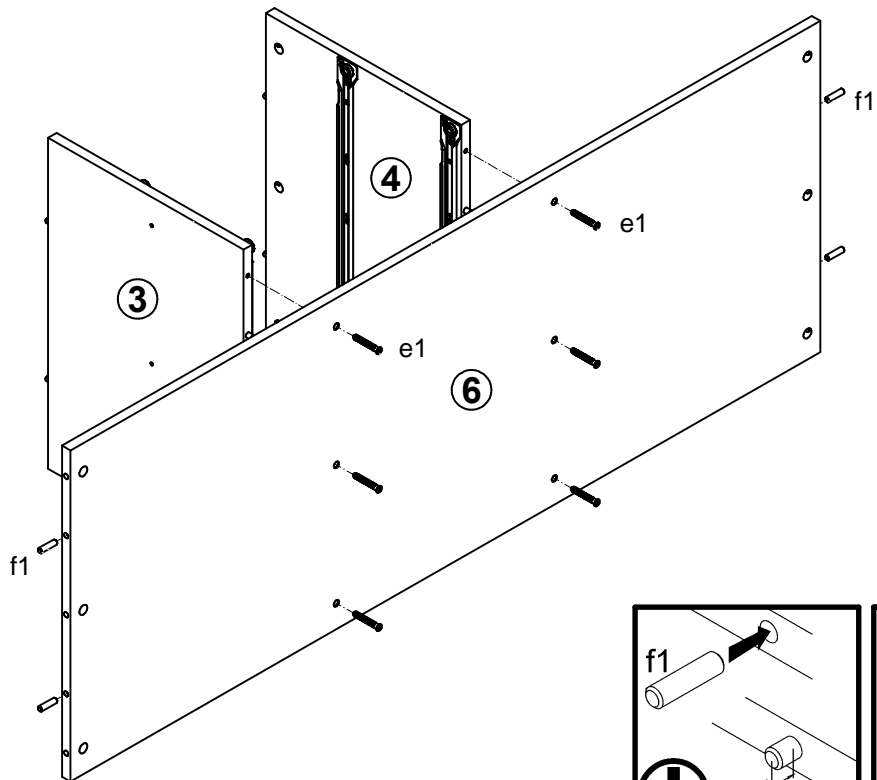


12x φ5x17 mm d1	6x φ7x50 mm e1	16x φ6x13 mm e3	32x φ8x30 mm f1	8x φ6.5x40 mm f25	6x k1	50x l1	8x φ3x12 mm p54	33x φ1.5x12mm #16 r1
2x r10	8x φ12x10.5mm #12 r15	37x r16	2x 500 mm w26\CL	2x 500 mm w26\CR	2x 500 mm w26\DL	2x 500 mm w26\DR	12x ø16 s2	1x z1

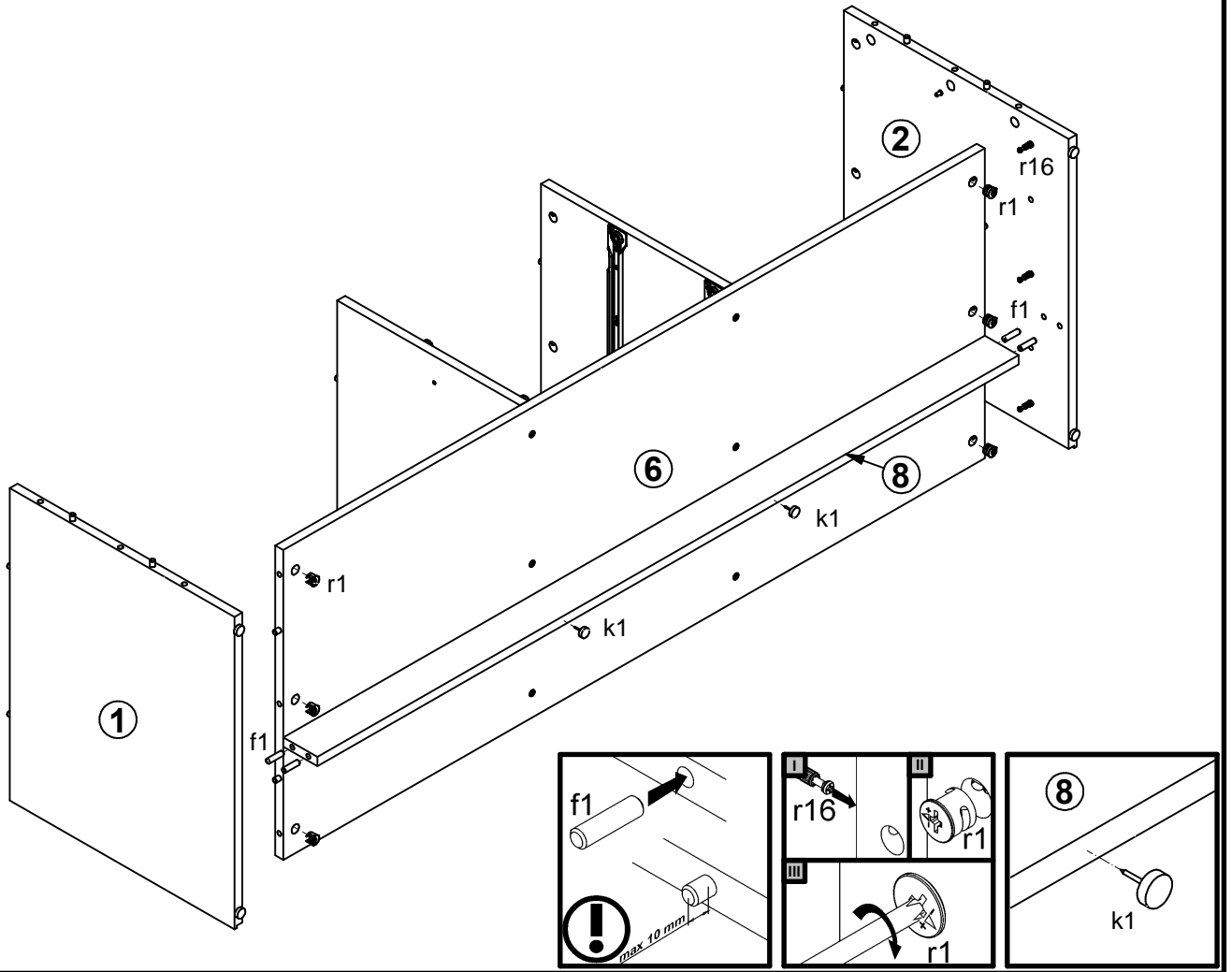
1



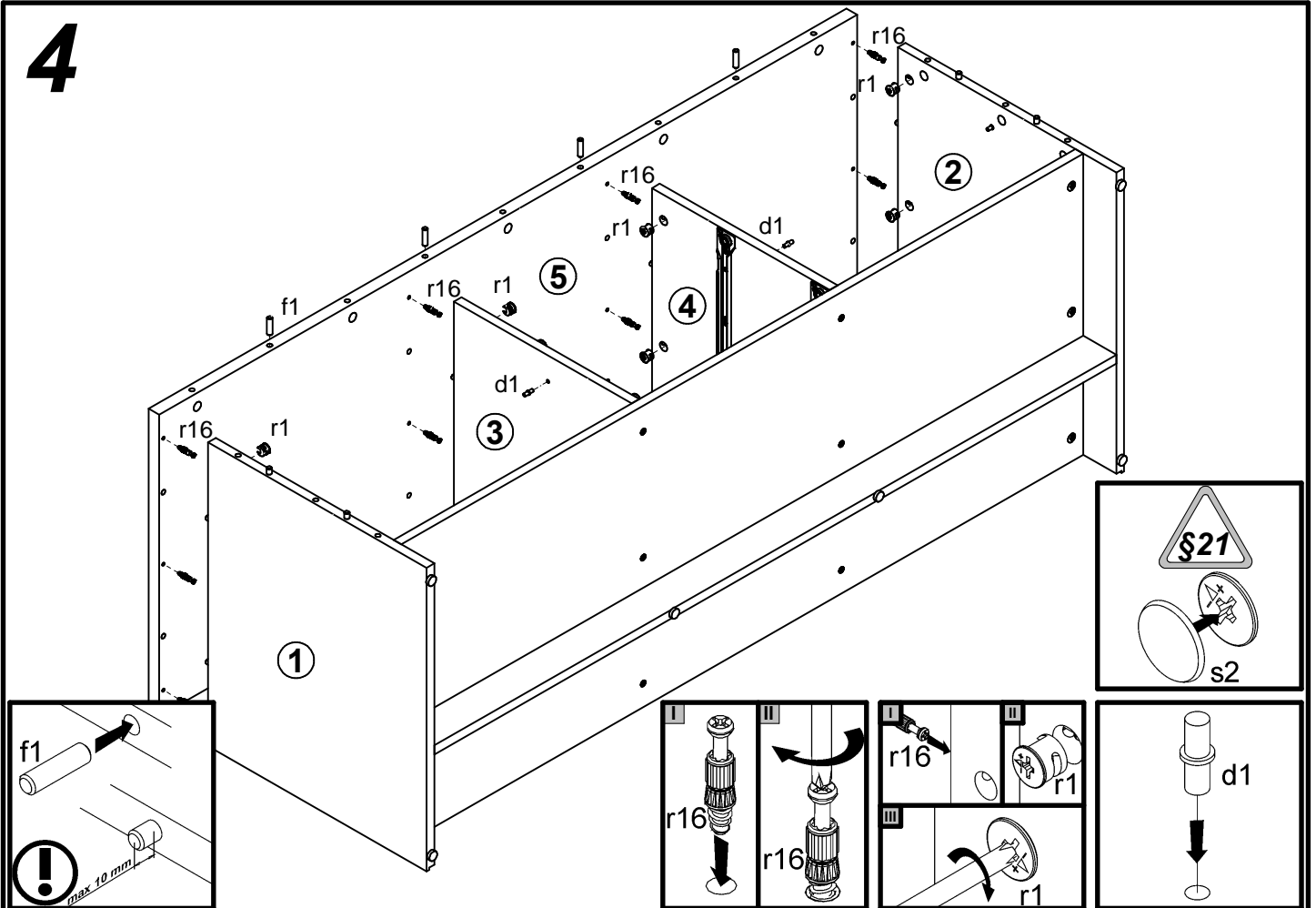
2



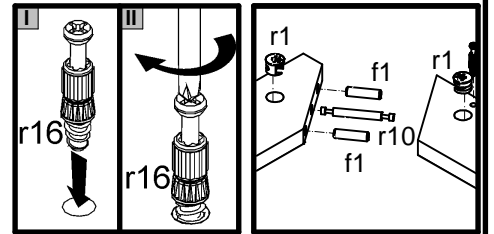
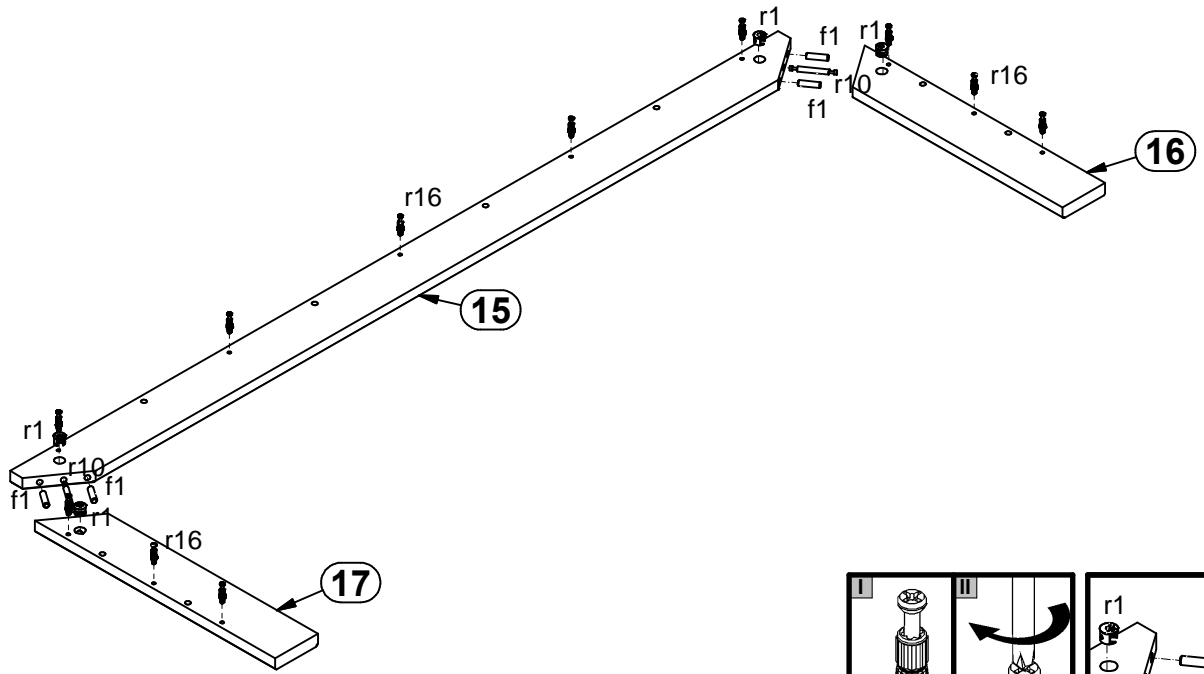
3



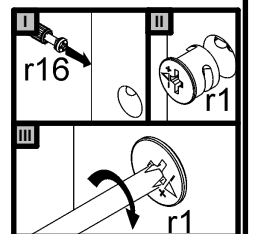
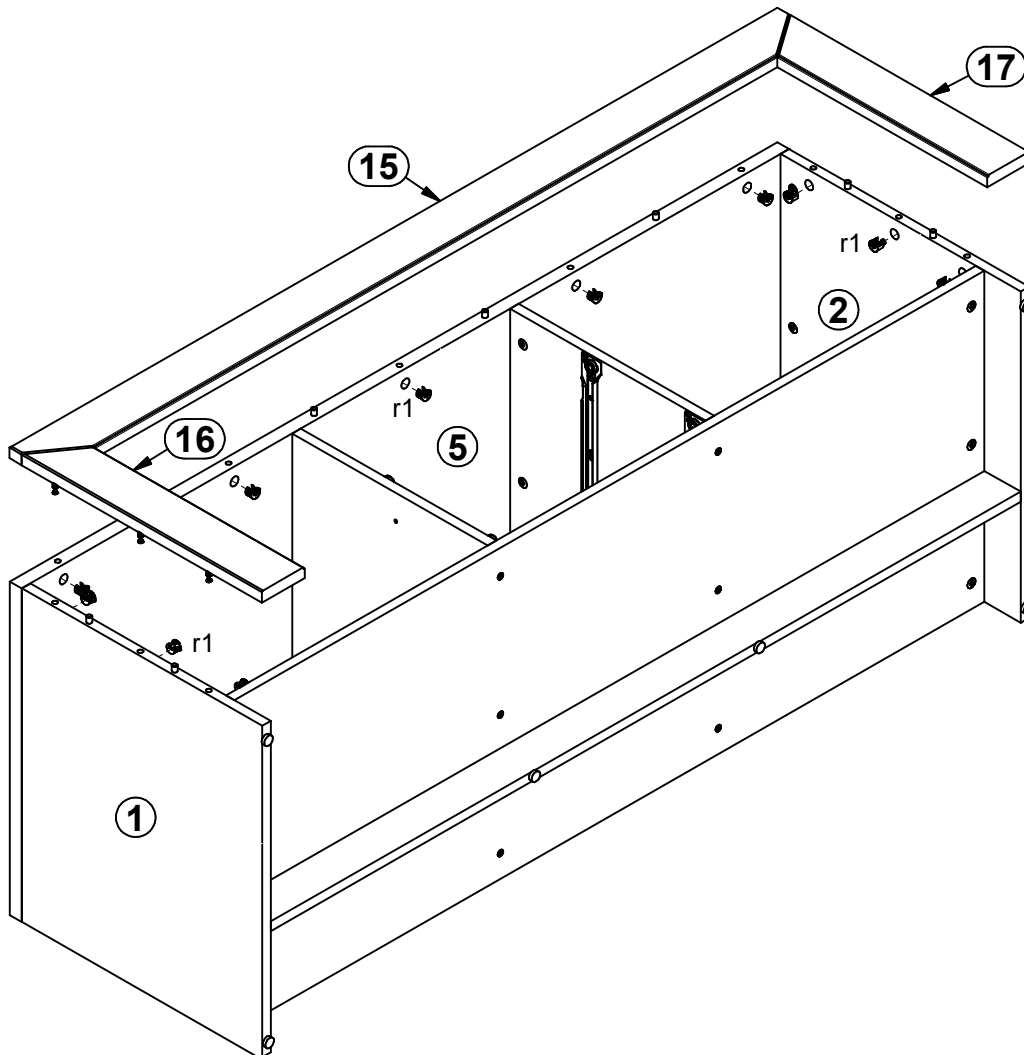
4



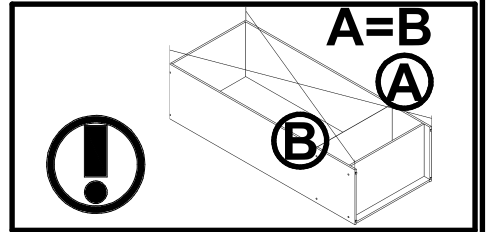
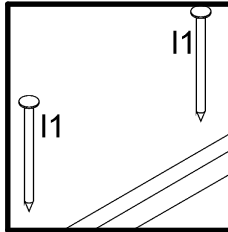
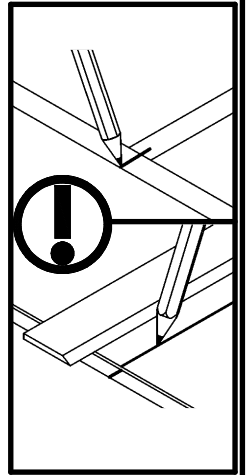
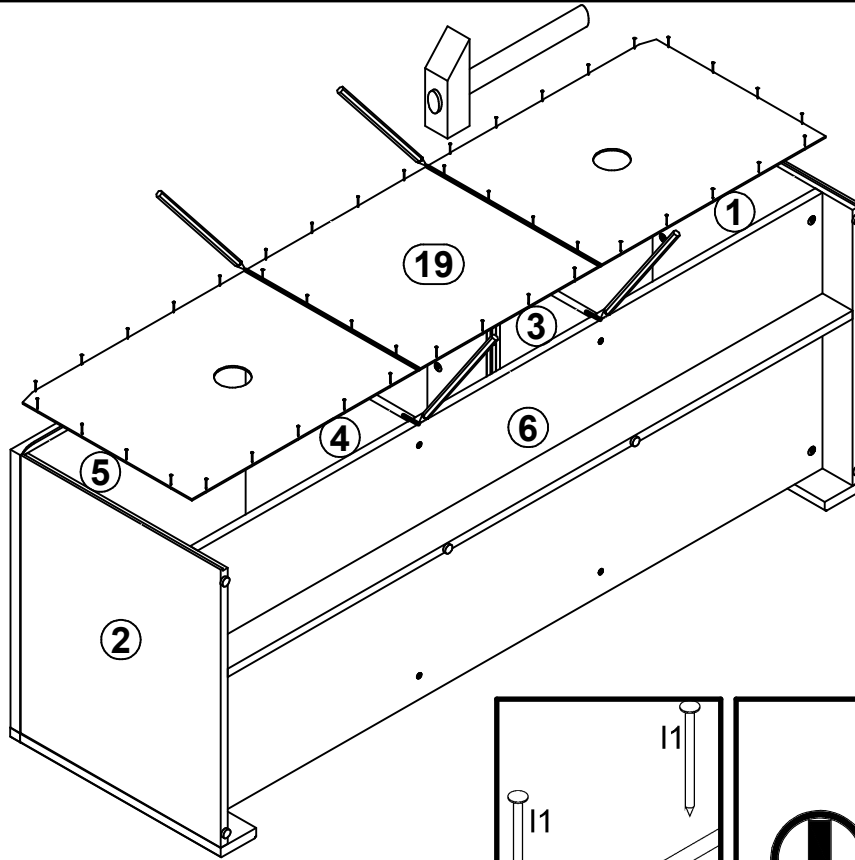
5



6



7



8

