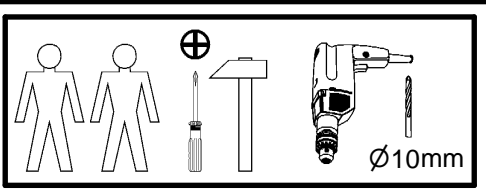
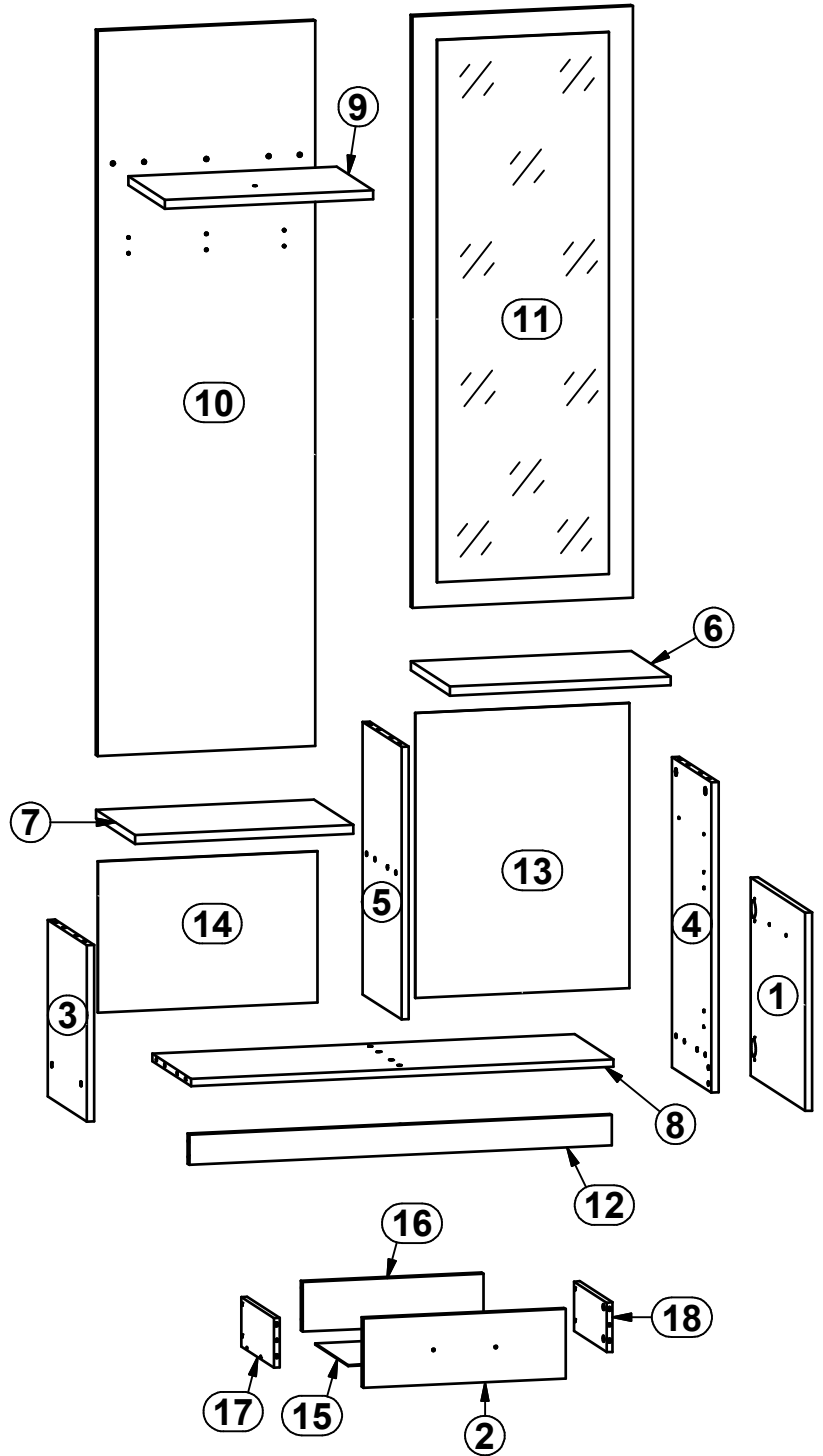
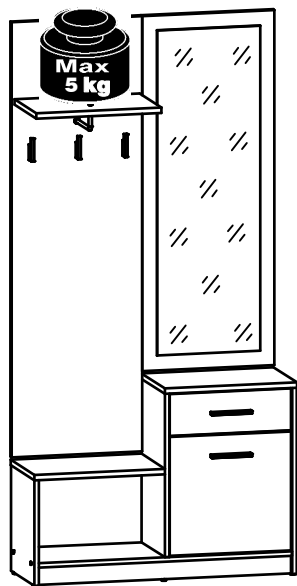
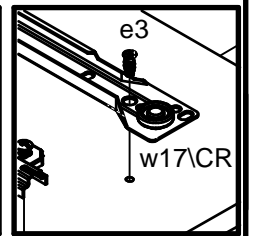
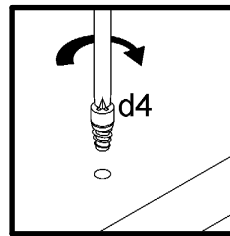
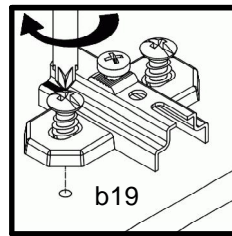
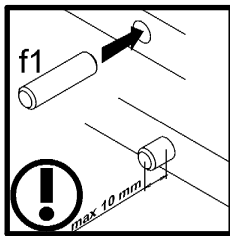
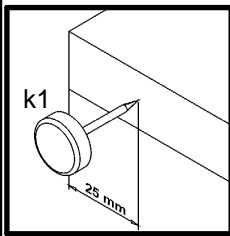
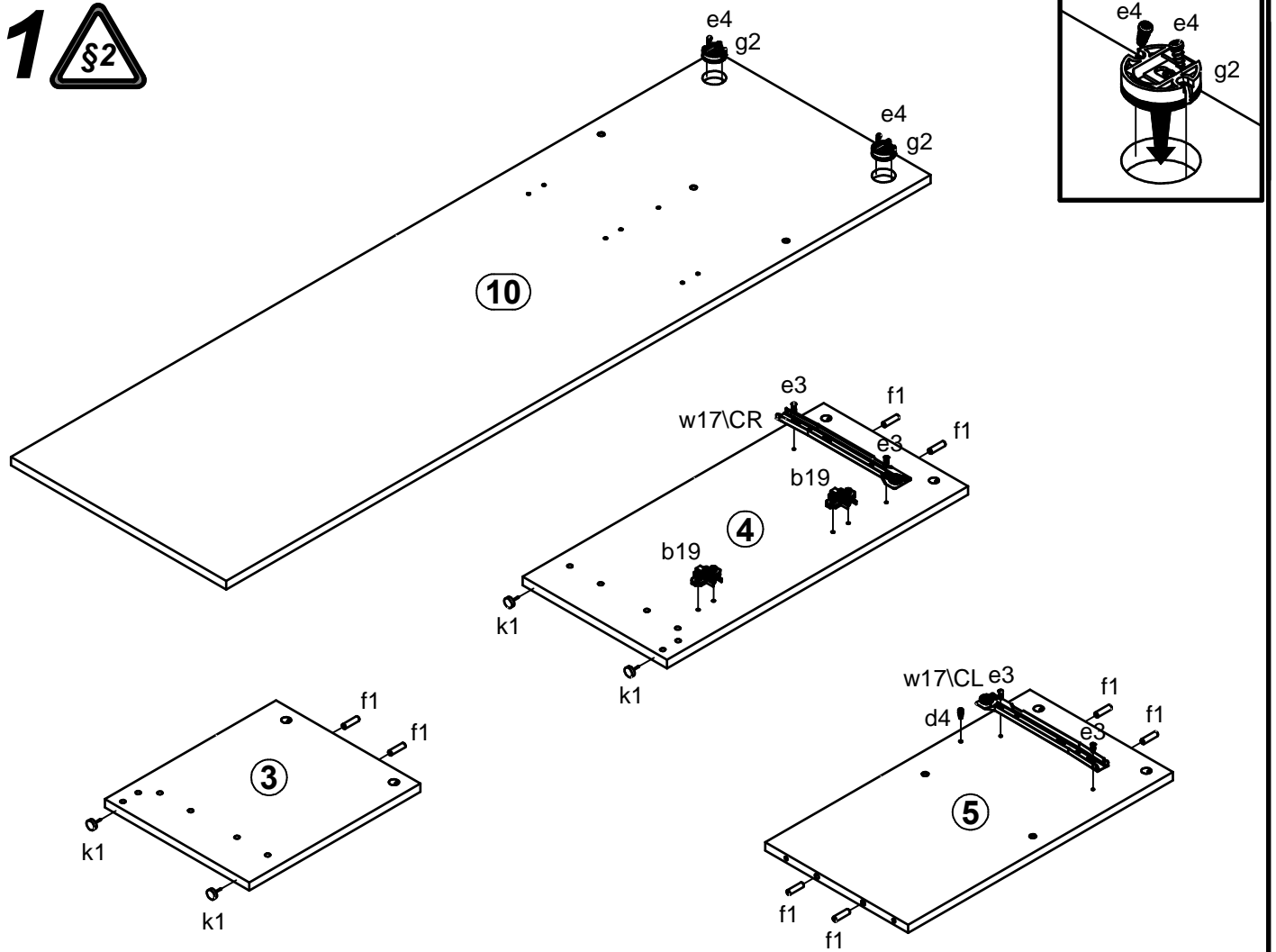


A	B	C	D	
1	S301-024	400	416	4/4
2	S301-025	416	140	4/4
3	S301-160	356	300	3/4
4	S301-161	626	300	3/4
5	S301-162	550	297	3/4
6	S301-222	453	301	3/4
7	S301-223	448	301	1/4
8	S301-334	868	297	1/4
9	S301-335	428	280	1/4
10	S301-426	1464	447	1/4
11	S301-427	1194	453	2/4
12	S301-428	868	61	1/4
13	S301-931	575	440	1/4
14	S301-932	305	451	1/4
15	S301-933	394	255	3/4
16	ZS3-5529	372	100	3/4
17	ZS4-517	250	100	3/4
18	ZS4-518	250	100	3/4

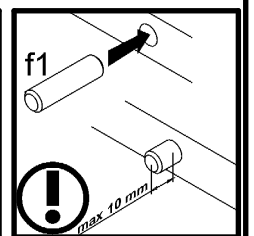
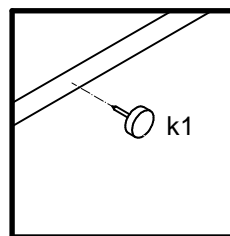
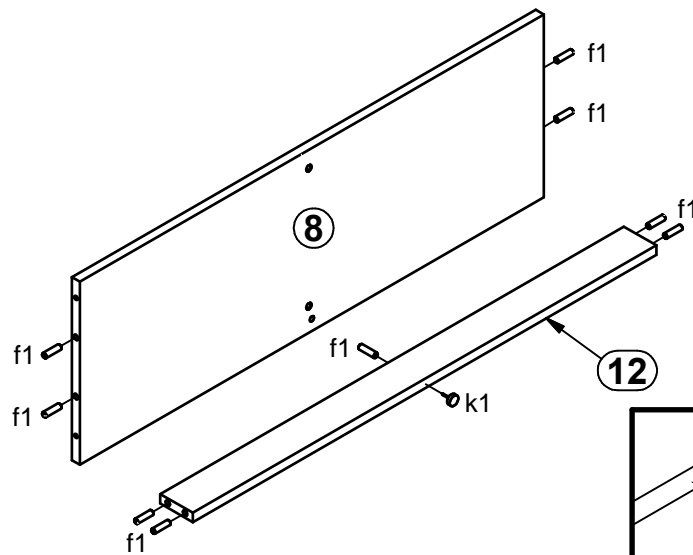


2x a43	2x b19	2x c310	3x c325 32 mm	1x d4 Ø6.3x15 mm	11x e1 Ø7x50 mm	4x e3 Ø6x13 mm	4x e4 Ø5x11 mm	4x e19 Ø5x9 mm
21x f1 Ø8x30 mm	2x f9 Ø6x30 mm	4x f25 Ø6.5x40 mm	4x f35 Ø10x50 mm	2x g2	1x g30	5x k1	35x l1	8x p26 Ø4x35 mm
3x p38 Ø3.5x16 mm	4x p51 Ø3.5x15 mm	4x p75 Ø6x60 mm	4x p87 Ø4x25 mm	6x r1 Ø15x12 mm #16	4x r15 Ø12x10.5 mm #12	10x r42	6x s1	4x s2 Ø16
1x w17CL 250 mm	1x w17CR 250 mm	1x w17DL 250 mm	1x w17DR 250 mm	1x z1				

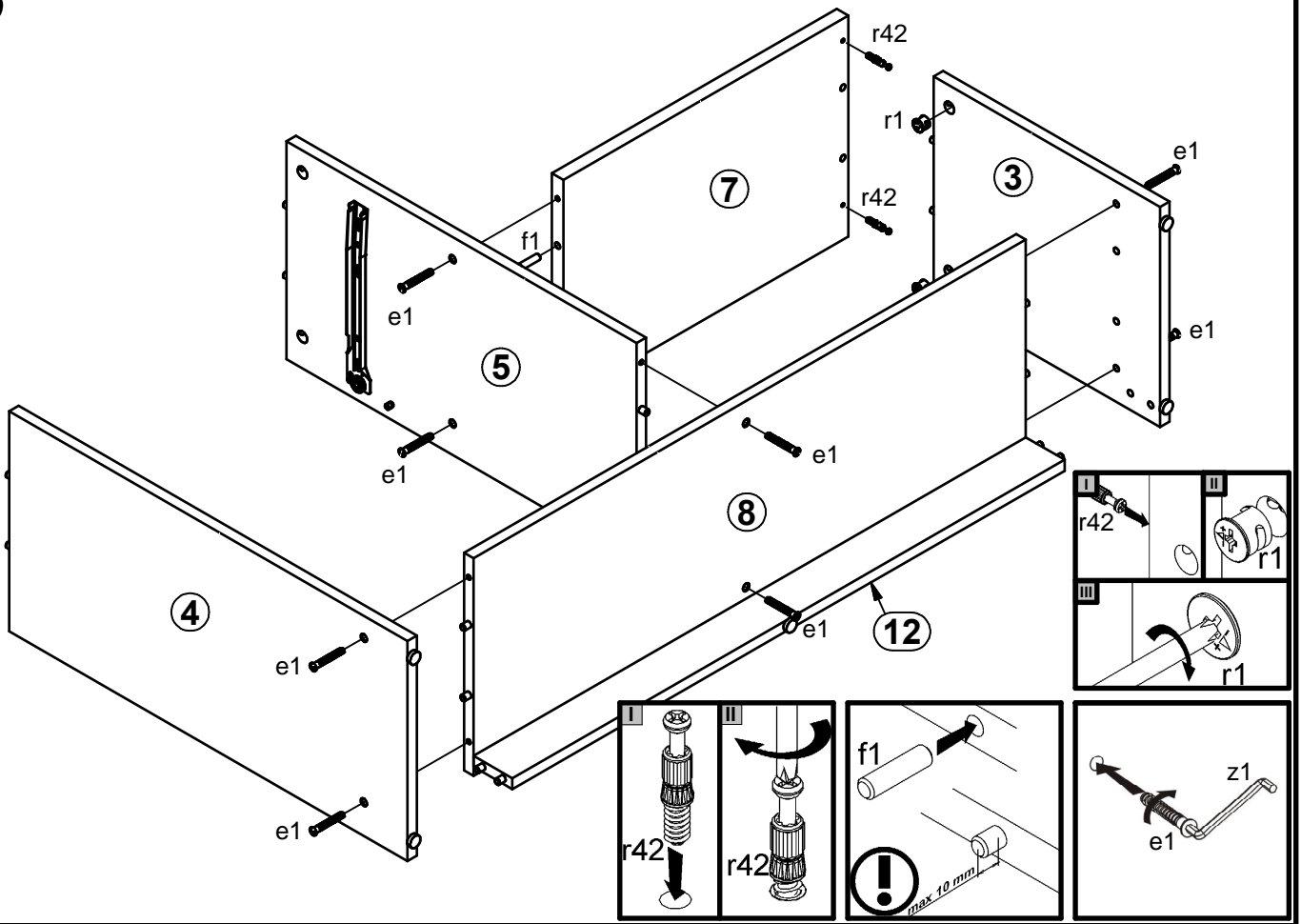
1 §2



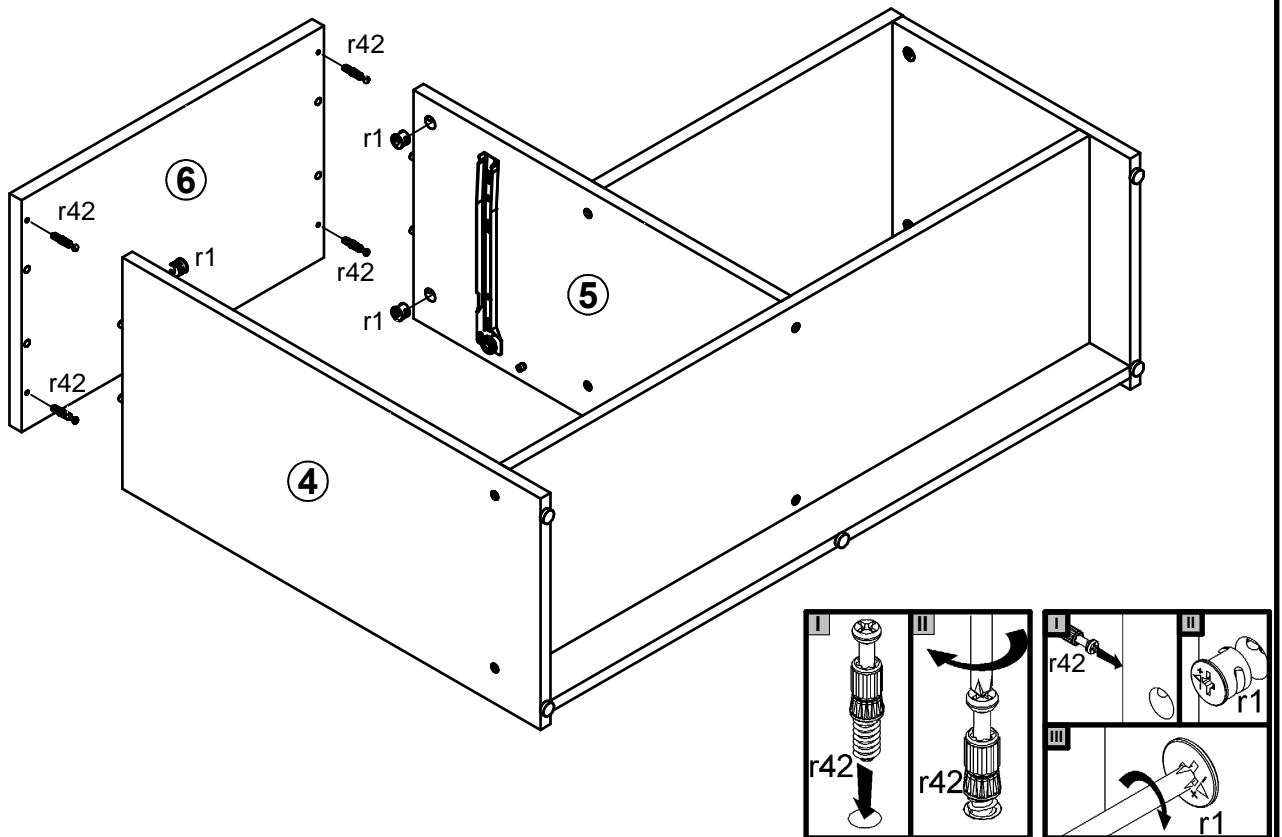
2 §6



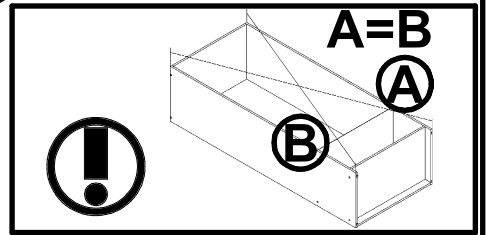
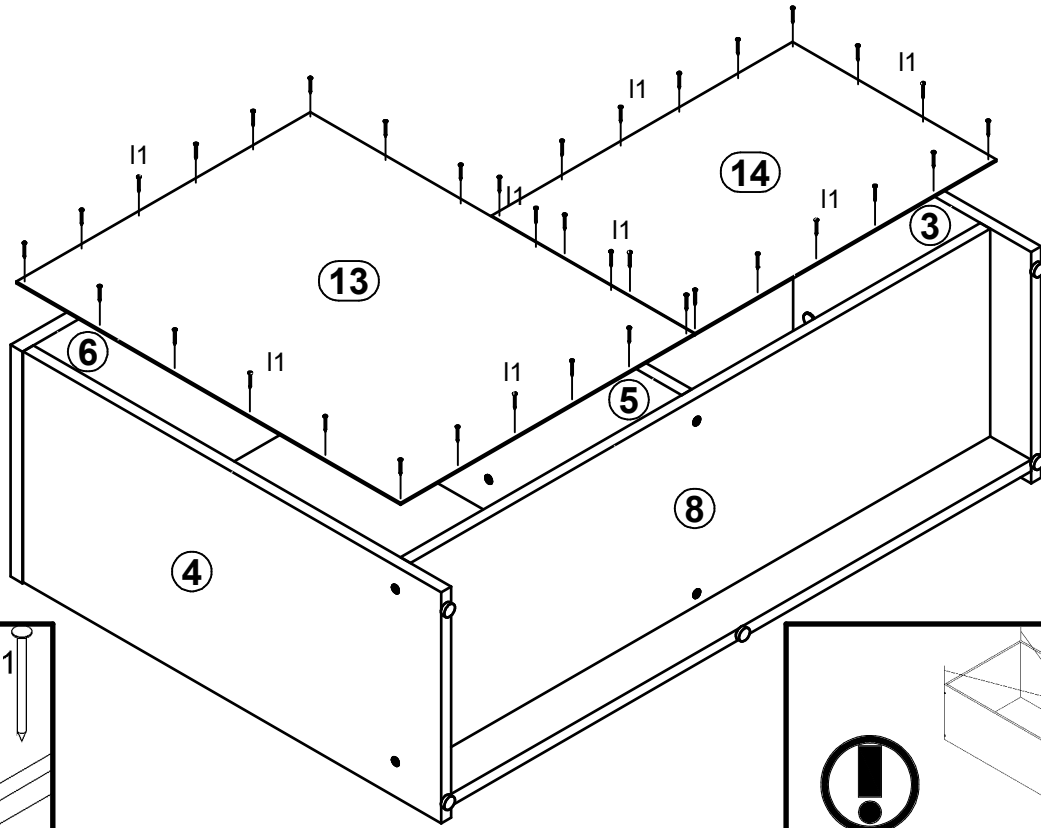
3



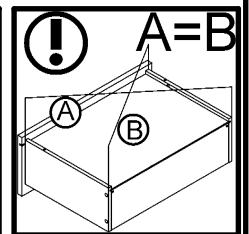
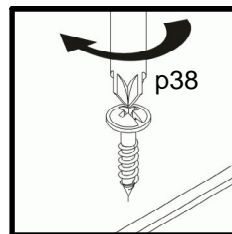
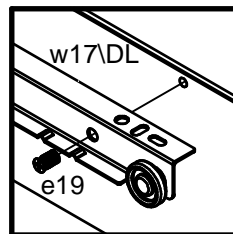
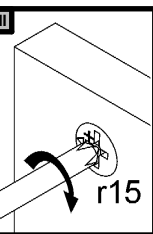
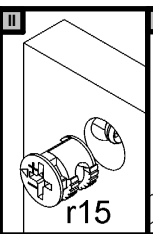
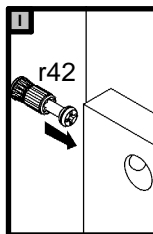
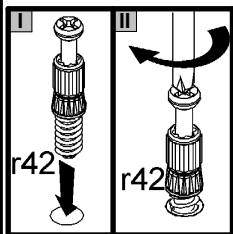
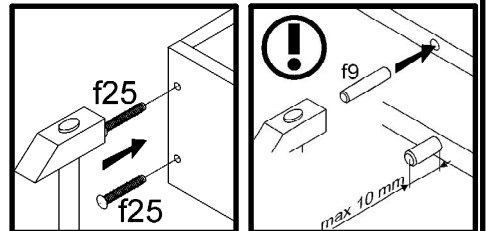
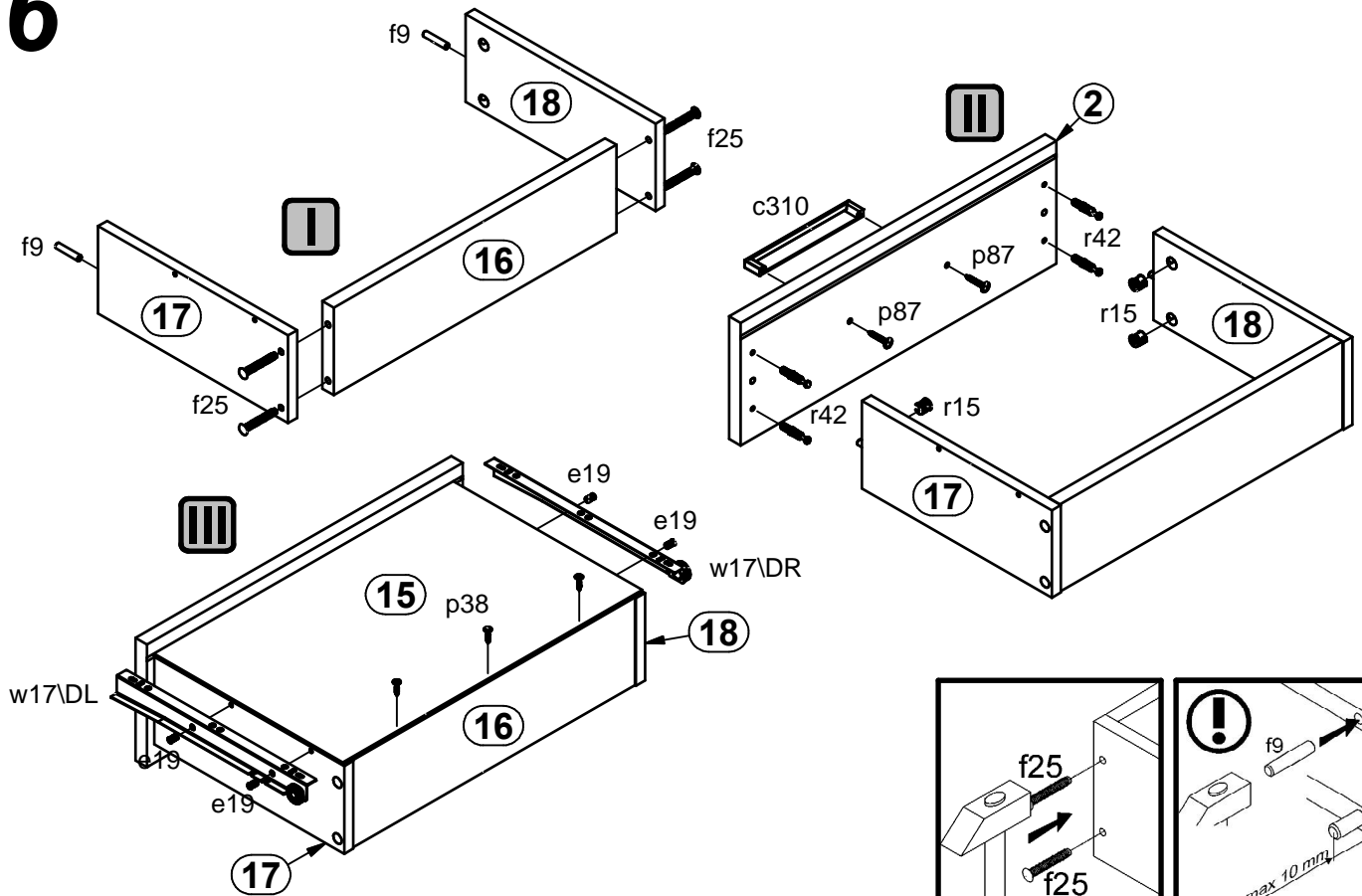
4



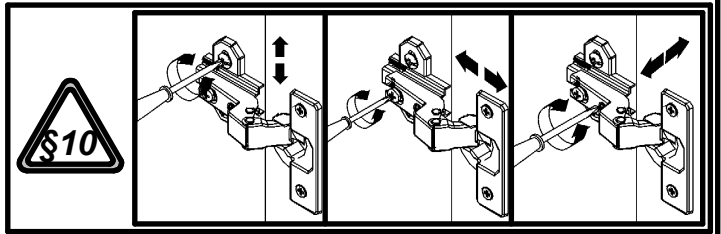
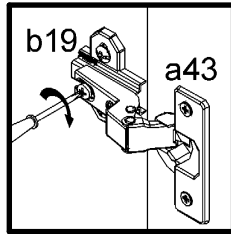
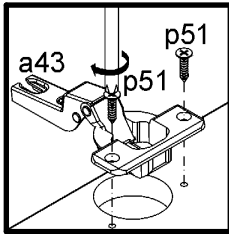
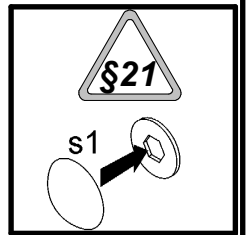
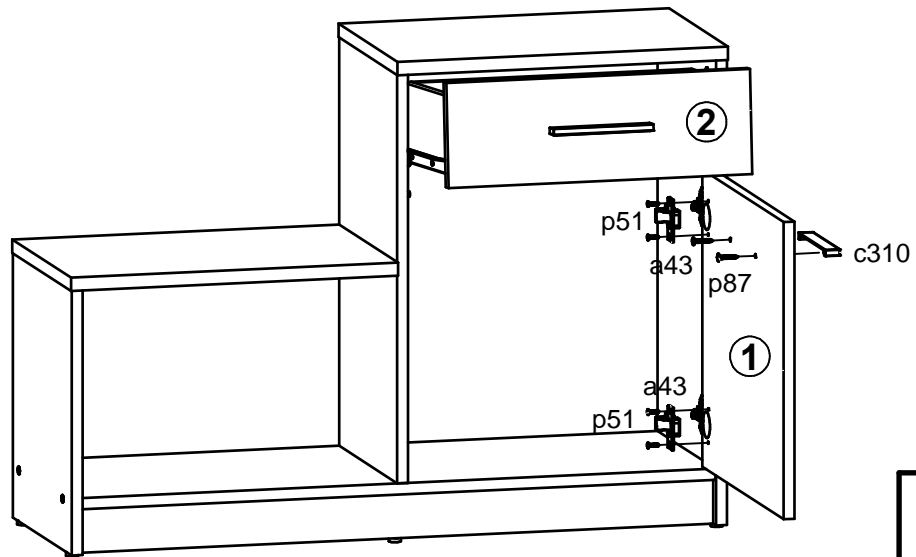
5



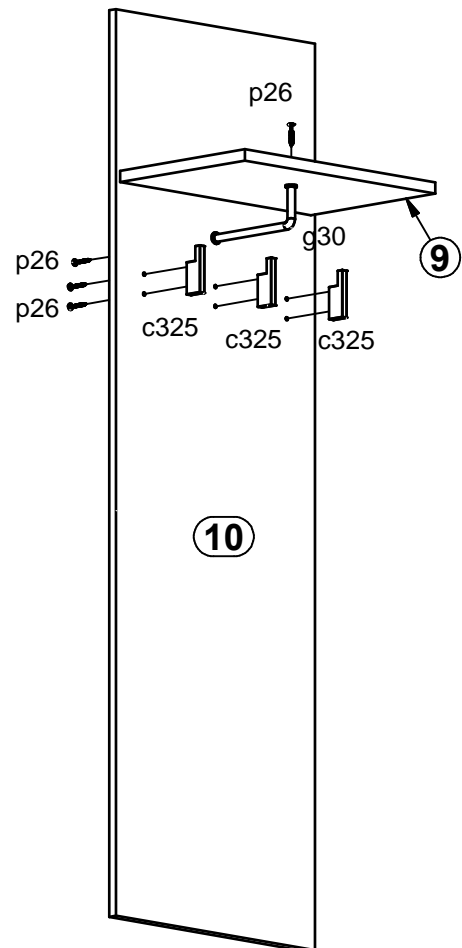
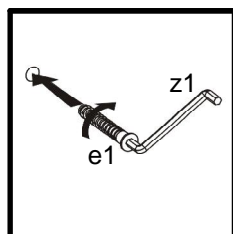
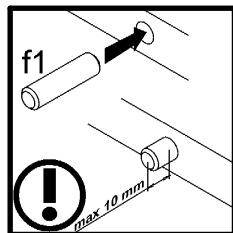
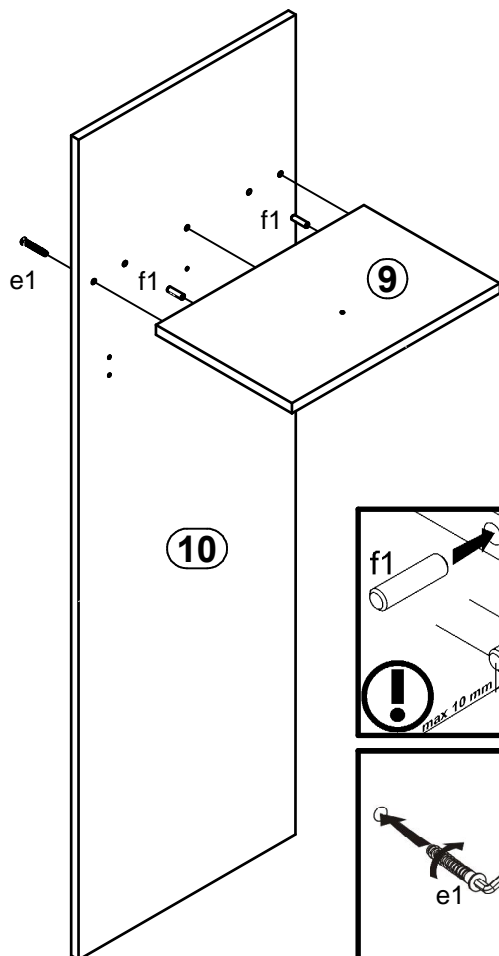
6



7



8



9

