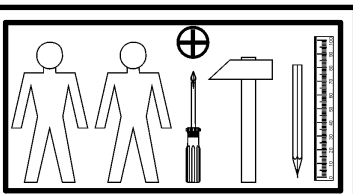
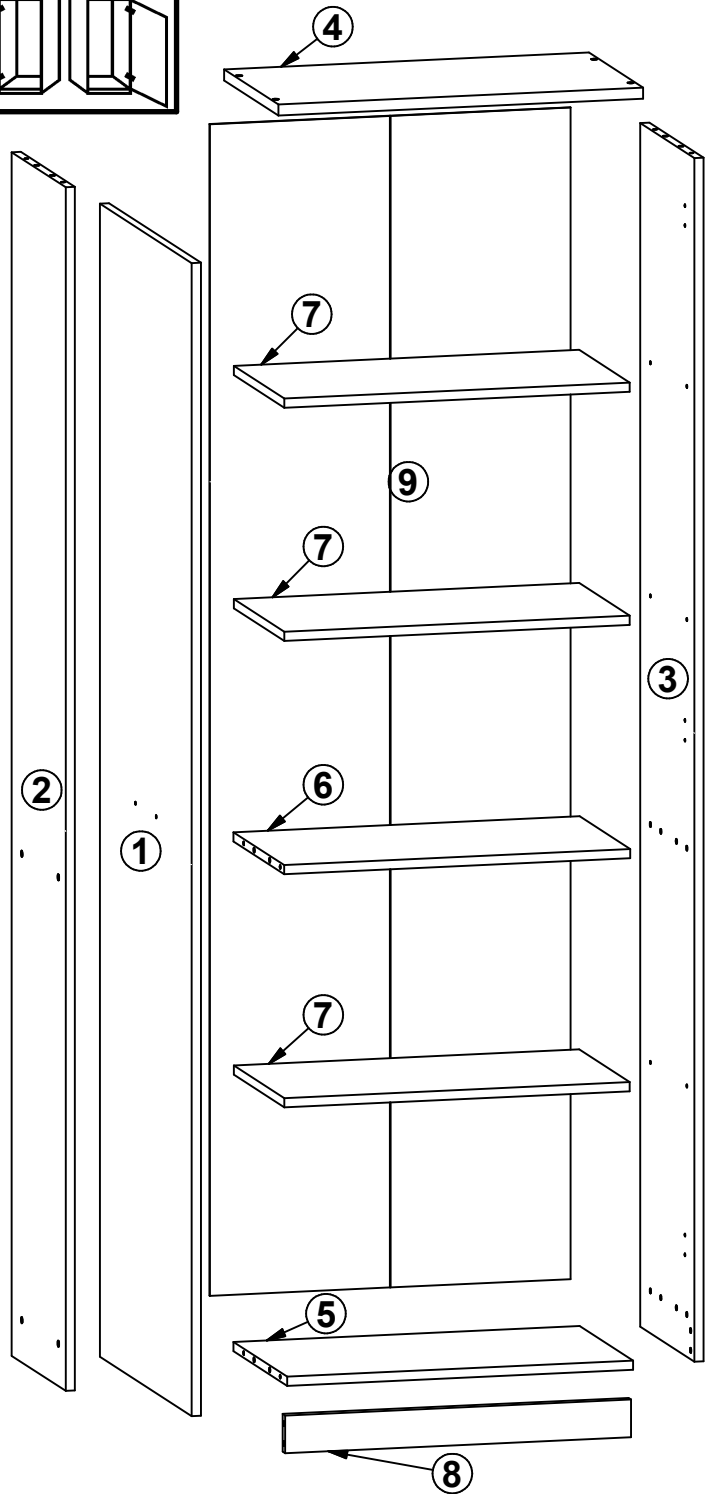
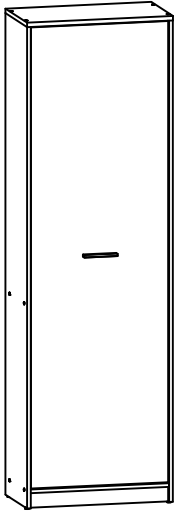
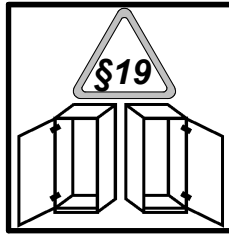


# NEPO

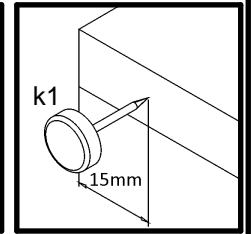
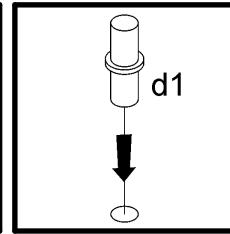
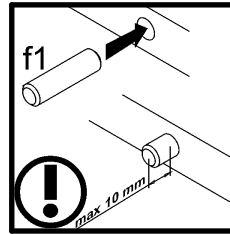
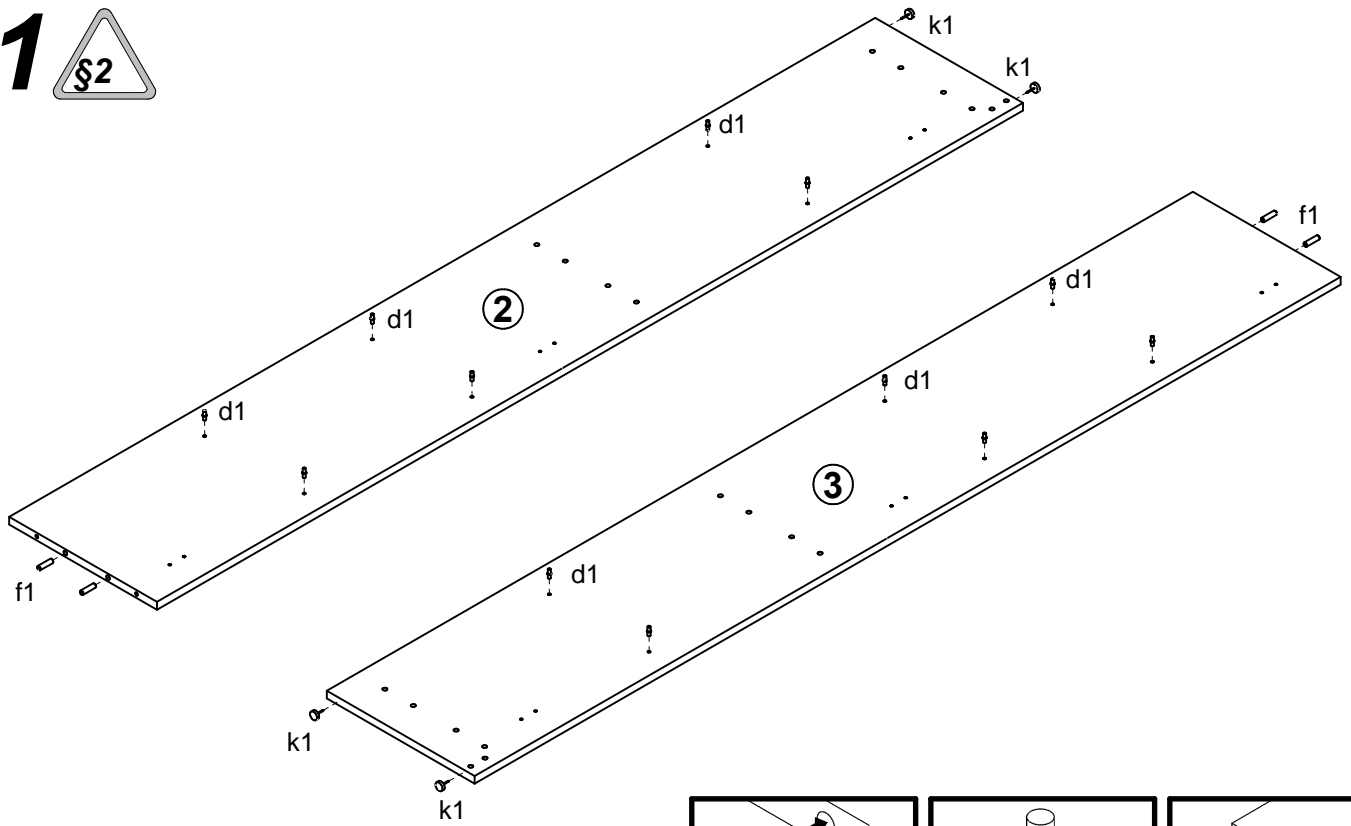
# S301-REG1D

A	B	C	D
1	S301-006	1864	564 3/3
2	S301-109	1946	332 1/3
3	S301-110	1946	332 1/3
4	S301-204	600	333 2/3
5	S301-306	569	329 2/3
6	S301-307	569	311 2/3
7	S301-308	568	310 2/3
8	S301-403	569	61 2/3
9	S301-907	1894	593 1/3

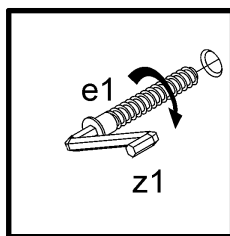
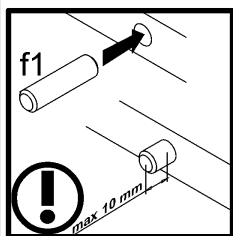
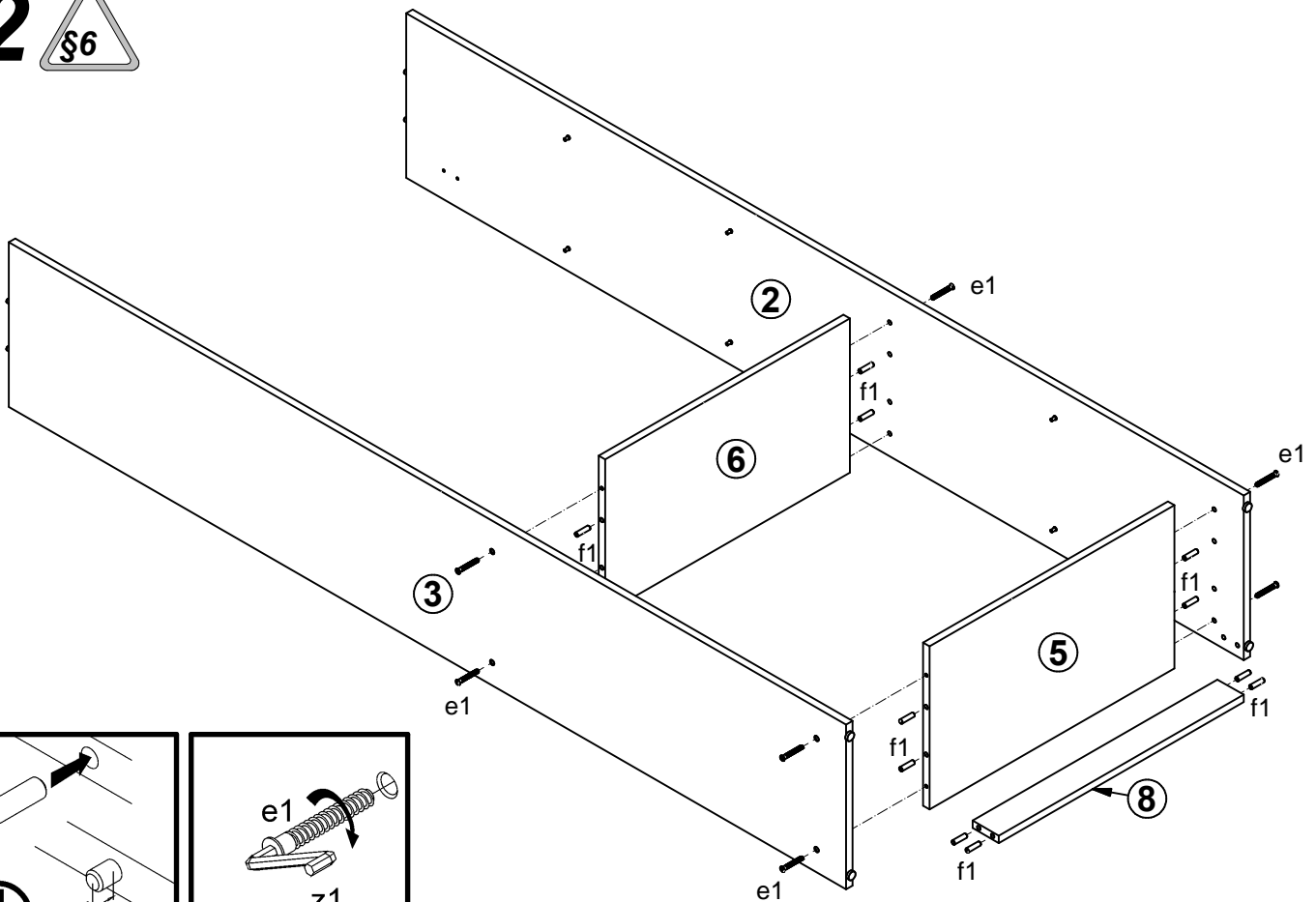


3x  a43	3x  b19	1x  c310	12x  Ø5x17 mm d1	12x  Ø7x50 mm e1	16x  Ø8x30 mm f1	4x  k1	55x  l1	6x  Ø3.5x15 mm p51
2x  Ø4x25 mm p87	8x  s1	1x  n26\1	1x  Ø3.5x16 mm p38	1x  z1				

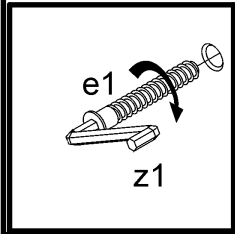
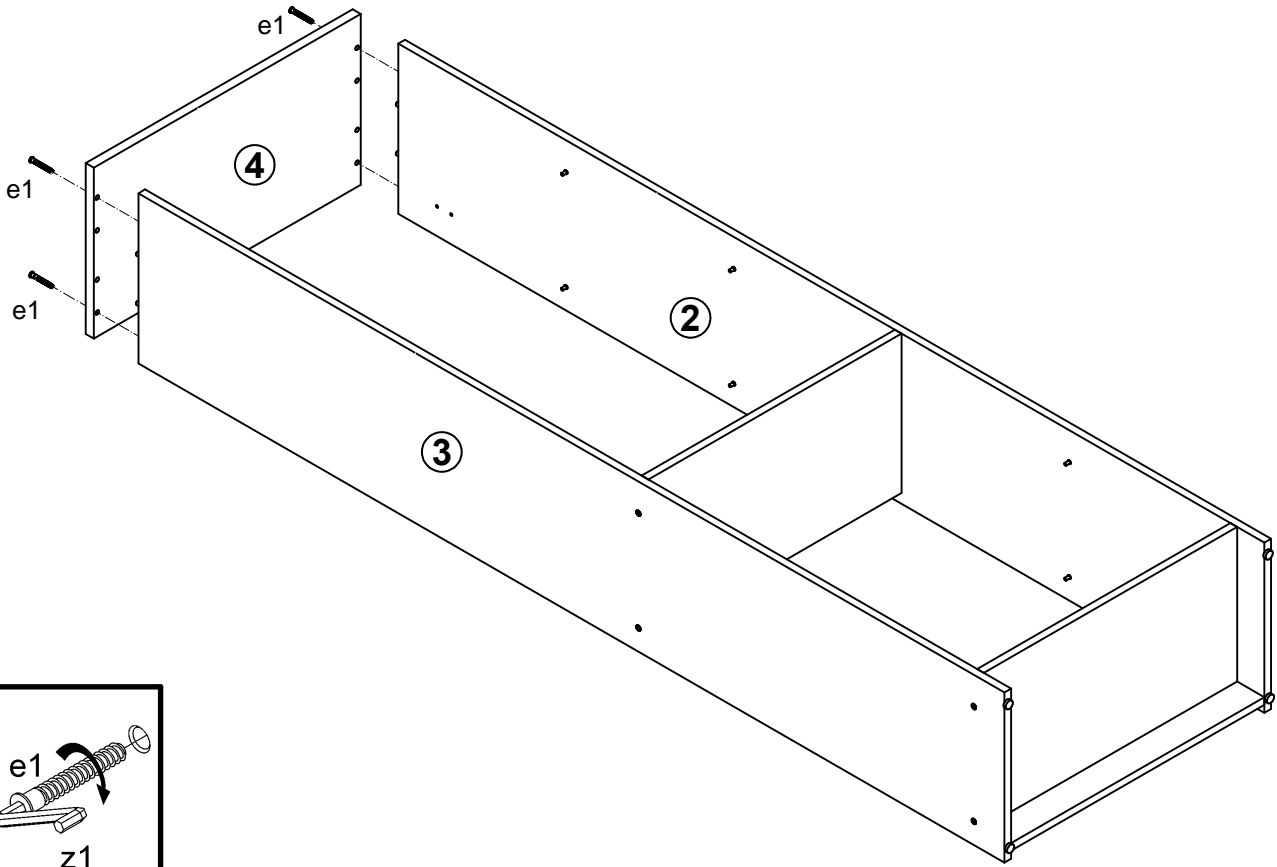
# 1



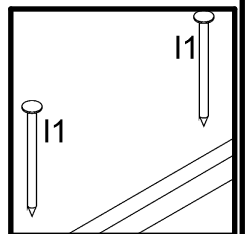
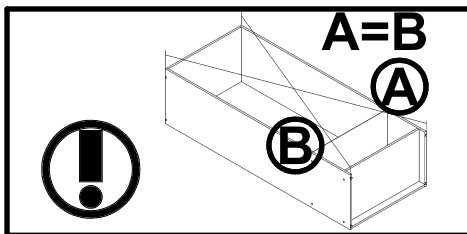
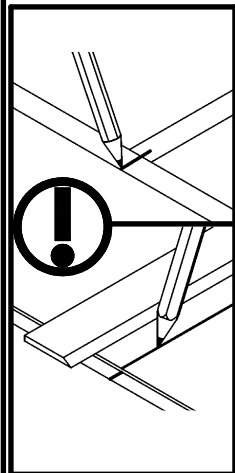
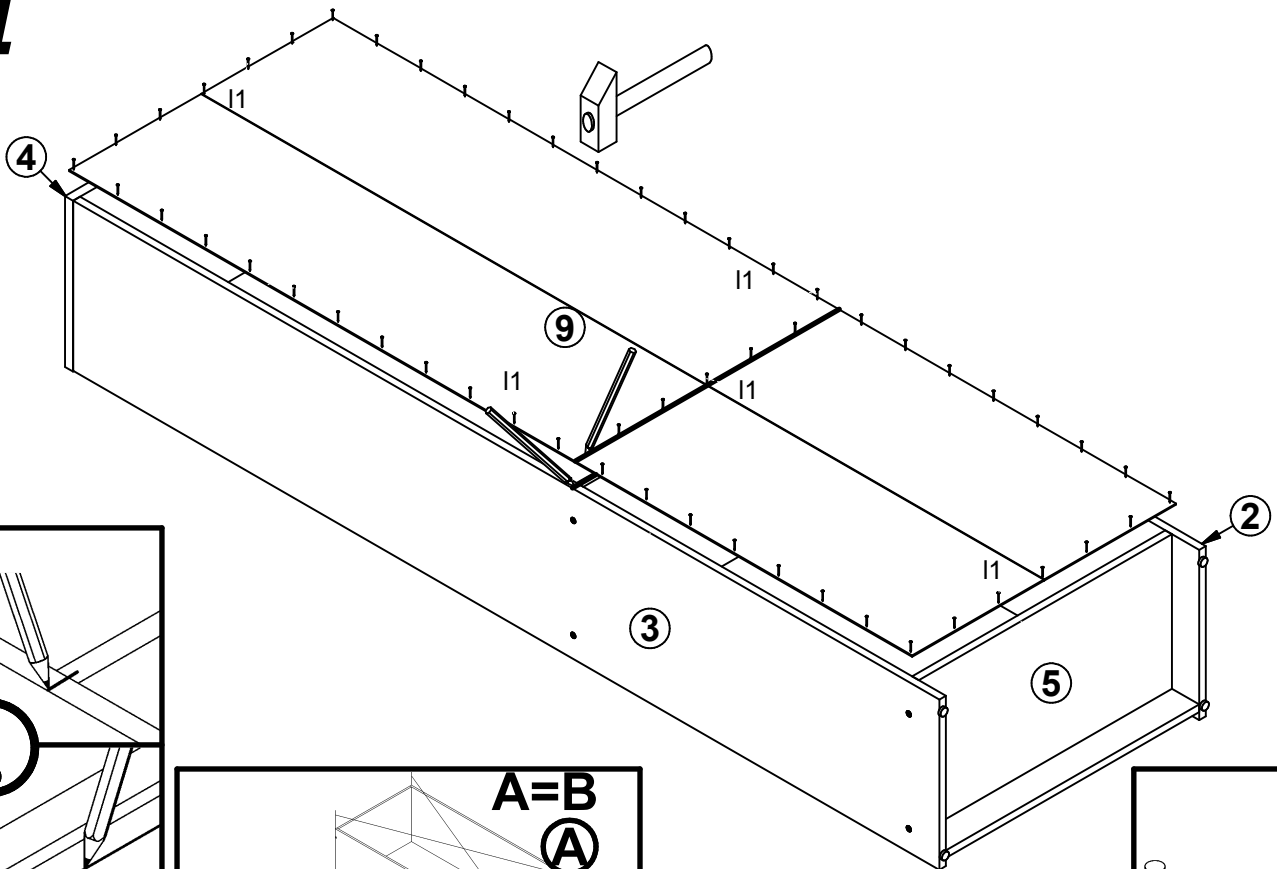
# 2



# 3



# 4



# 5

