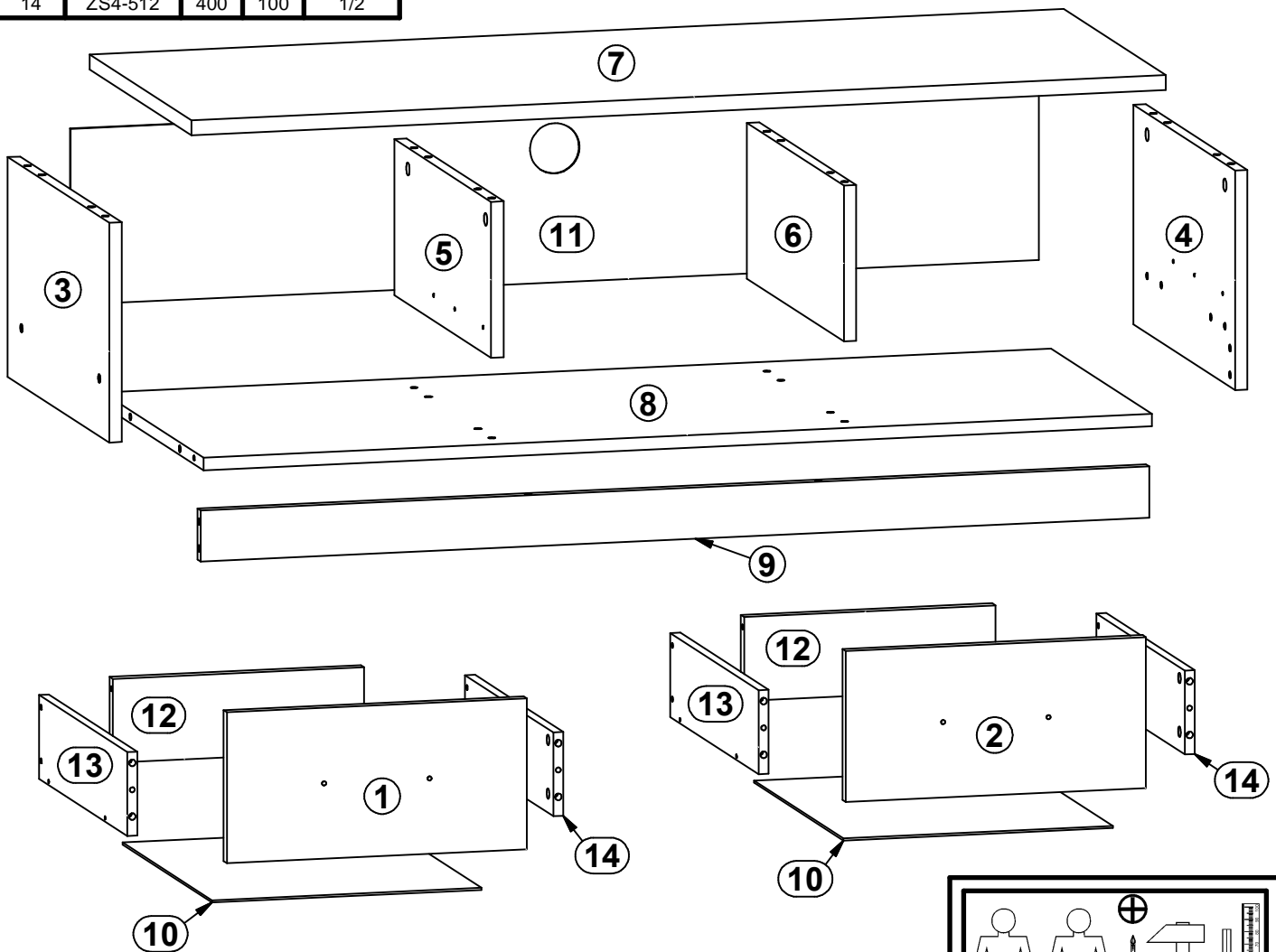
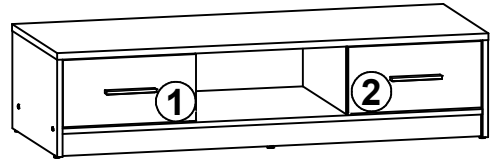


NEPO

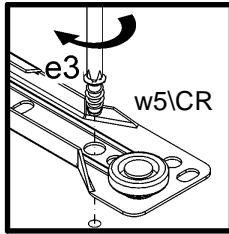
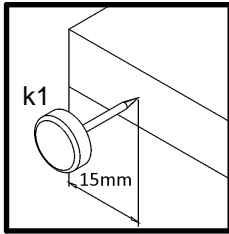
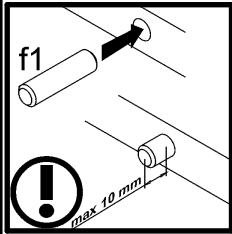
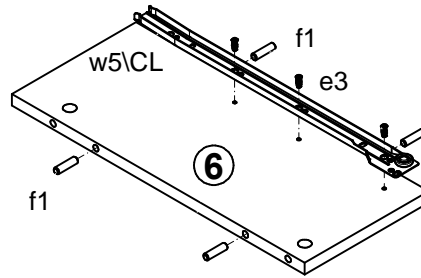
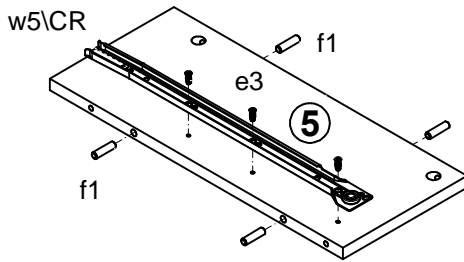
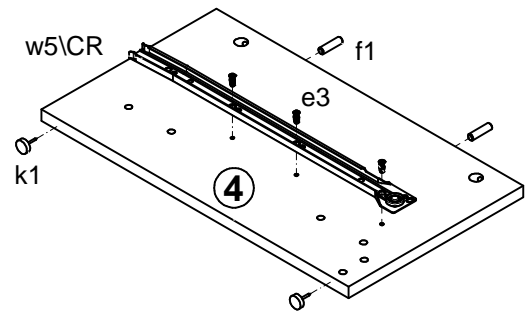
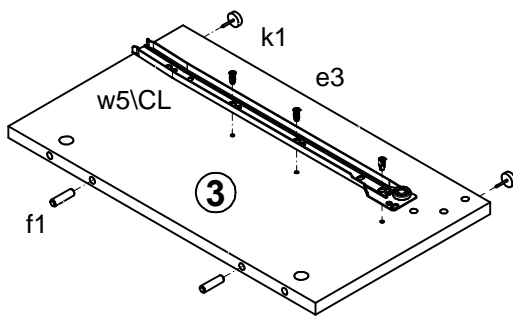
S301-RTV2S

| A | B | C | D |
|----|----------|------|-----|
| 1 | S301-009 | 364 | 180 |
| 2 | S301-010 | 364 | 180 |
| 3 | S301-117 | 262 | 460 |
| 4 | S301-118 | 262 | 460 |
| 5 | S301-119 | 186 | 439 |
| 6 | S301-120 | 186 | 439 |
| 7 | S301-207 | 1182 | 461 |
| 8 | S301-314 | 1151 | 457 |
| 9 | S301-402 | 1151 | 61 |
| 10 | S301-912 | 327 | 405 |
| 11 | S301-913 | 1175 | 210 |
| 12 | ZS3-5549 | 305 | 100 |
| 13 | ZS4-511 | 400 | 100 |
| 14 | ZS4-512 | 400 | 100 |

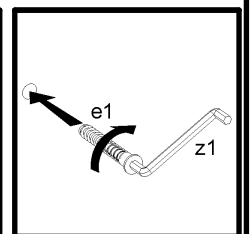
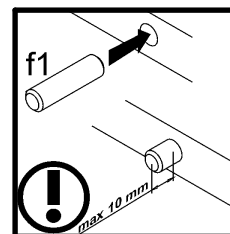
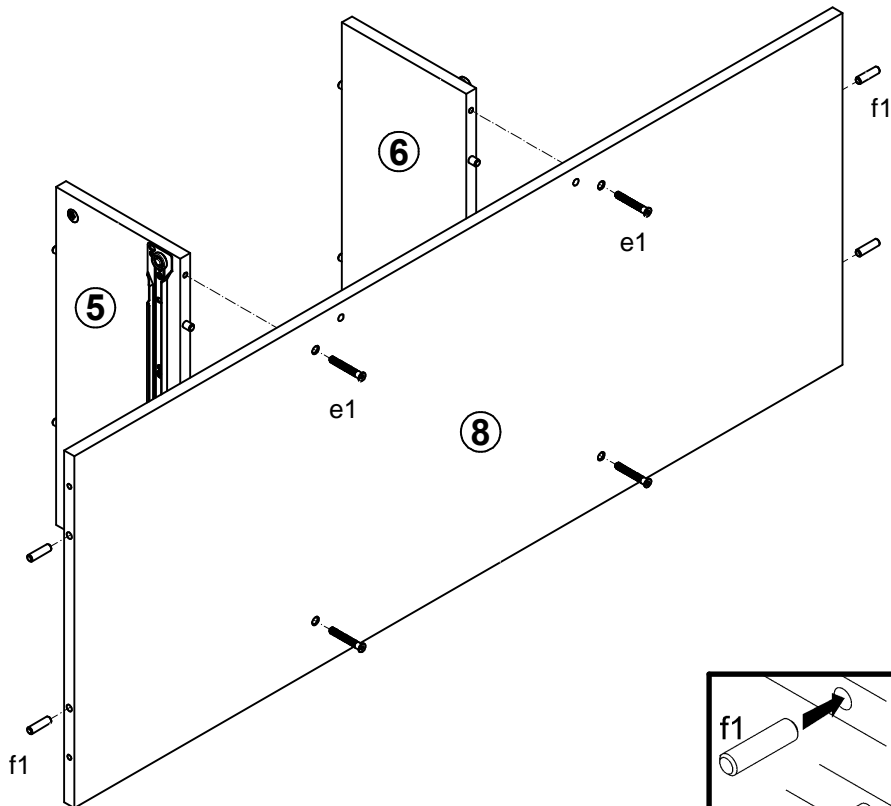


| | | | | | | | | | |
|-----------------------------|---------------------------|-------------------------------|----------------------------------|---------------------------|--------------------------|-----------------------------|---------------------------|---------------------------|--|
| 2x c310 | 8x Ø7x50 mm e1 | 12x Ø6x13 mm e3 | 8x Ø5x9 mm e19 | 22x Ø8x30 mm f1 | 4x Ø6x30 mm f9 | 8x Ø6.5x40 mm f25 | 5x k1 | 30x l1 | |
| 6x Ø3.5x16 mm p38 | 4x Ø4x25 mm p87 | 8x Ø15x12 mm #16 r1 | 8x Ø12x10.5 mm #12 r15 | 16x r42 | 4x s1 | 4x Ø16 s2 | 2x 400 mm w5\CL | 2x 400 mm w5\CR | |
| 2x 400 mm w5\DL | 2x 400 mm w5\DR | 1x z1 | | | | | | | |

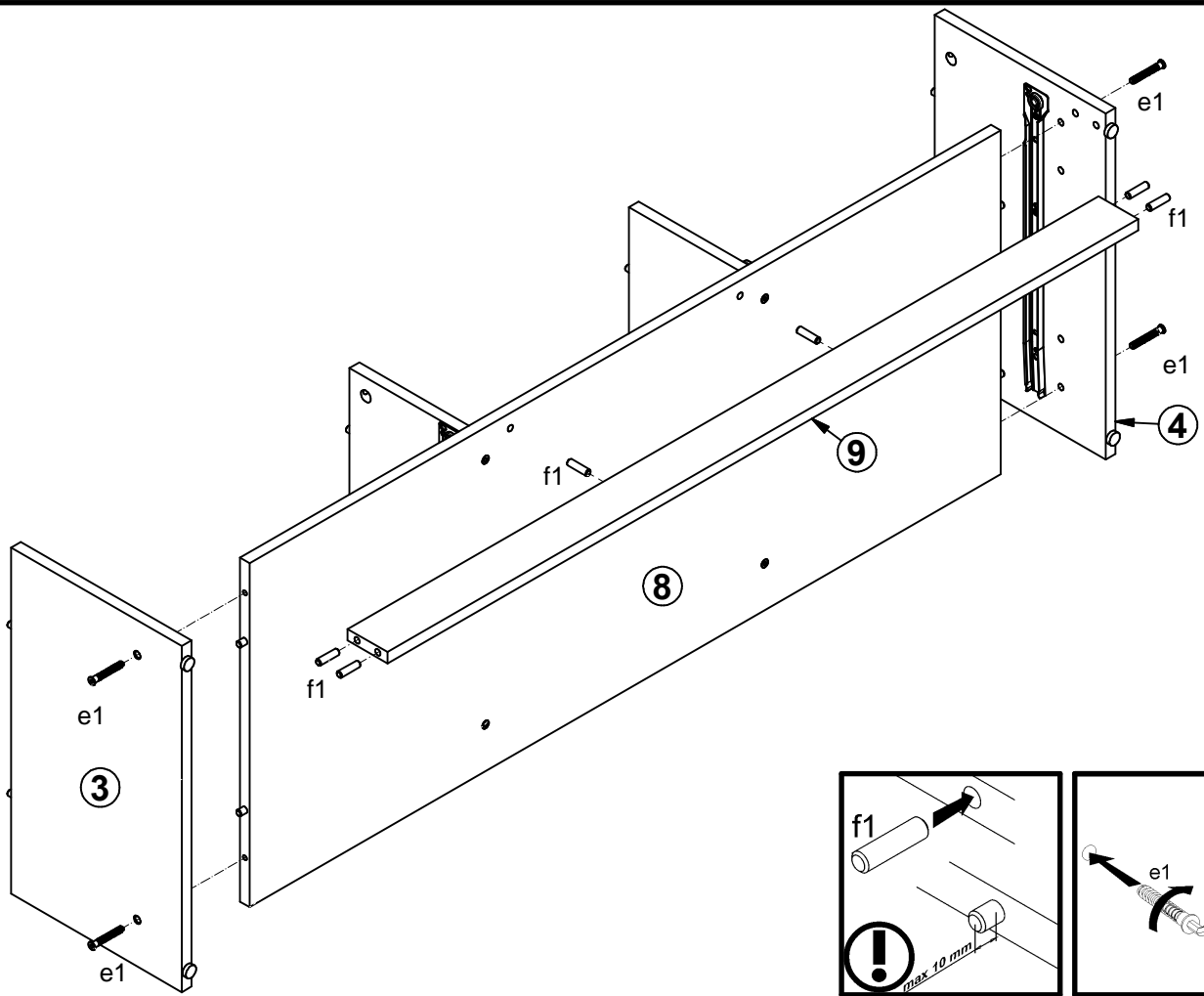
1



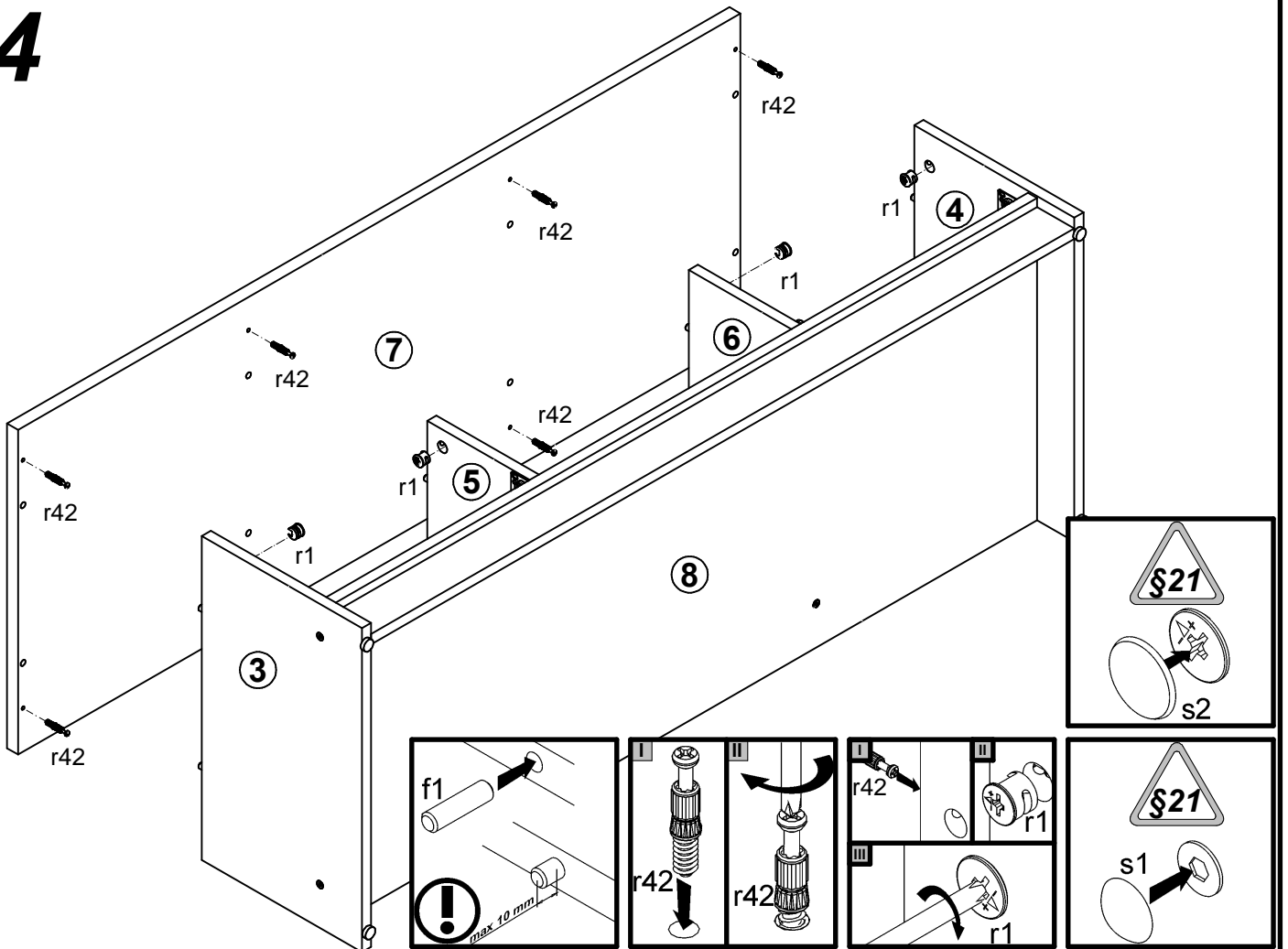
2



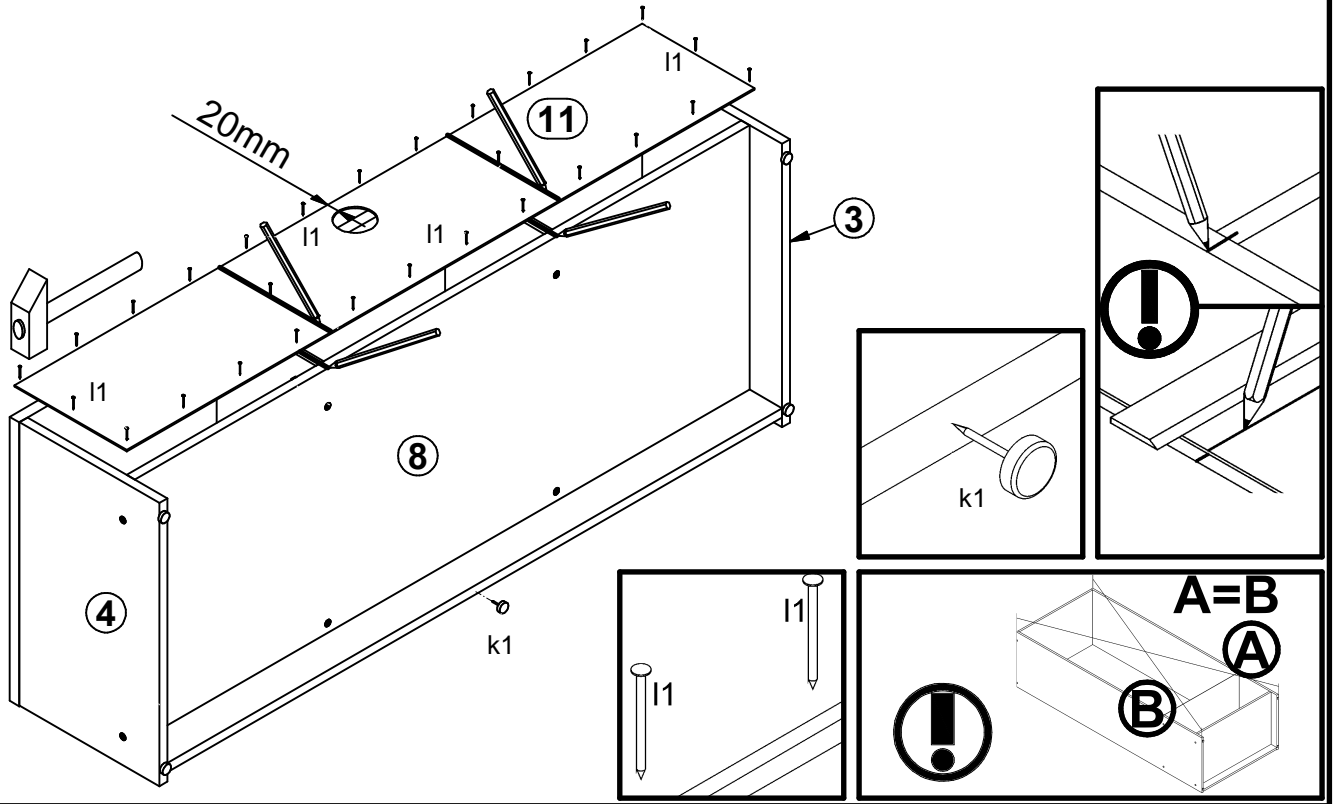
3



4



5



6

