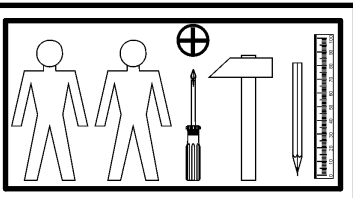
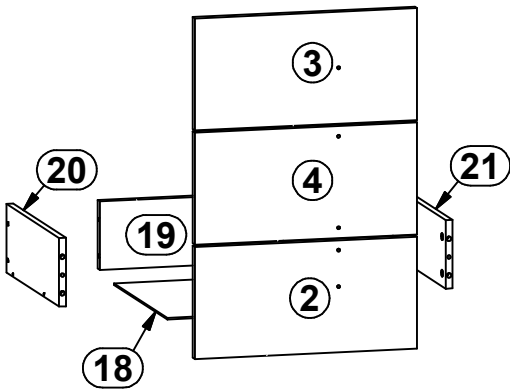
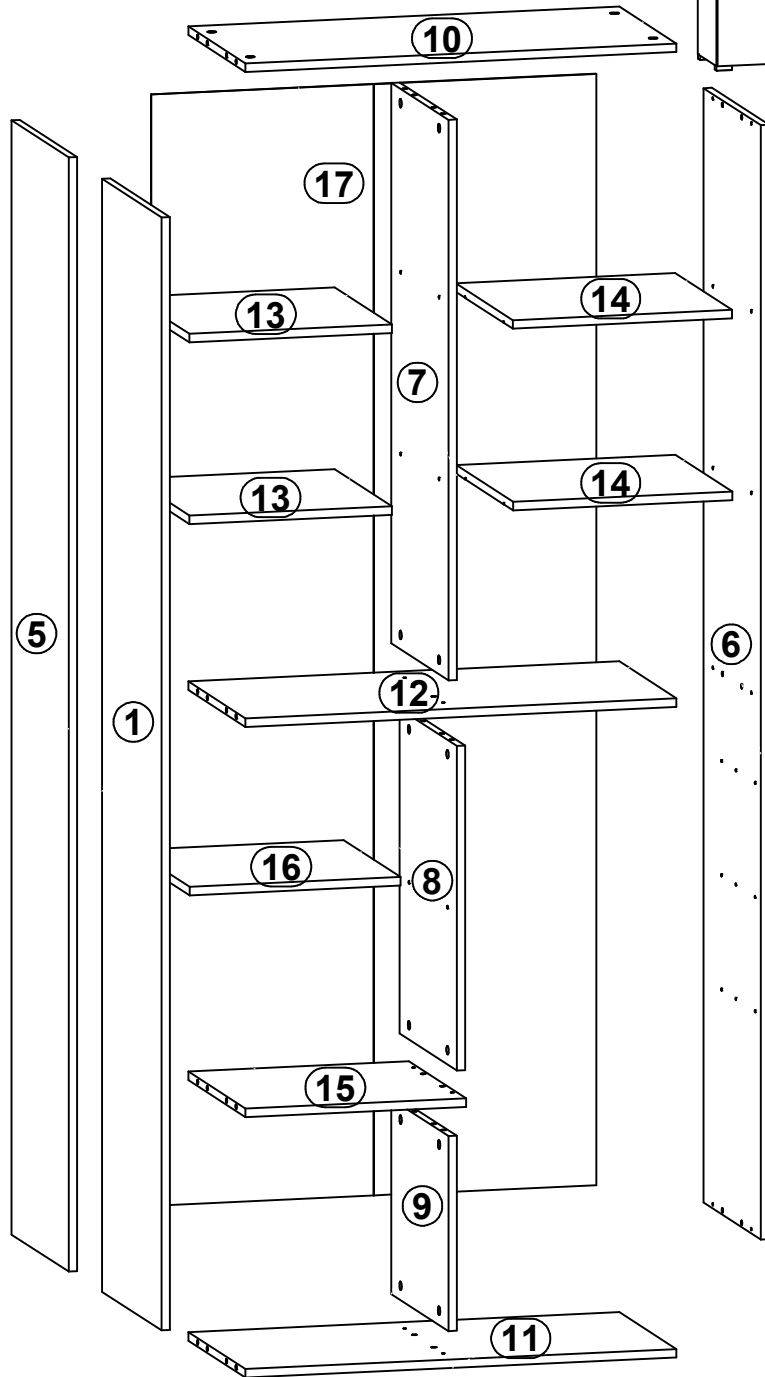
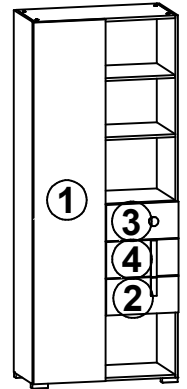
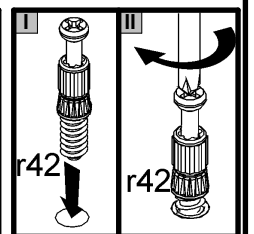
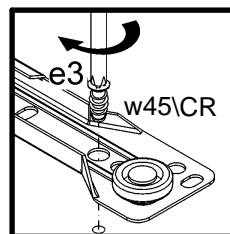
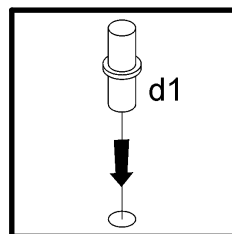
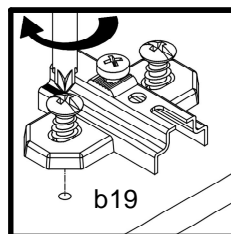
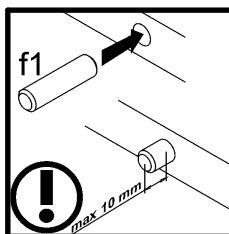
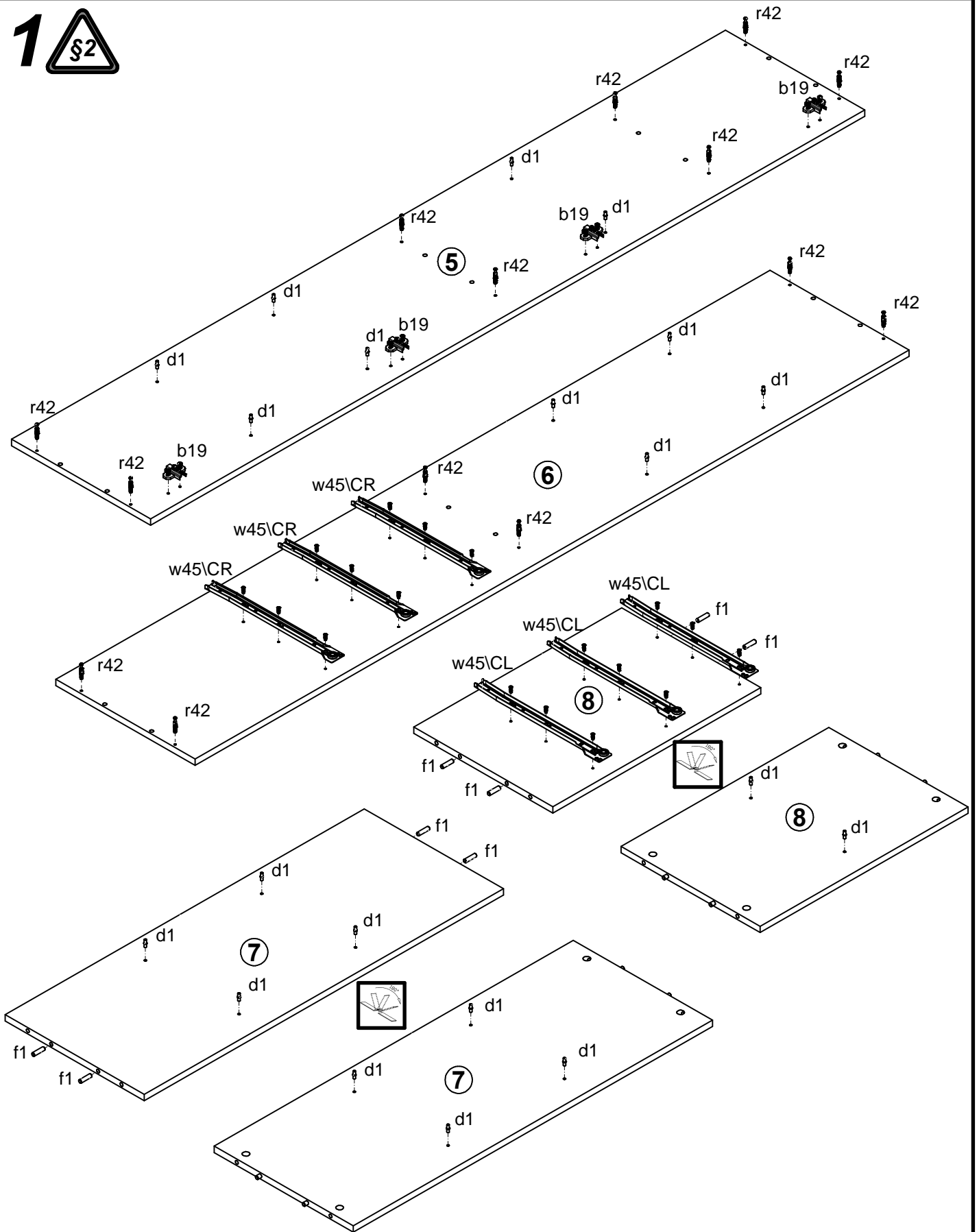


A	B	C	D	
1	S309-011	1948	396	3/3
2	S309-012	396	196	3/3
3	S309-013	396	196	3/3
4	S309-014	396	196	3/3
5	S309-119	1950	380	1/3
6	S309-120	1950	380	1/3
7	S309-121	981	380	1/3
8	S309-124	568	380	1/3
9	S309-125	341	380	1/3
10	S309-316	768	380	2/3
11	S309-317	768	380	2/3
12	S309-319	768	380	2/3
13	S309-320	361	380	2/3
14	S309-321	391	379	3/3
15	S309-322	393	380	2/3
16	S309-323	376	380	2/3
17	S309-913	1945	793	3/3
18	S309-914	349	355	2/3
19	ZS3-5587	327	120	2/3
20	ZS4-501	350	120	2/3
21	ZS4-502	350	120	2/3

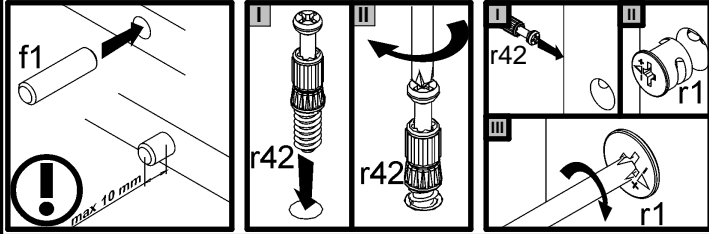
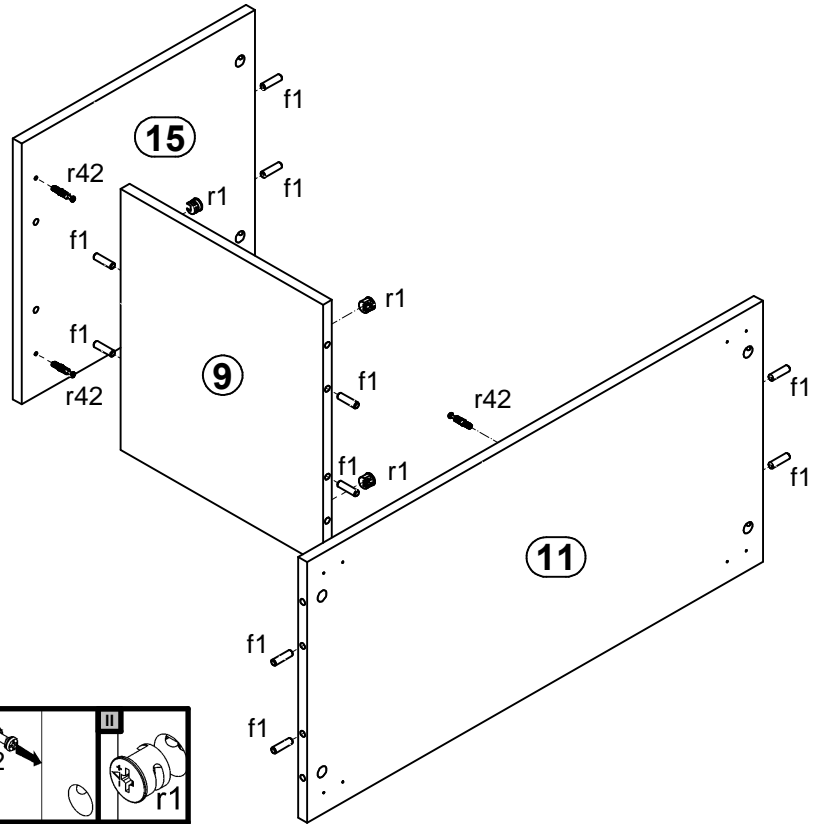


4x a44	4x b19	1x c391\1	1x c391\2 98mm	1x c391\3 196mm	20x d1 Ø5x17 mm	12x e19 Ø5x9 mm	18x e3 Ø6x13 mm	26x f1 Ø8x30 mm
12x f25 Ø6.5x40 mm	6x f9 Ø6x30 mm	4x k77 84x40/25 mm	80x l1	8x p36 Ø4x25 mm	9x p38 Ø3.5x15 mm	8x p51 Ø3.5x15 mm	5x p87 Ø4x25 mm	26x r1 Ø15x12 mm #16
12x r15 Ø12x10.5 mm #12	38x r42	3x w45\CL 350 mm	3x w45\CR 350 mm	3x w45\DL 350 mm	3x w45\DR 350 mm	12x s2 Ø16	1x n26\1	1x p38 Ø3.5x16 mm

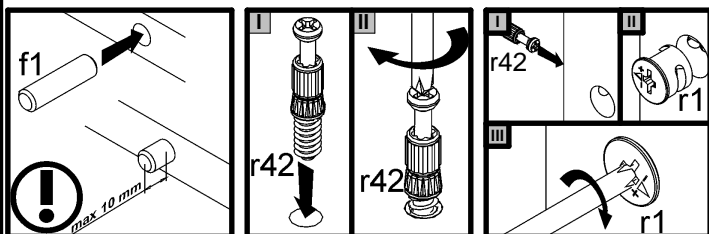
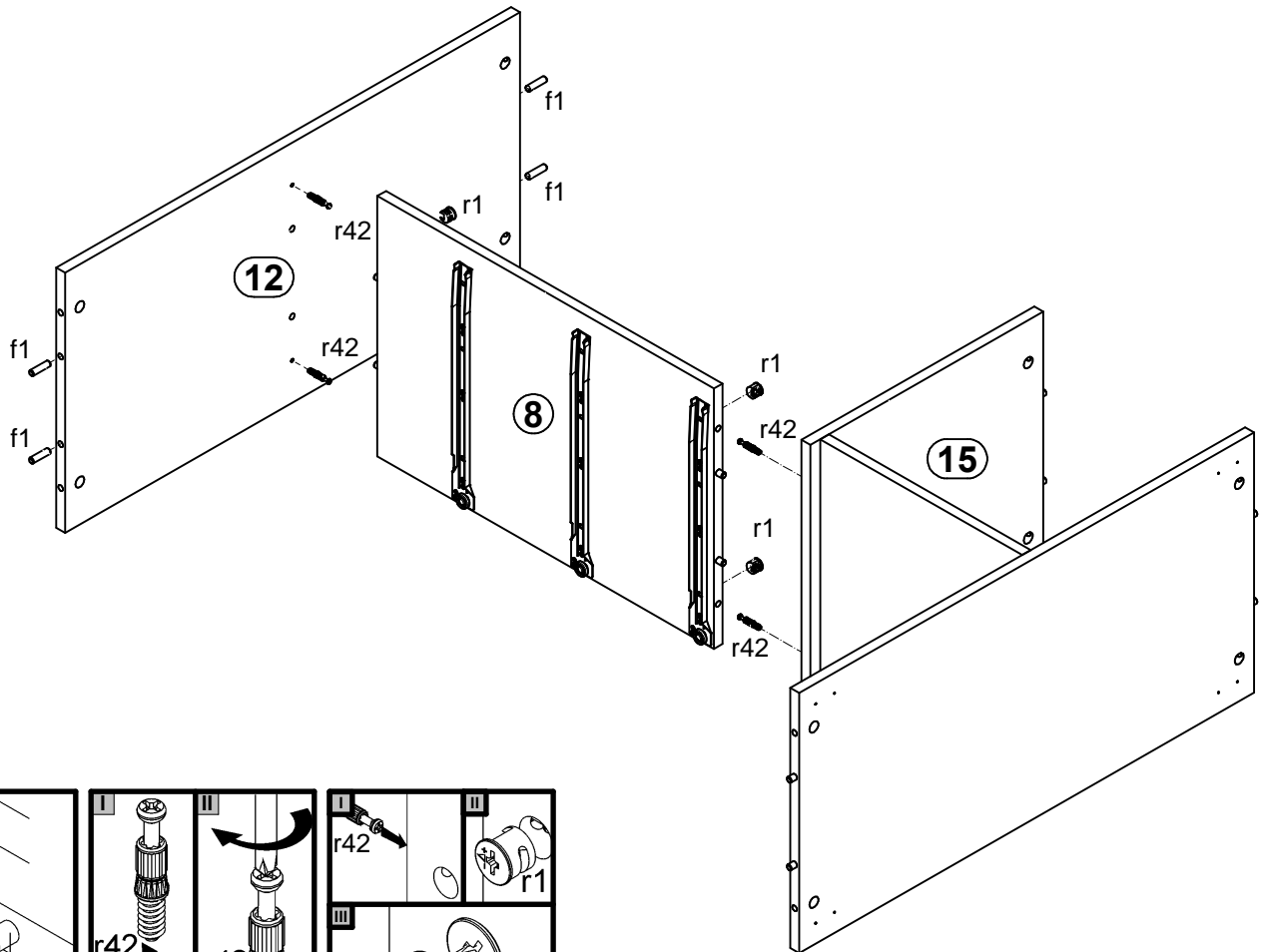
1 



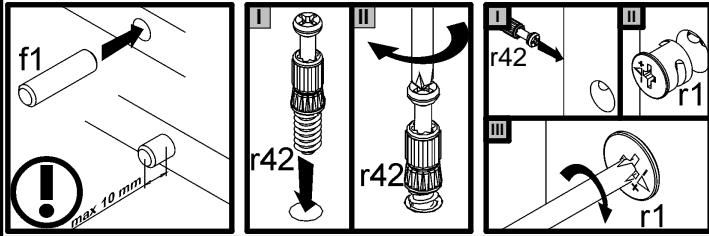
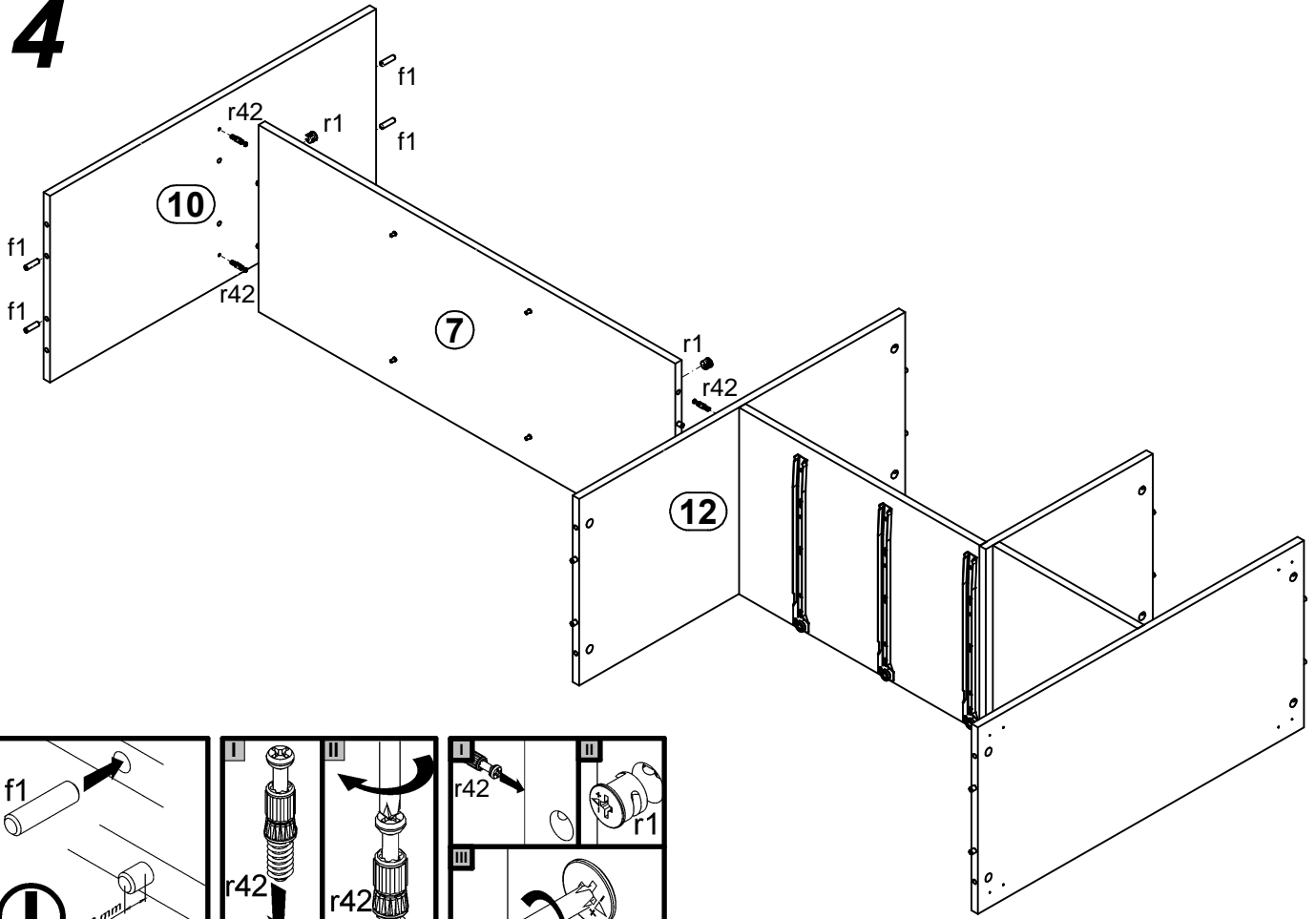
2



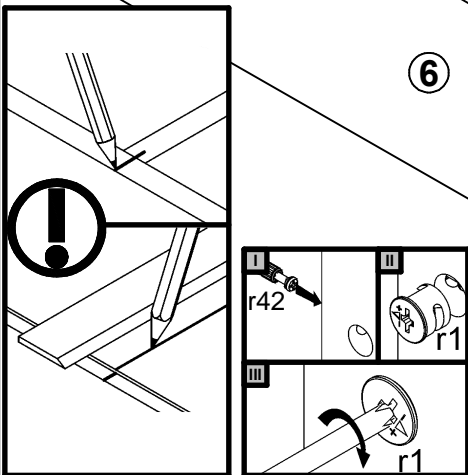
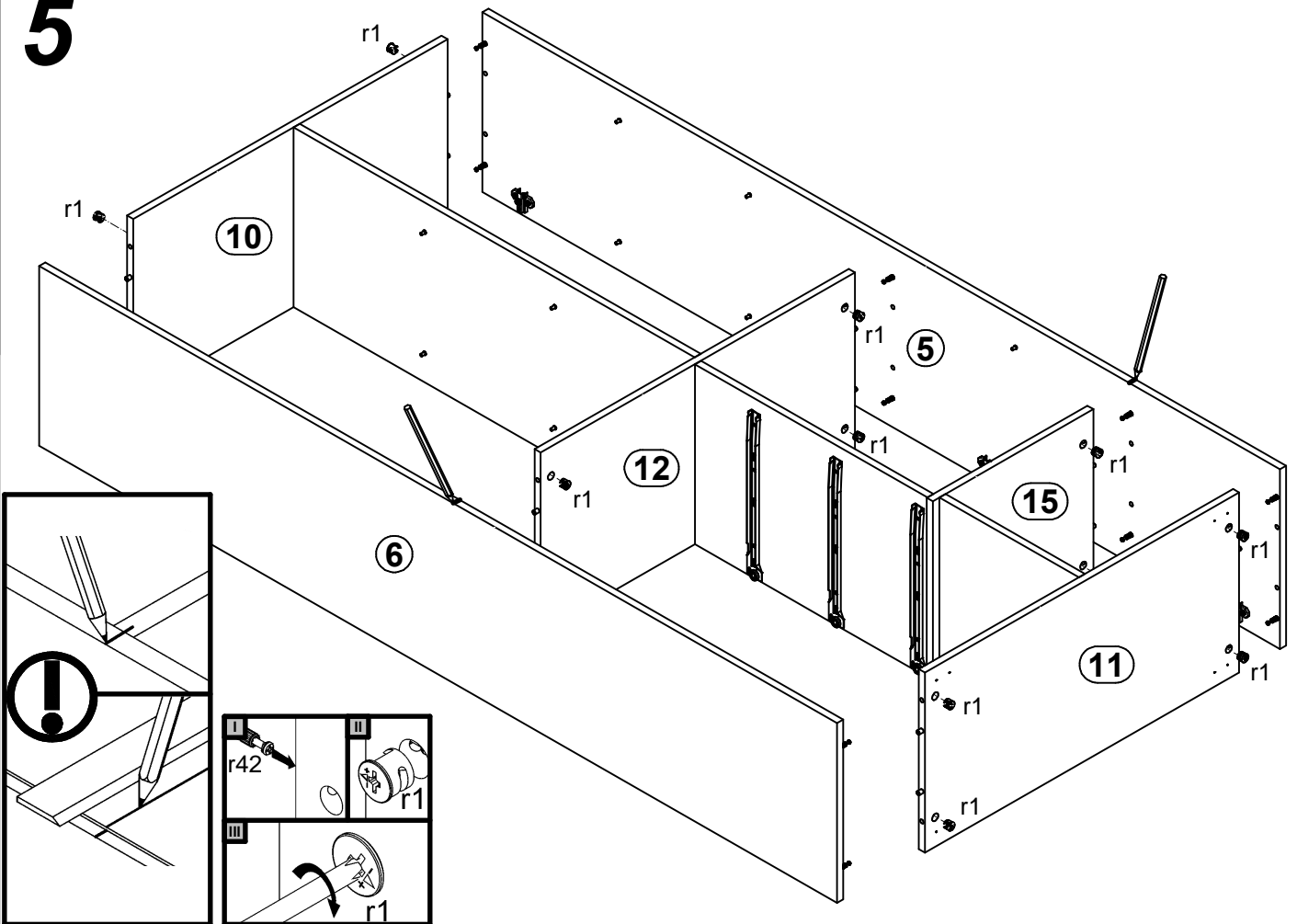
3



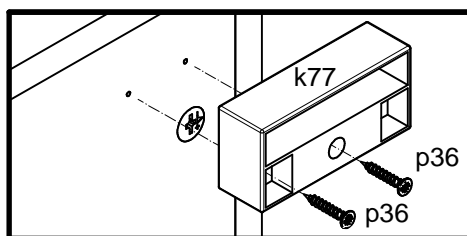
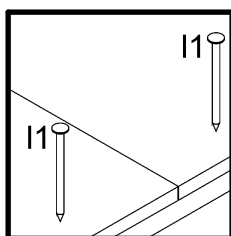
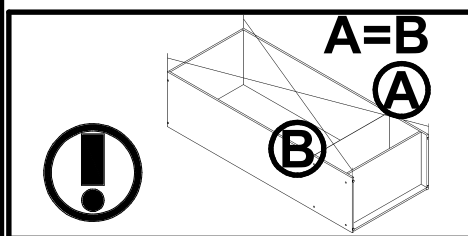
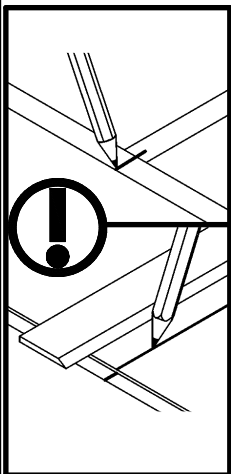
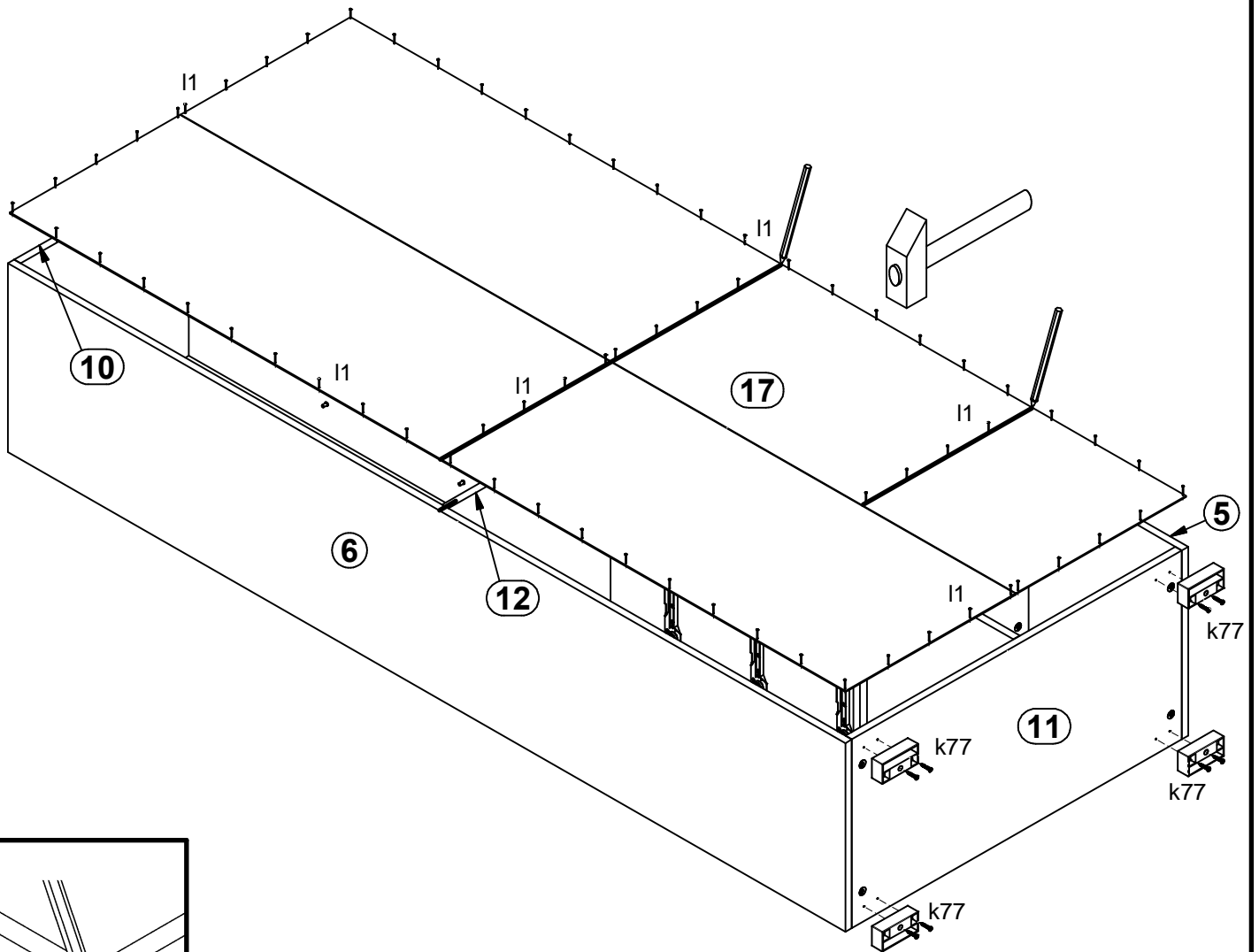
4



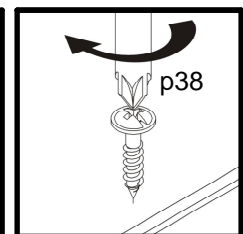
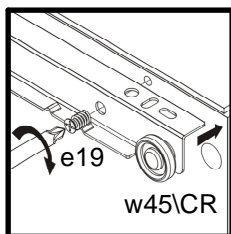
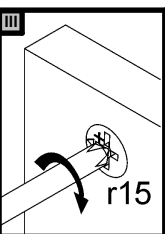
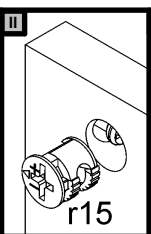
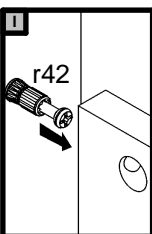
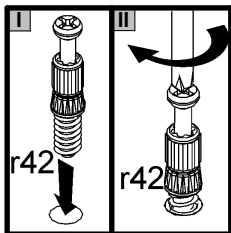
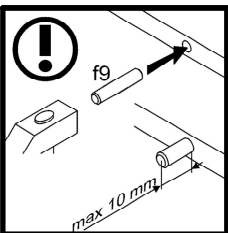
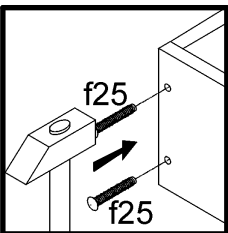
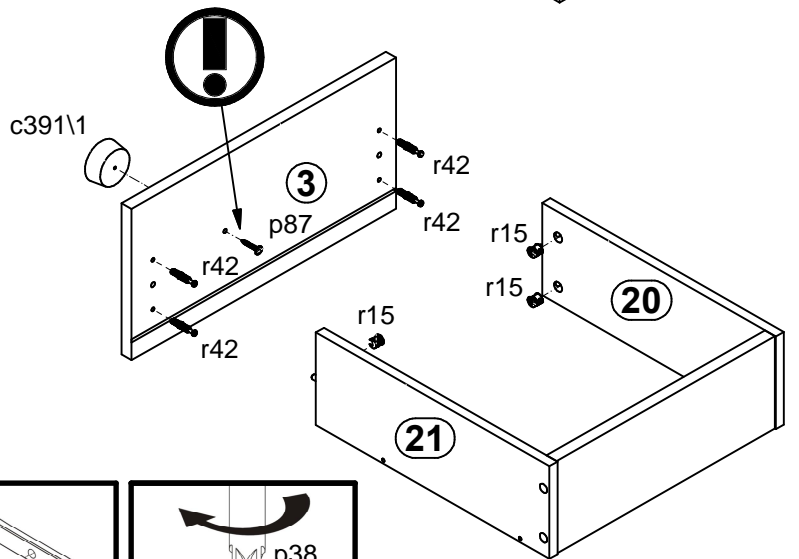
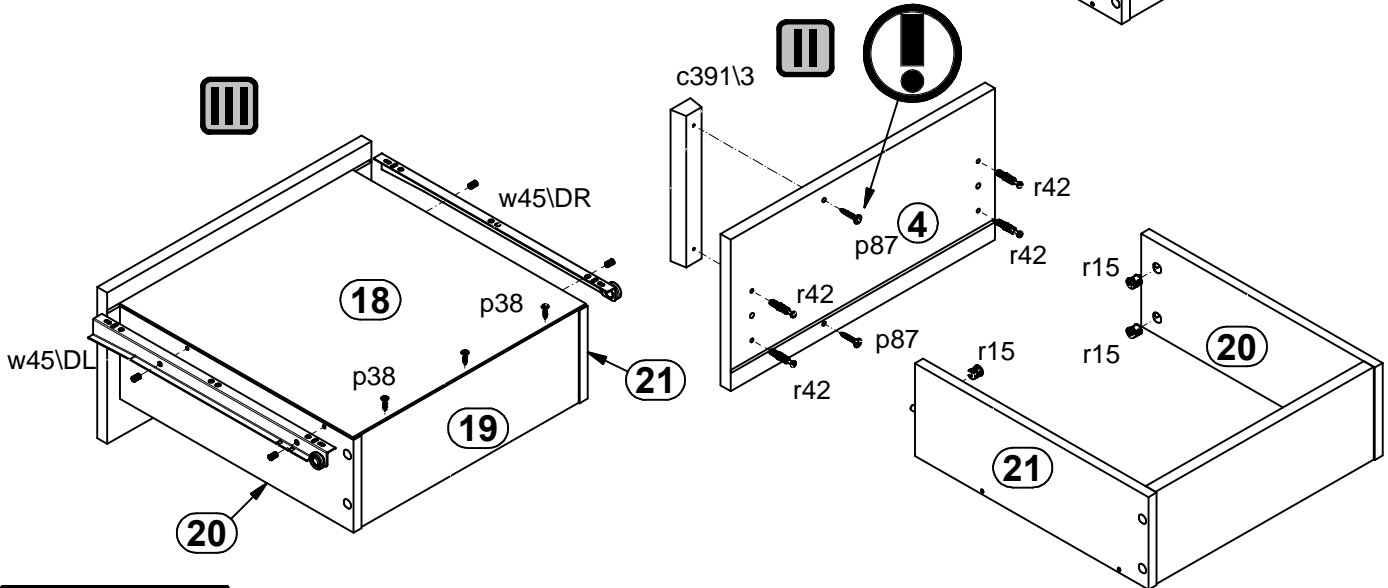
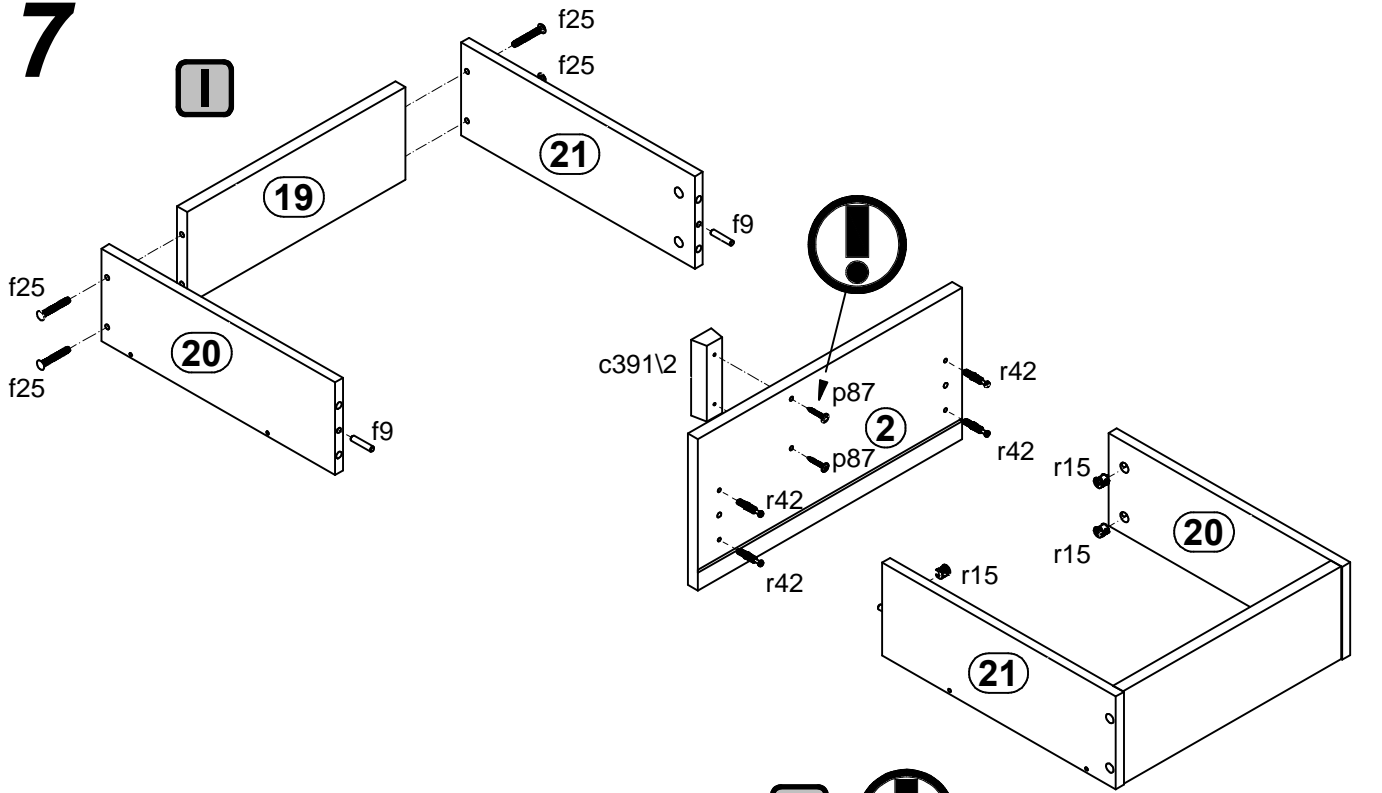
5



6



7



8

