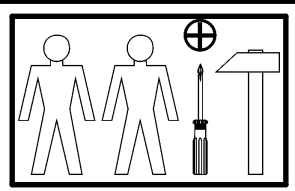
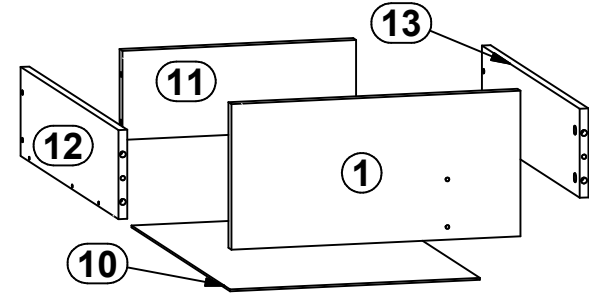
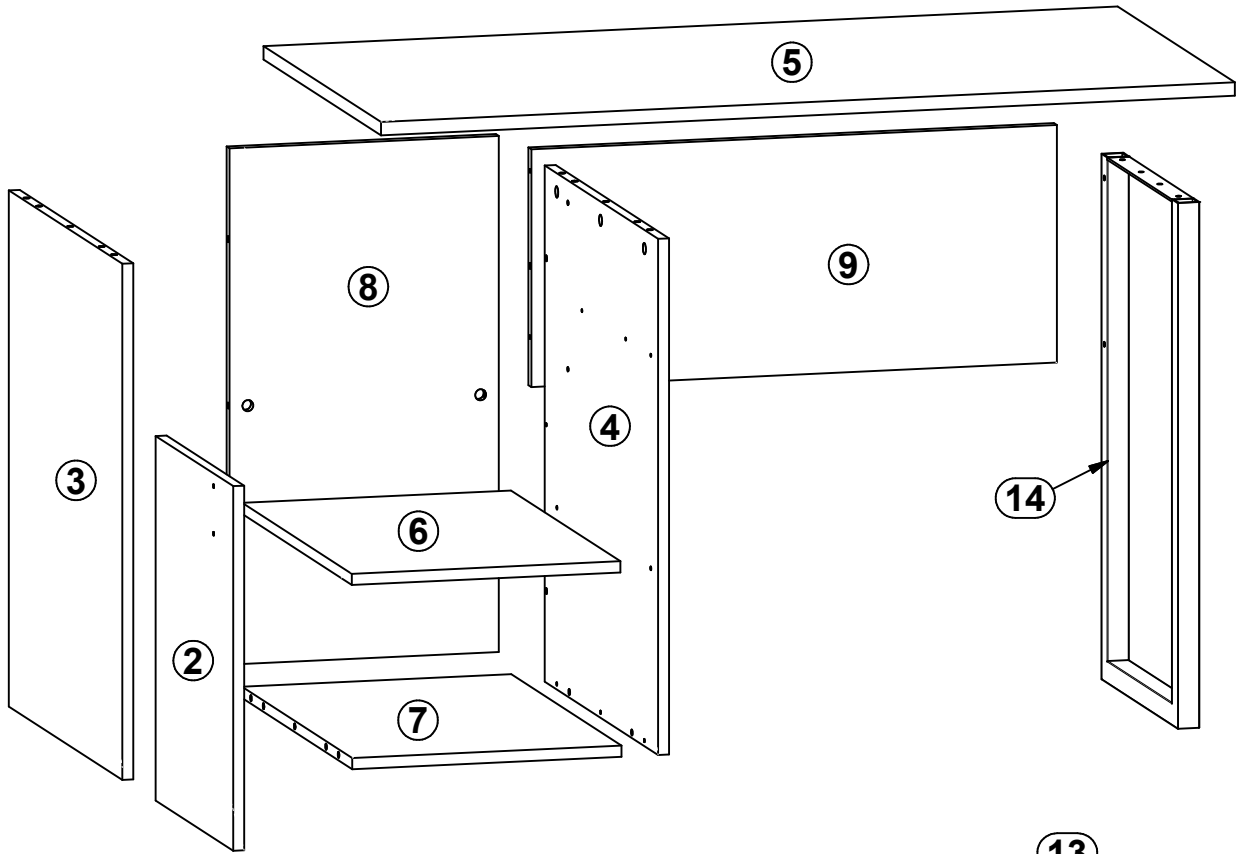
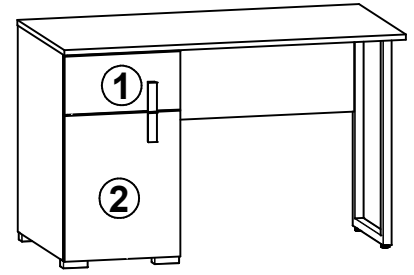
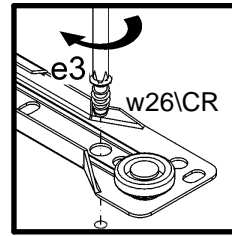
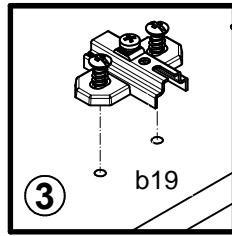
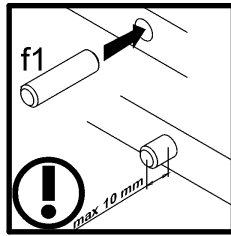
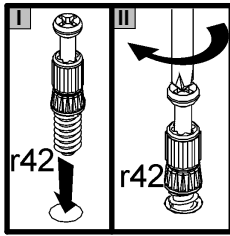
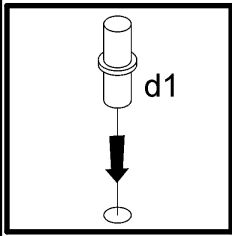
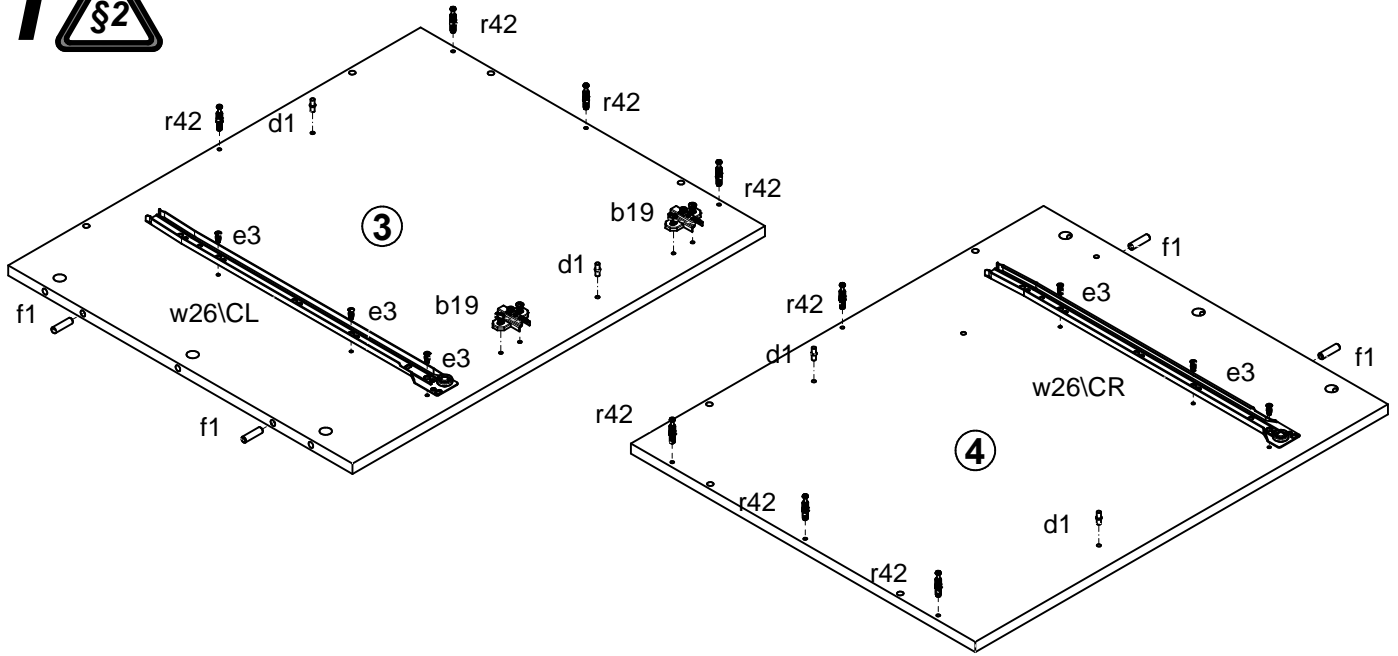


A	B	C	D	A	B	C	D		
1	S309-006	396	196	3/3	8	S309-404	695	369	1/3
2	S309-007	491	396	3/3	9	S309-405	720	320	3/3
3	S309-115	695	580	1/3	10	S309-910	342	505	1/3
4	S309-116	695	580	1/3	11	ZS3-5507	320	120	1/3
5	S309-203	1170	600	1/3	12	ZS4-505	500	120	1/3
6	S309-313	368	560	1/3	13	ZS4-506	500	120	1/3
7	S309-314	369	564	1/3	14	k88\1	708	390	2/3

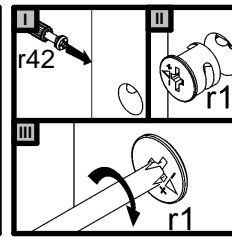
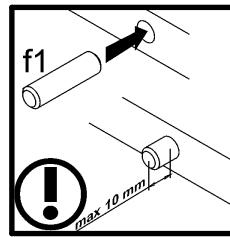
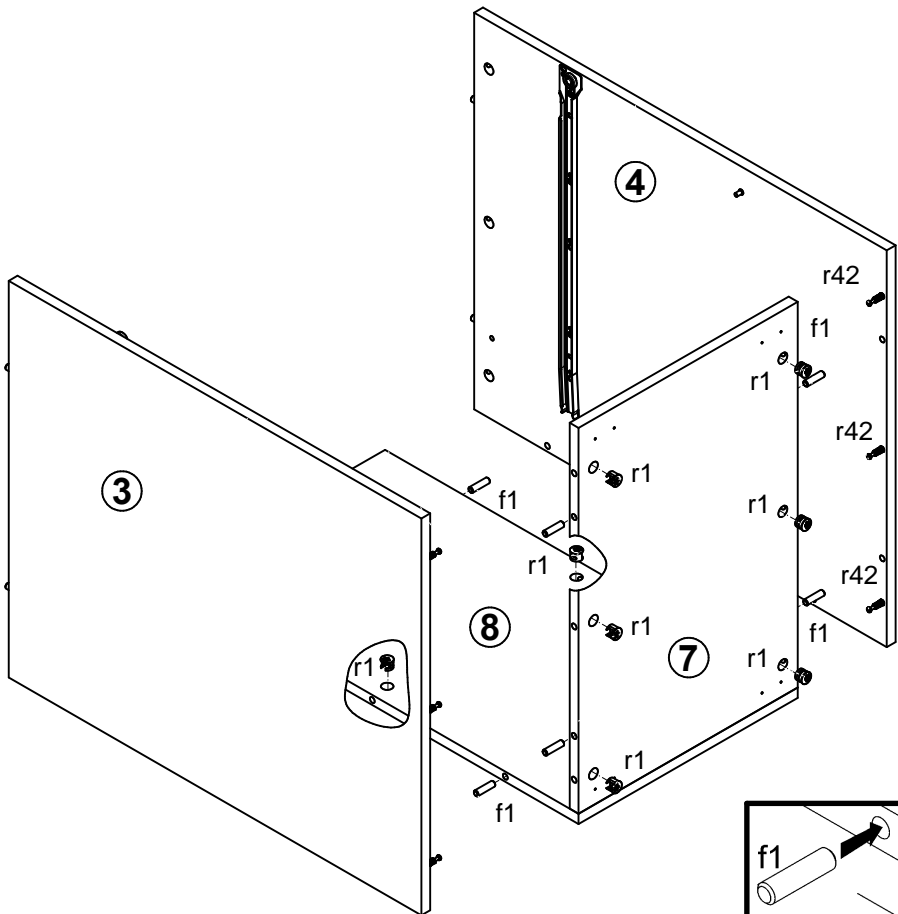


2x  a44	2x  b19	2x  98mm c391\2	4x  Ø5x17 mm d1	6x  Ø6x13 mm e3	4x  Ø6.3x16 mm e7	6x  Ø5x9 mm e19	4x  Ø6.3x65 mm e33	13x  Ø8x30 mm f1
2x  Ø6x30 mm f9	4x  Ø6.5x40 mm f25	4x  84x40/25 mm k77	2x  k88\2	8x  Ø4x25 mm p36	3x  Ø3.5x16 mm p38	4x  Ø3.5x15 mm p51	4x  Ø4x25 mm p87	14x  Ø15x12 mm #16 r1
4x  Ø12x10.5 mm #12 r15	18x  r42	4x  Ø16 s2	2x  Ø12x4 mm s41	1x  500 mm w26\CL	1x  500 mm w26\CR	1x  500 mm w26\DL	1x  500 mm w26\DR	

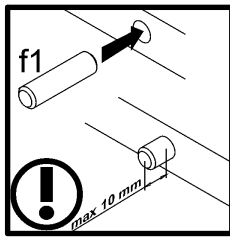
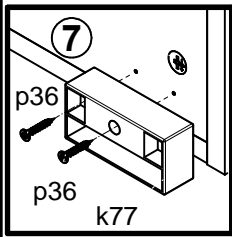
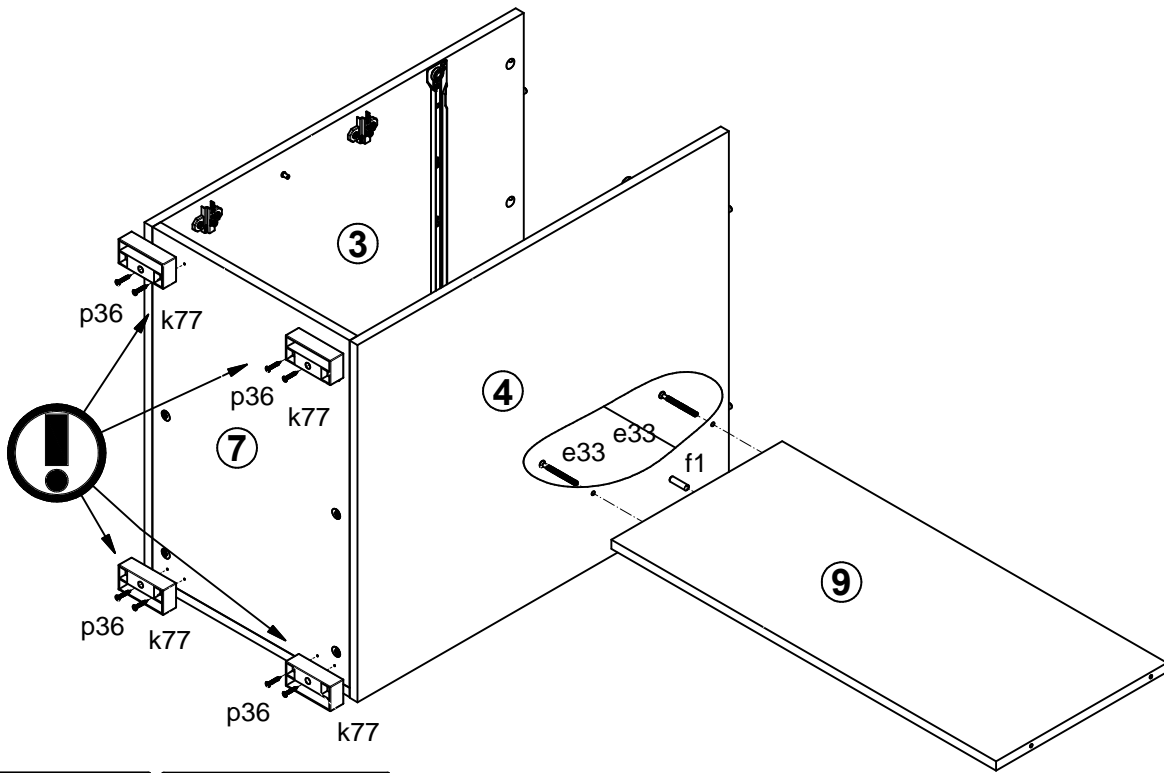
# 1



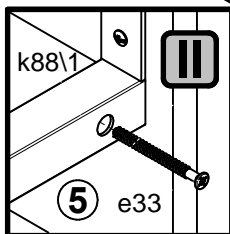
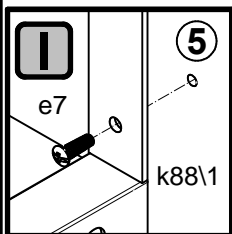
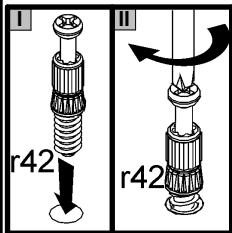
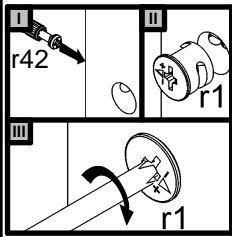
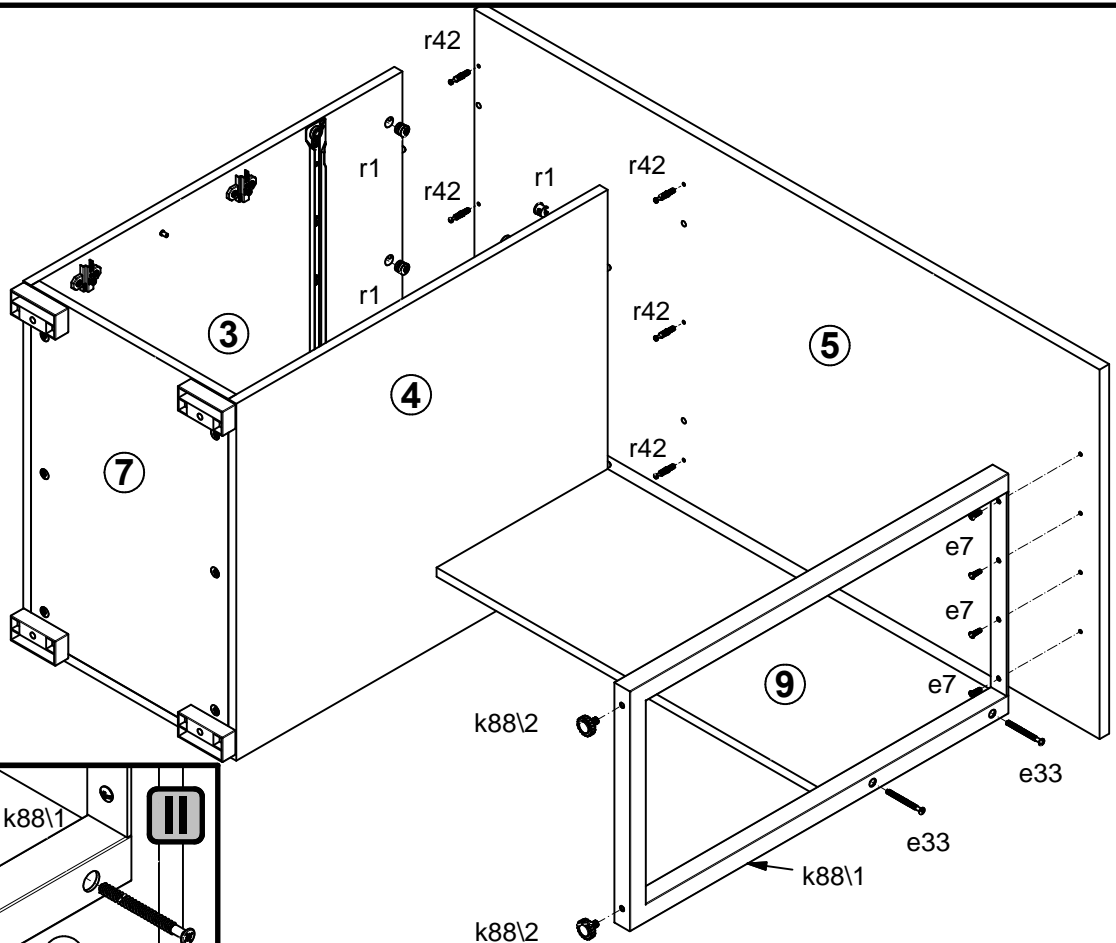
# 2



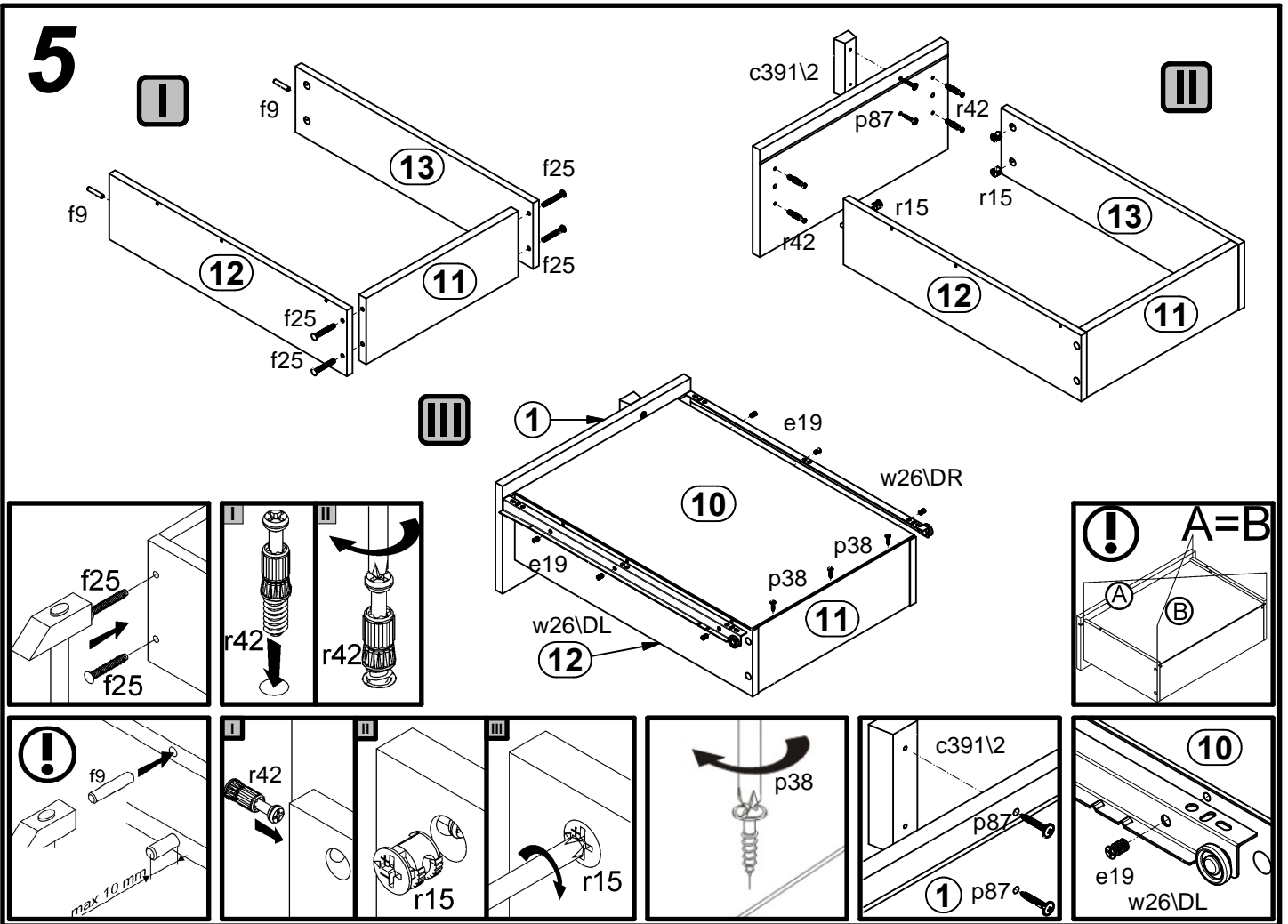
# 3



# 4



# 5



# 6

