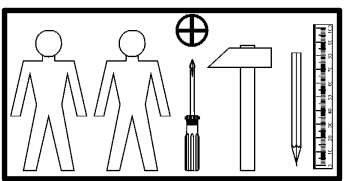
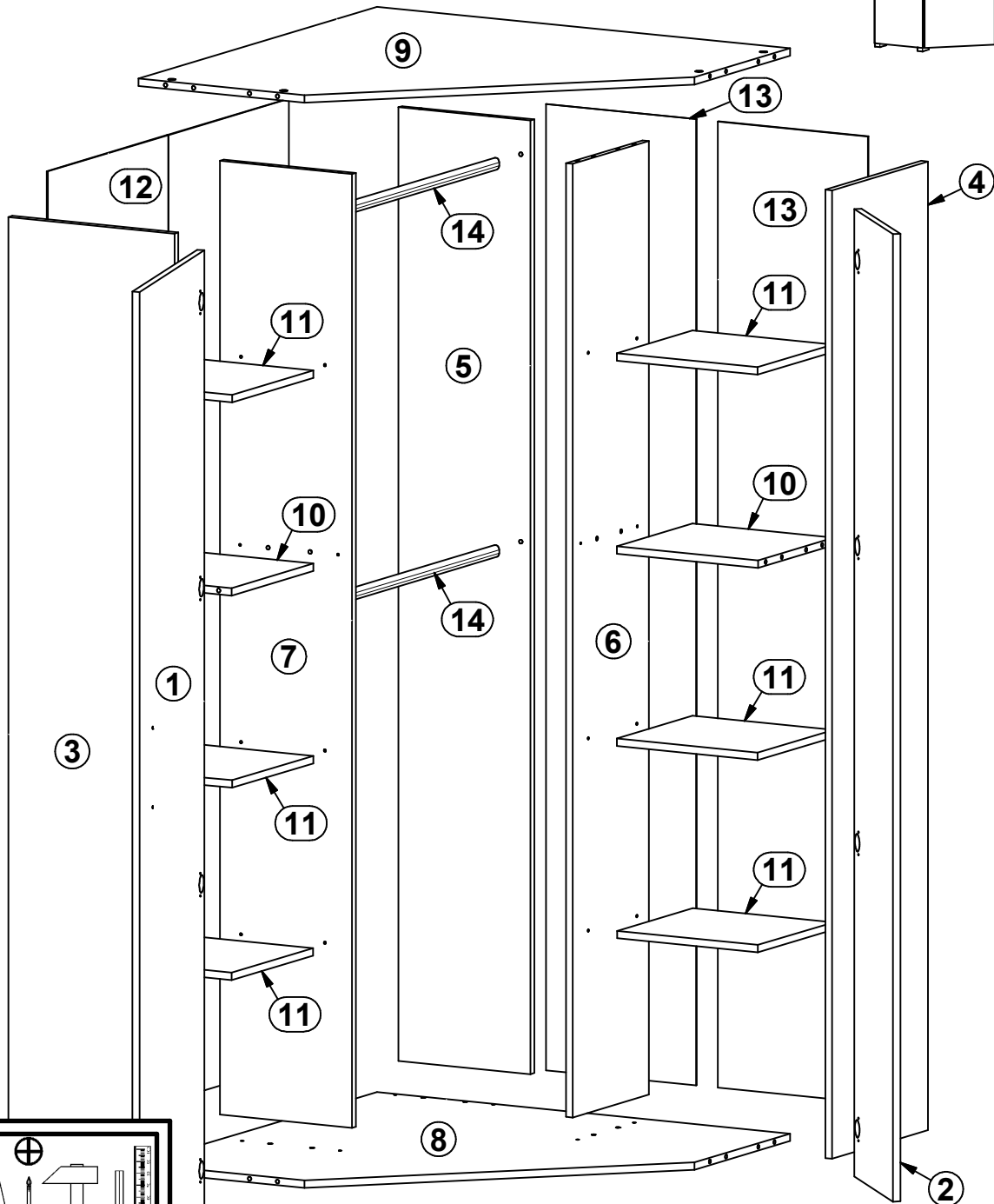
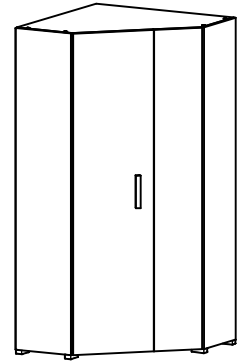
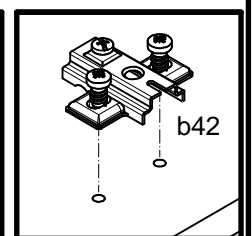
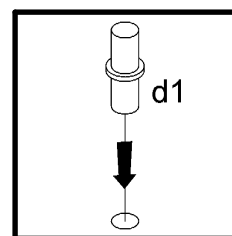
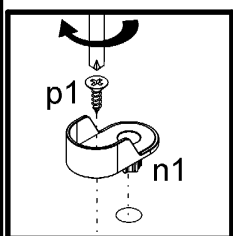
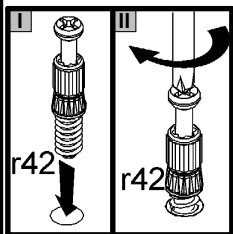
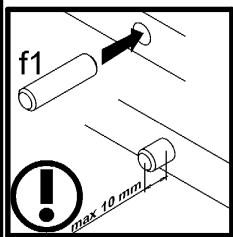
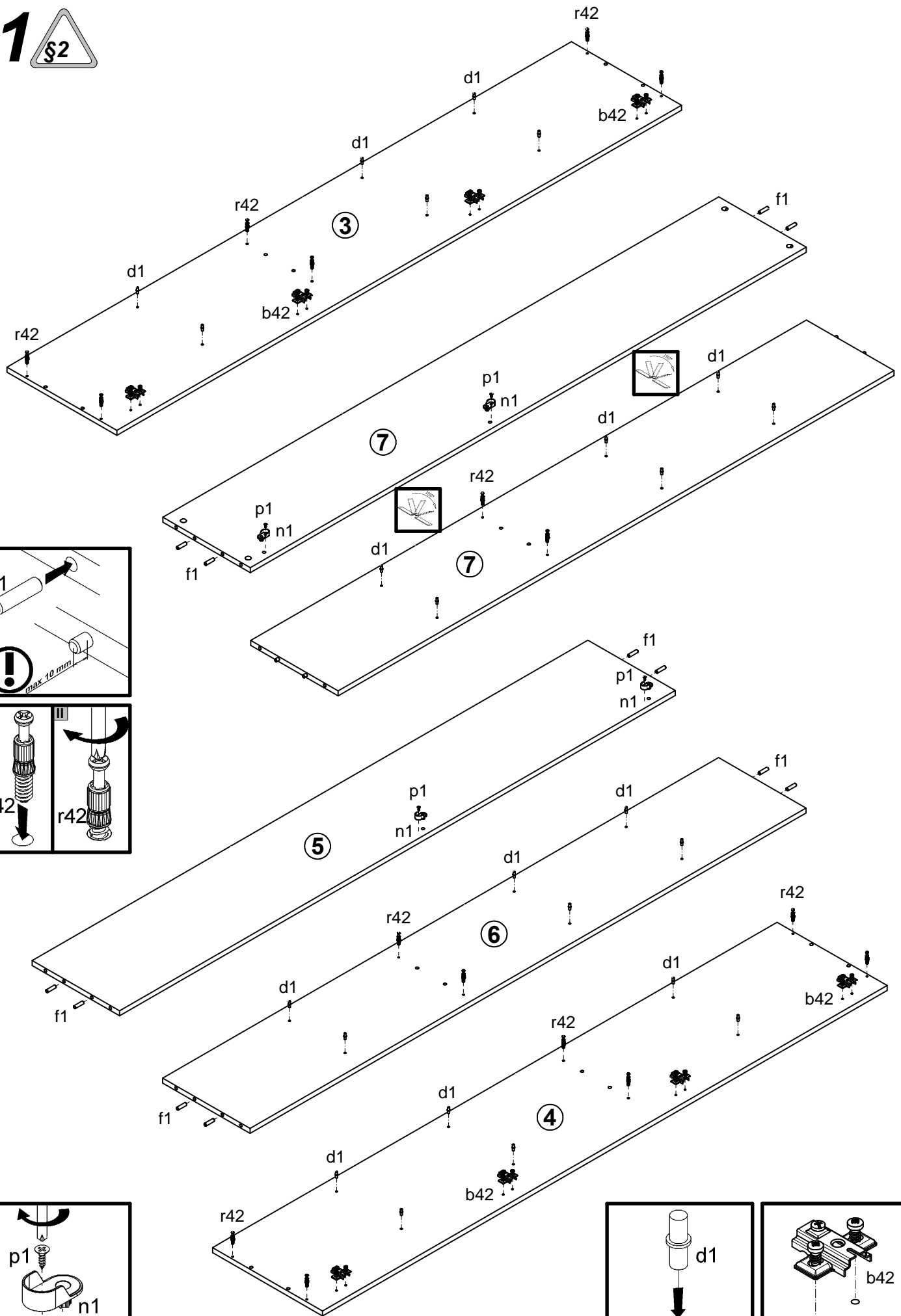


A	B	C		D	A	B	C		D
1	S309-001	1948	496	4/4	9	S309-305	945	945	2/4
2	S309-002	1948	296	4/4	10	S309-307	323	300	3/4
3	S309-105	1950	380	1/4	11	S309-308	322	300	3/4
4	S309-106	1950	380	1/4	12	S309-902	1945	955	4/4
5	S309-107	1920	302	1/4	13	S309-903	1945	343	4/4
6	S309-108	1920	302	1/4	14	dr-588	588	22	1/4
7	S309-111	1920	302	1/4					
8	S309-304	945	945	2/4					

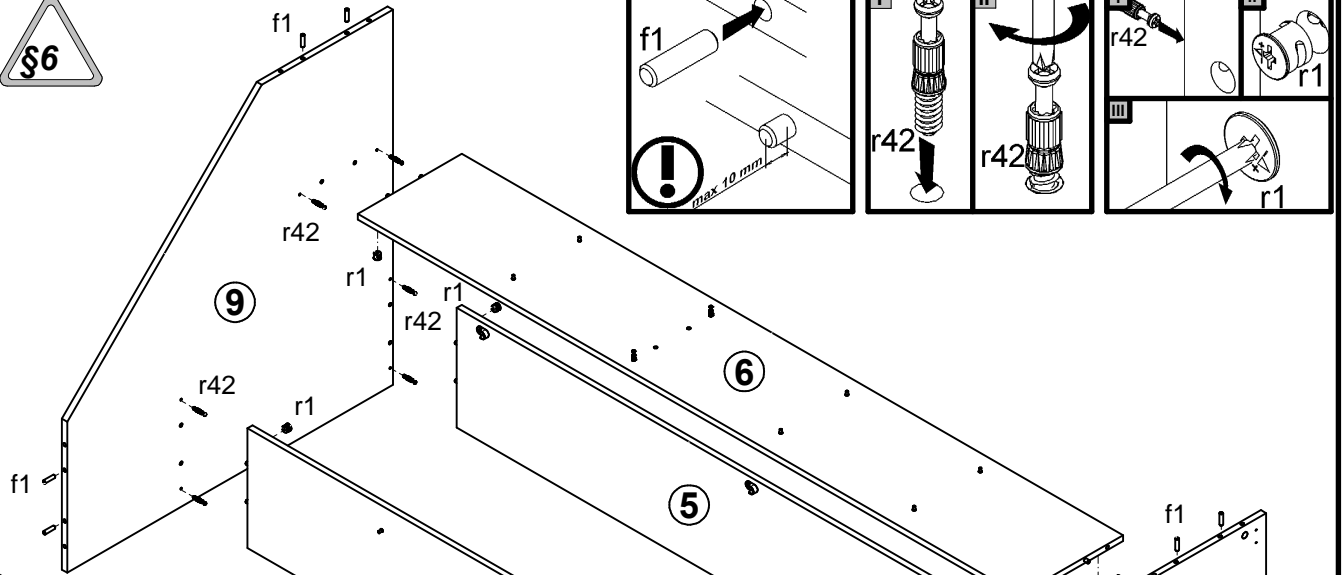


8x a94	8x b42	1x c3913 196mm	24x d1 Ø5x17 mm	28x f1 Ø8x30 mm	7x k77 84x40/25 mm	160x l1	4x n1	4x p1 Ø3.5x13 mm
14x p36 Ø4x25 mm	16x p38 Ø3.5x16 mm	16x p51 Ø3.5x15 mm	2x p87 Ø4x25 mm	28x r1 Ø15x12 mm #16	28x r42	20x s2 Ø16	1x n2611	1x p38 Ø3.5x16 mm

1 



2



3

