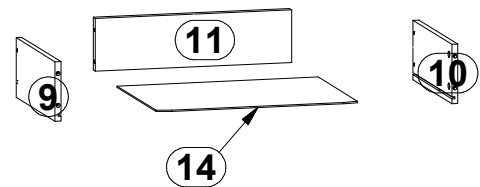
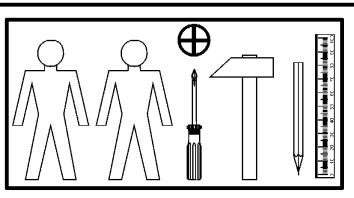
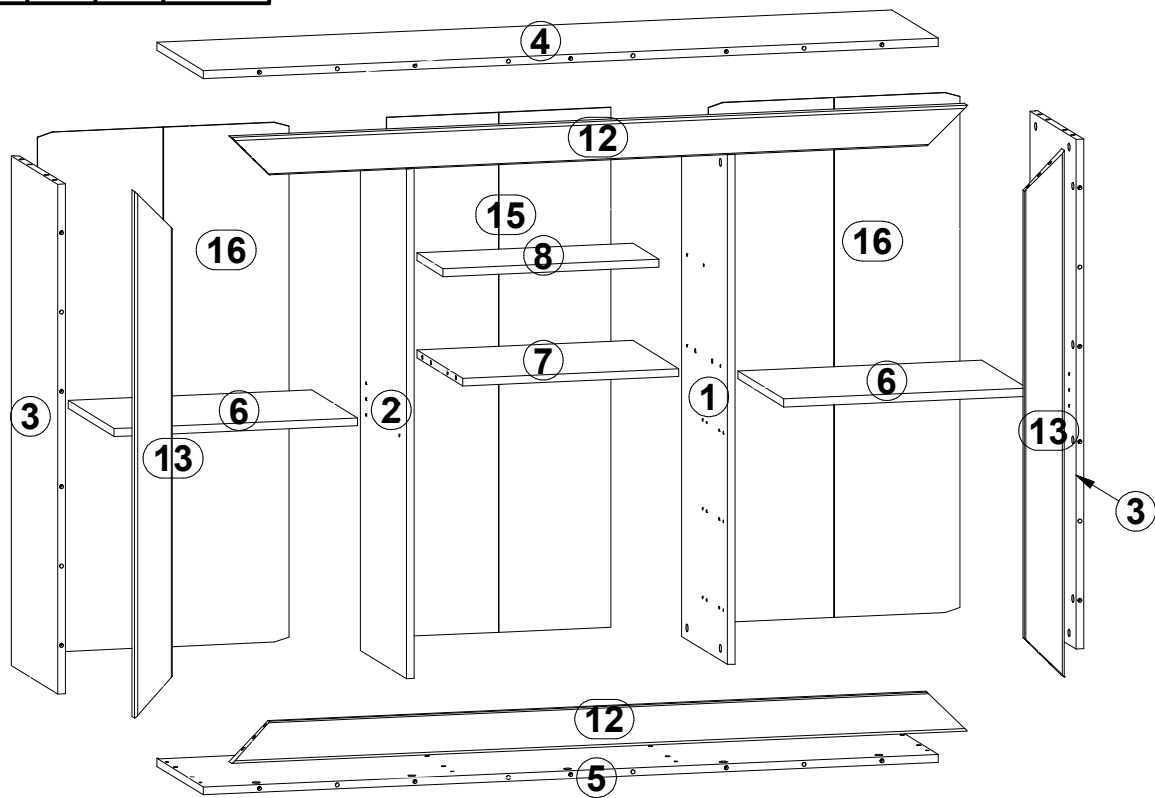
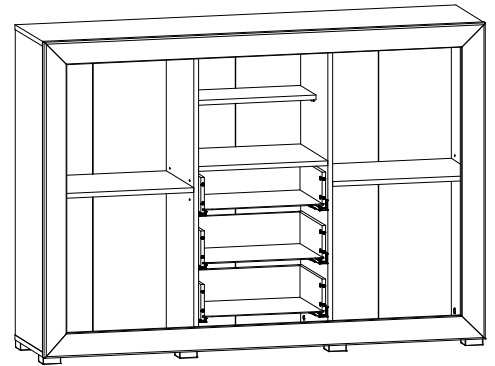


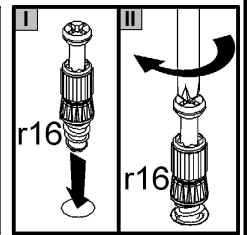
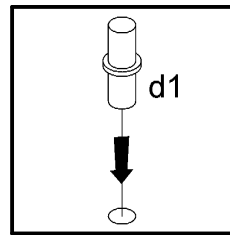
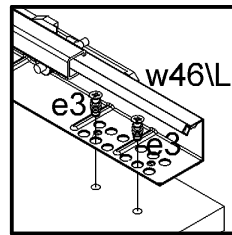
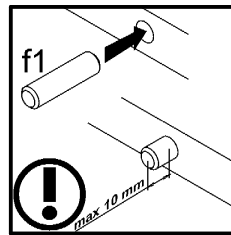
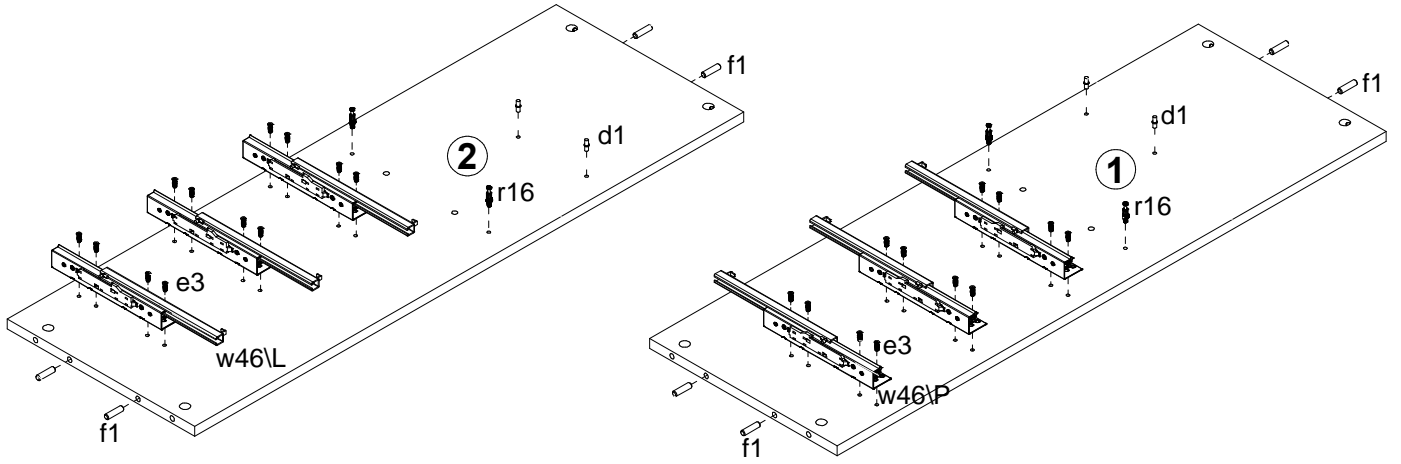
S66-KOM2D3S/11/15 10 007 21 10 010 21

A	B	C	D	
1	S66-128	1028	351	2/4
2	S66-129	1028	351	2/4
3	S66-130	1028	355	2/4
4	S66-211	1511	355	1/4
5	S66-212	1511	355	1/4
6	S66-314	501	351	2/4
7	S66-316	444	351	2/4
8	S66-317	444	200	2/4
9	S66-501	300	120	2/4
10	S66-502	300	120	2/4
11	S66-506	404	106	2/4
12	S66-558	1512	80	3/4
13	S66-560	1062	80	3/4
14	S66-908	414	308	2/4
15	S66-9909	1048	461	1/4
16	S66-9910	1048	517	1/4

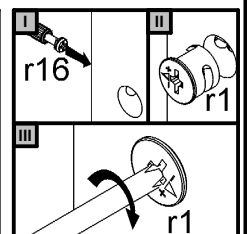
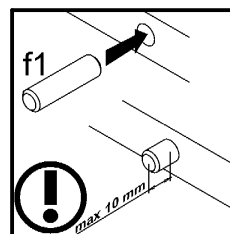
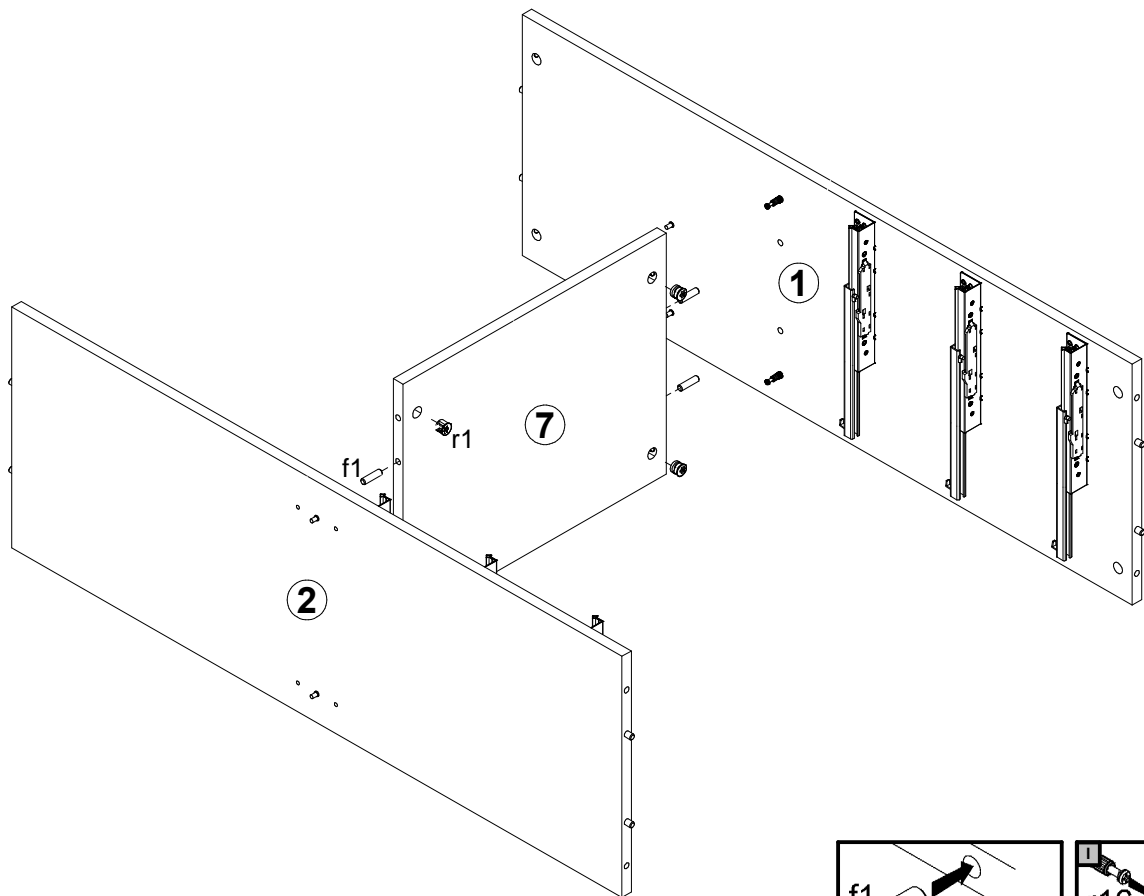


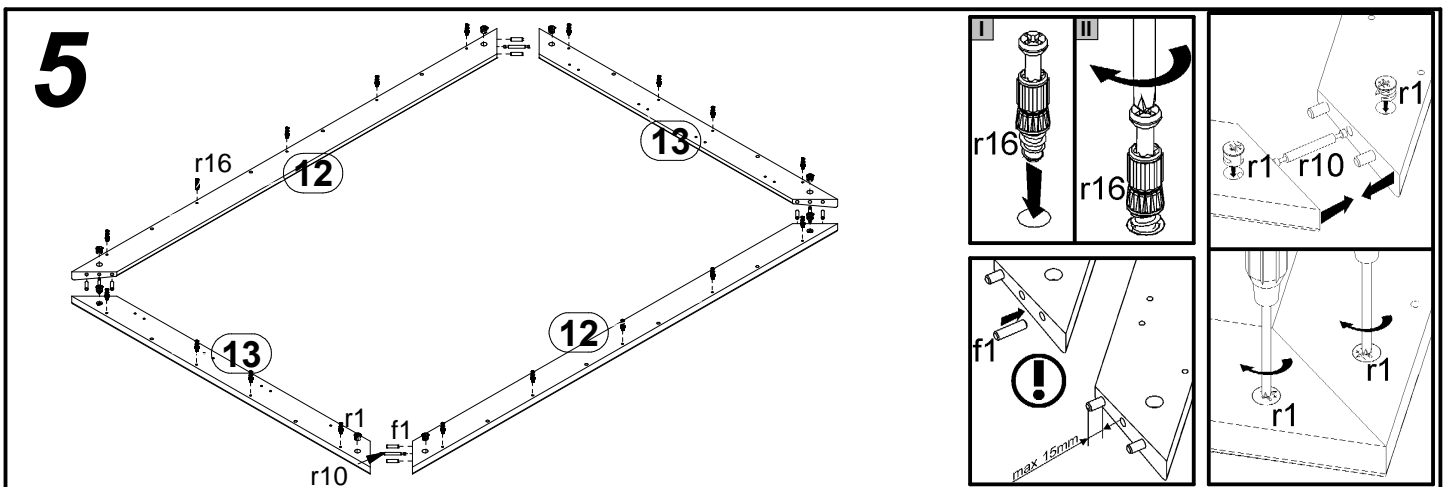
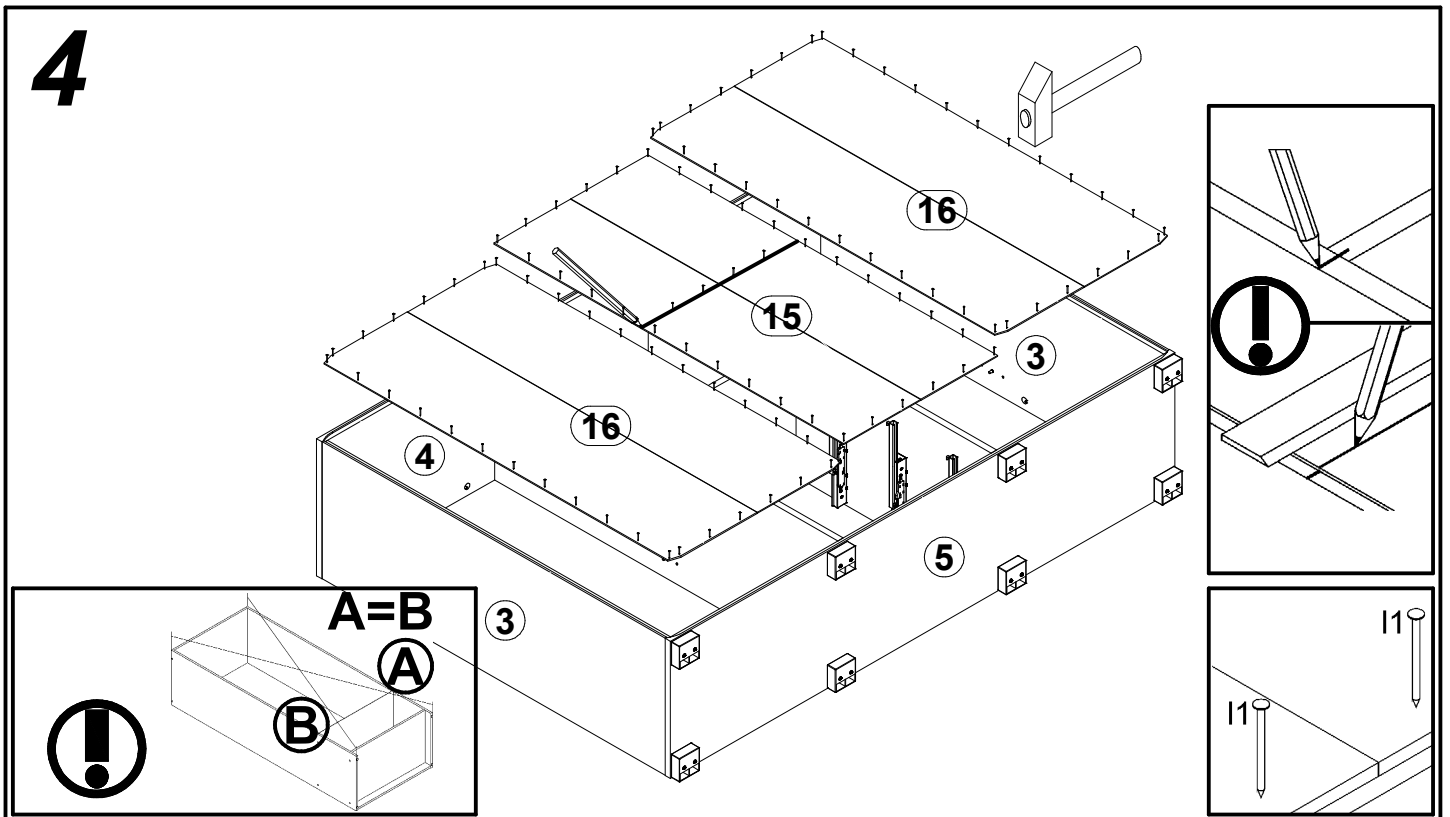
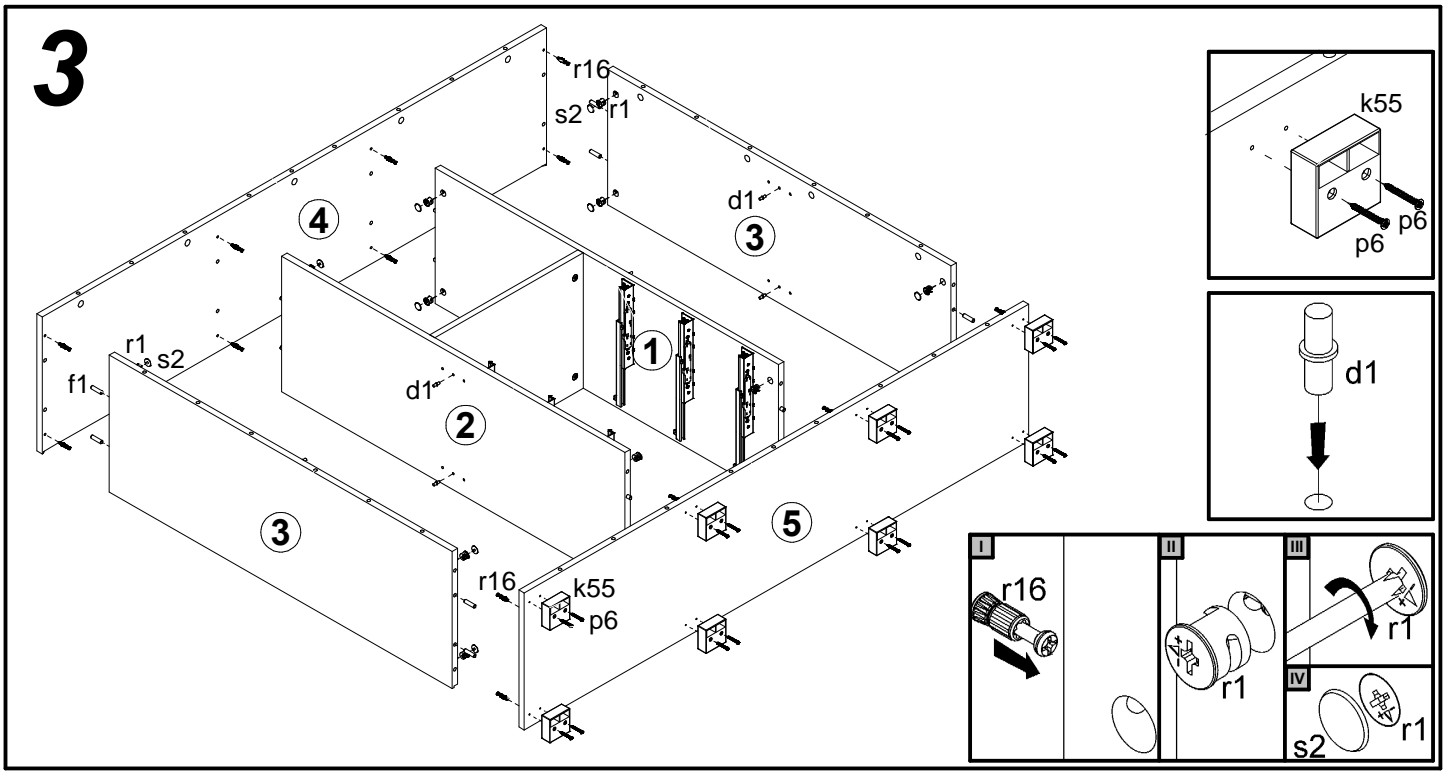
12x φ5x17 mm d1	24x φ6x13 mm e3	40x φ8x30 mm f1	12x φ6.5x40 mm f25	8x k55	120x l1	16x φ4x35 mm p6	46x φ1.5x12mm #16 r1	4x r10
12x φ12x10.5mm #12 r15	50x r16	12x ø16 s2	3x 300 mm w46\L	3x 300 mm w46\P	1x n26\1	1x φ3.5x16 mm p38		

1 §2

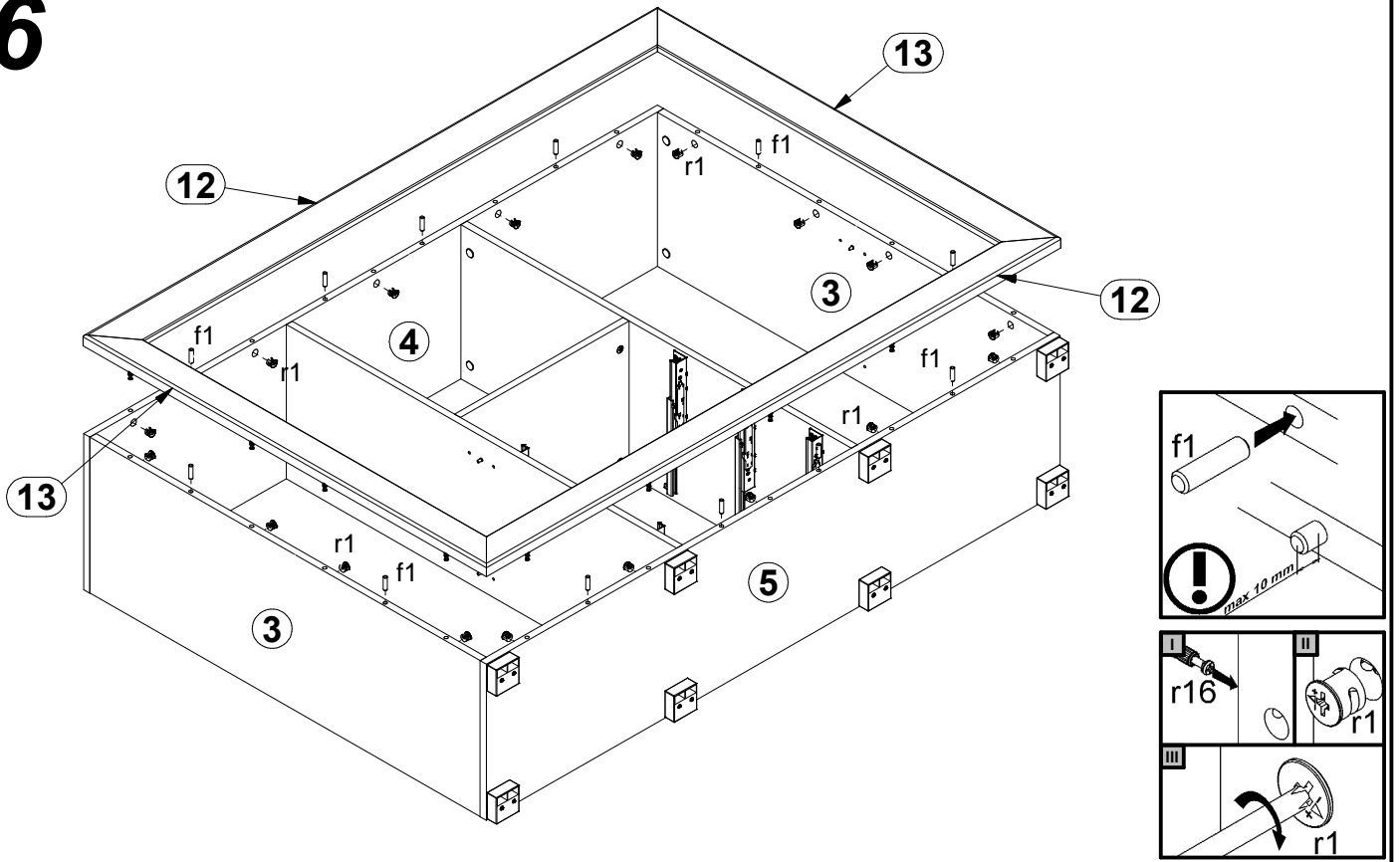


2 §6

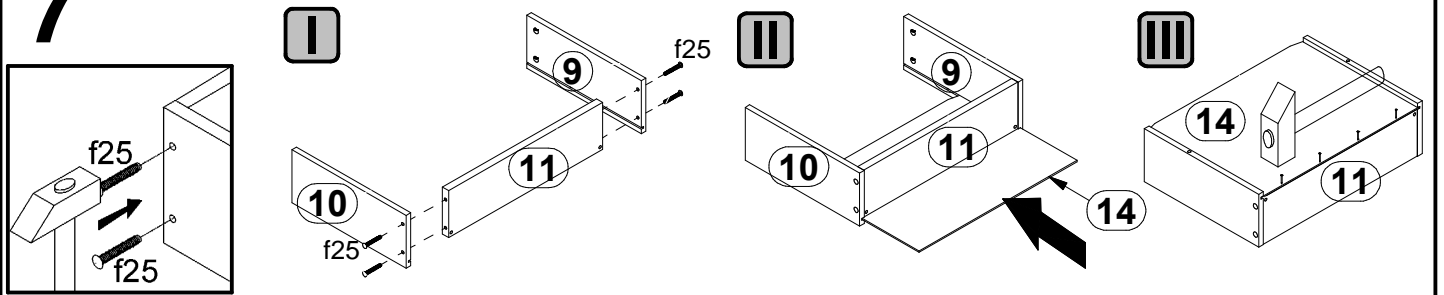




6



7



8

