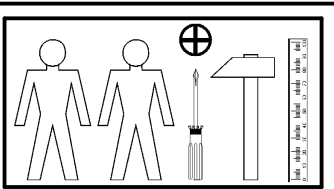
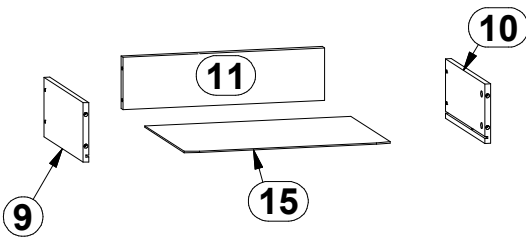
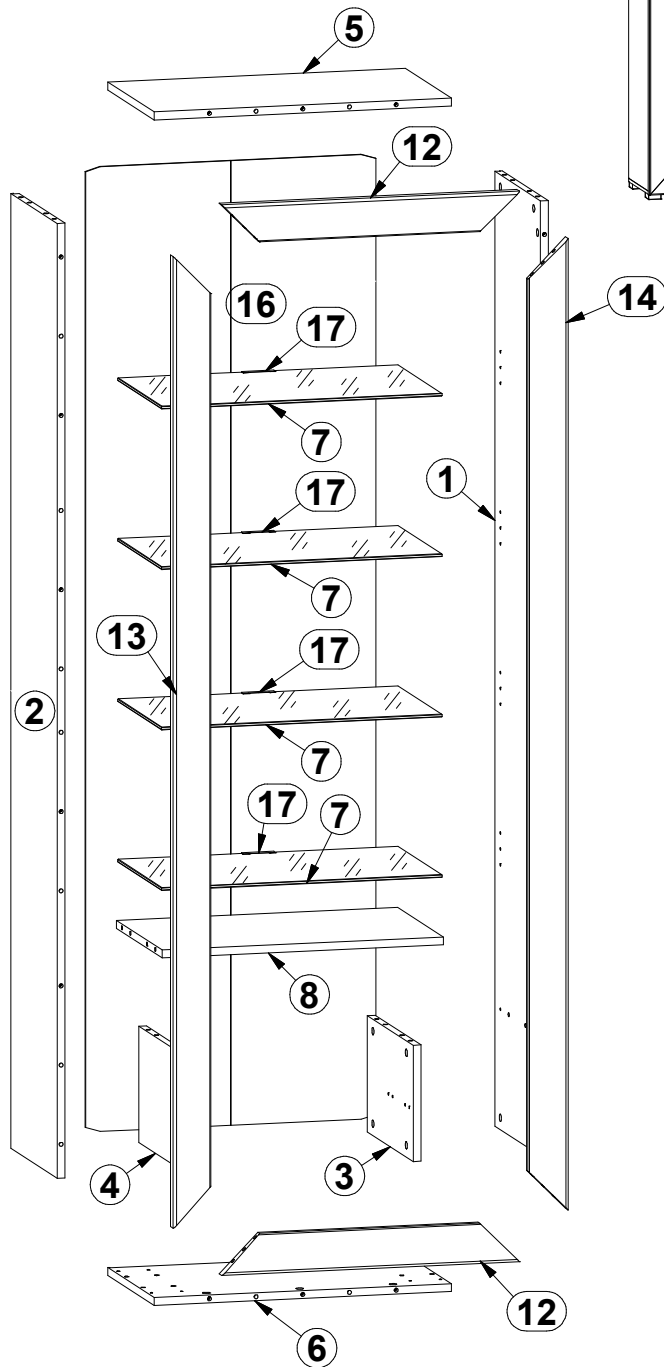
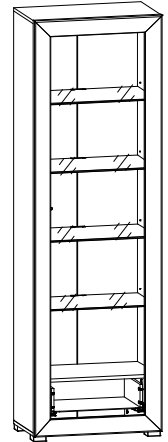
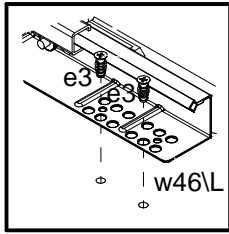
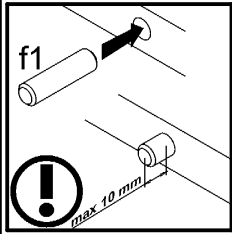
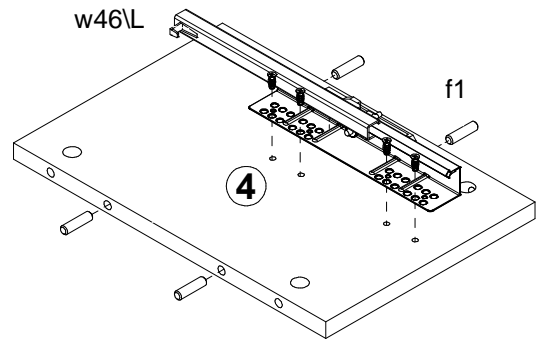
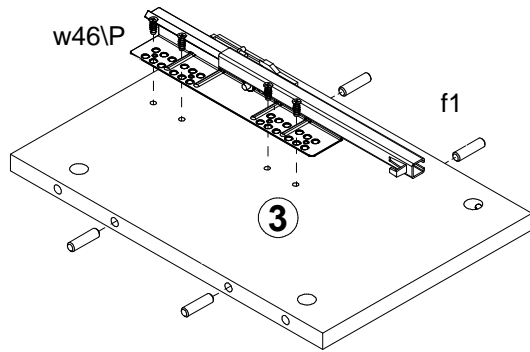


A	B	C	D	
1	S66-101	1928	355	1/4
2	S66-102	1928	355	1/4
3	S66-103	235	351	2/4
4	S66-104	235	351	2/4
5	S66-201	611	355	2/4
6	S66-202	611	355	2/4
7	S66-301	577	337	4/4
8	S66-302	578	351	2/4
9	S66-501	300	120	2/4
10	S66-502	300	120	2/4
11	S66-503	414	106	2/4
12	S66-550	612	80	3/4
13	S66-551	1962	80	3/4
14	S66-553	1962	80	3/4
15	S66-901	424	308	2/4
16	S66-9901	1948	597	1/4
17	qa70	270	115	2/4

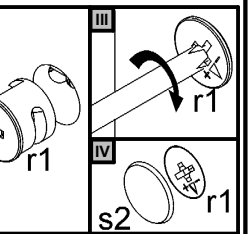
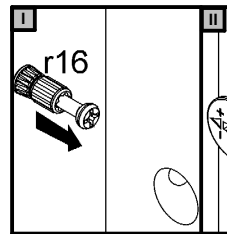
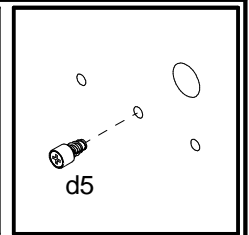
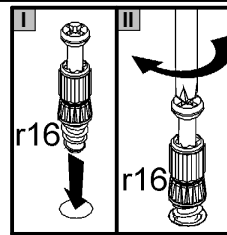
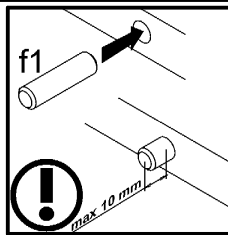
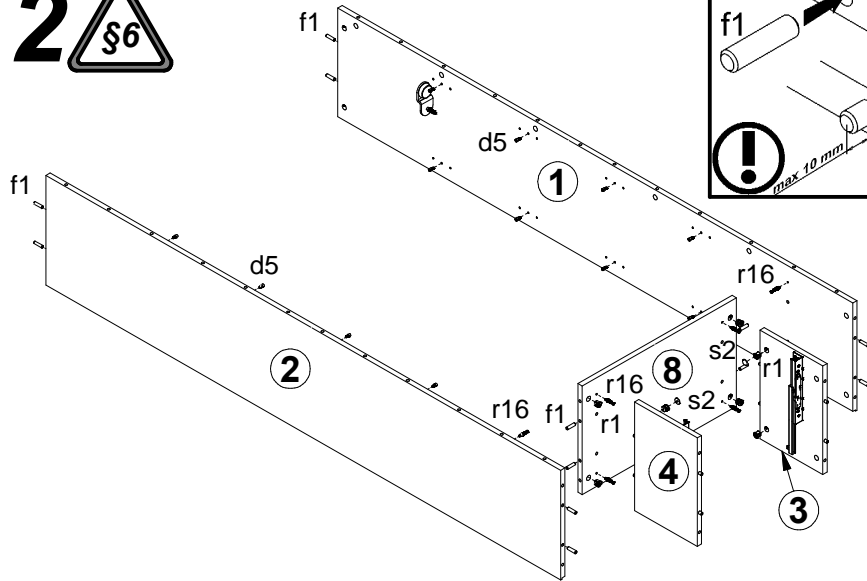


16x $\phi 6,3 \times 15$ mm <b>d5</b>	8x $\phi 6 \times 13$ mm <b>e3</b>	46x $\phi 8 \times 30$ mm <b>f1</b>	4x $\phi 6,5 \times 40$ mm <b>f25</b>	4x <b>k55</b>	68x <b>l1</b>	1x <b>n114</b>	1x $\phi 3 \times 12$ mm <b>p54</b>	8x $\phi 4 \times 35$ mm <b>p6</b>
44x $\phi 15 \times 12$ mm #16 <b>r1</b>	4x <b>r10</b>	4x $\phi 12 \times 10,5$ mm #12 <b>r15</b>	40x <b>r16</b>	16x $\phi 16$ <b>s2</b>	1x <b>s50</b>	1x  300 mm <b>w46/L</b>	1x  300 mm <b>w46/P</b>	1x <b>z1</b>
1x <b>n26/l</b>	1x $\phi 3,5 \times 16$ mm <b>p38</b>							

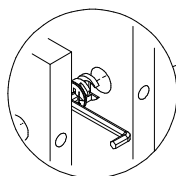
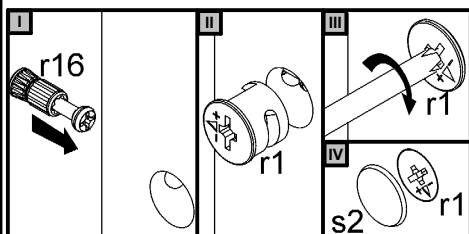
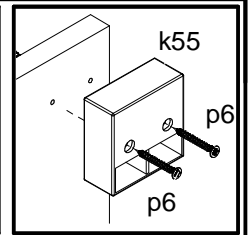
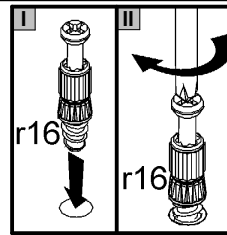
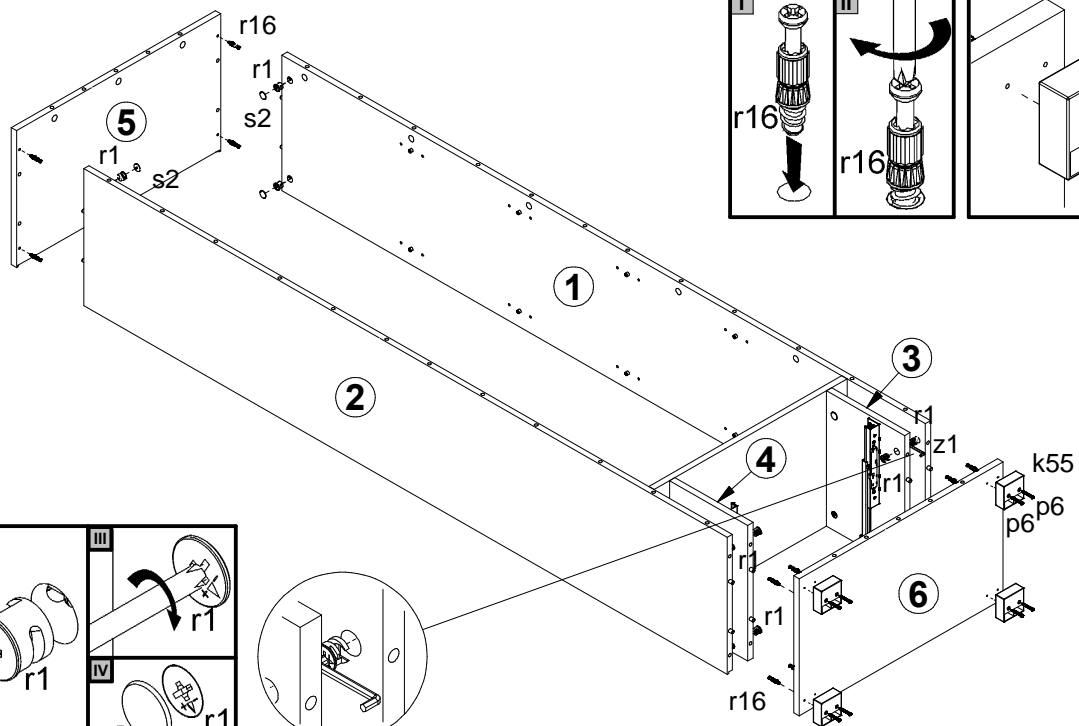
# 1



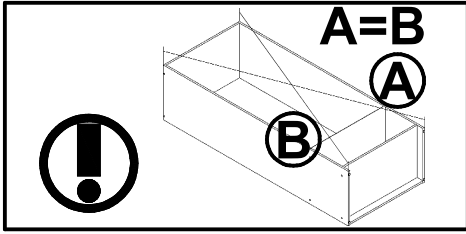
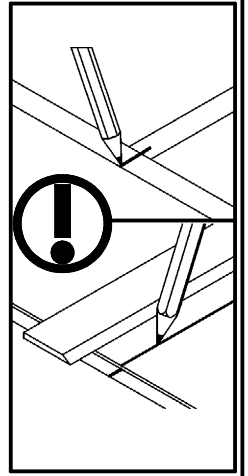
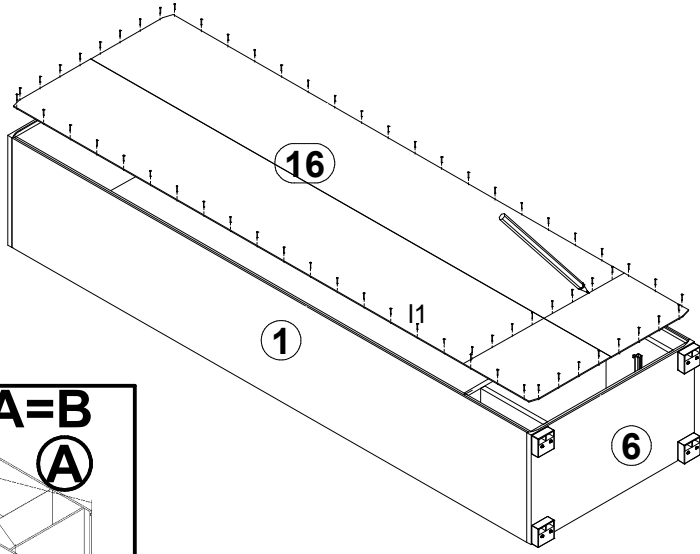
# 2



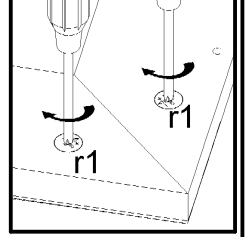
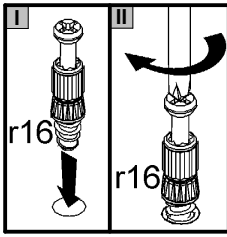
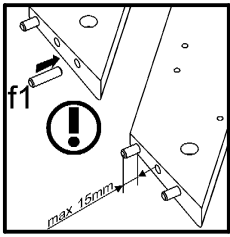
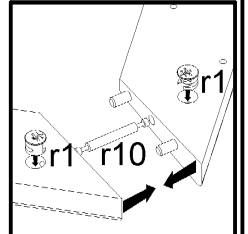
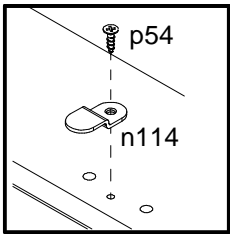
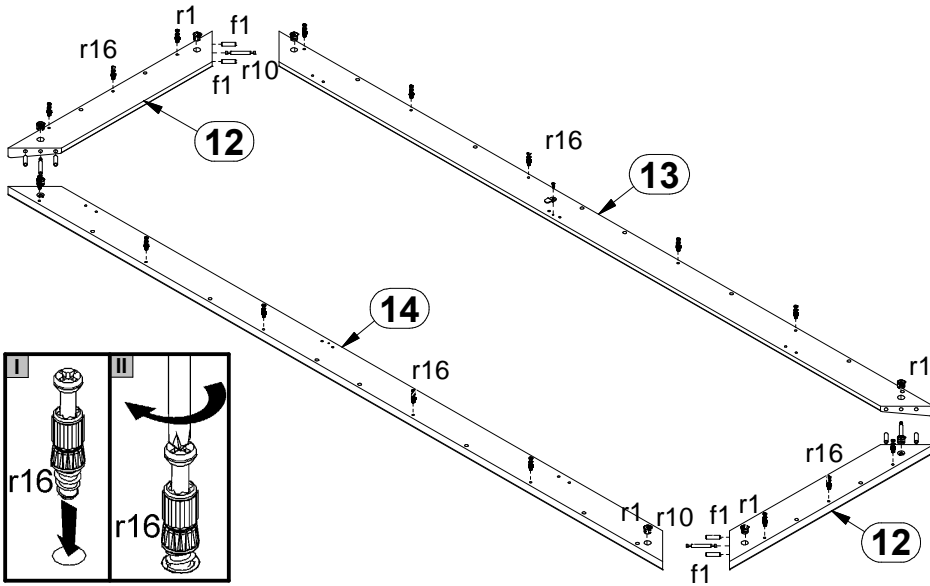
# 3



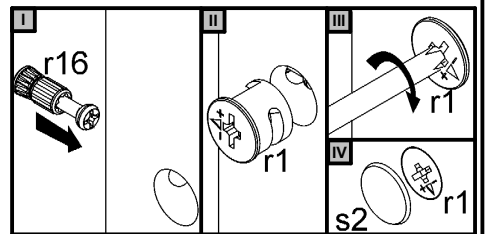
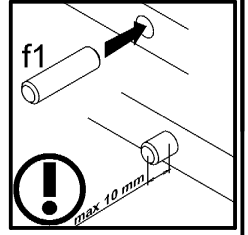
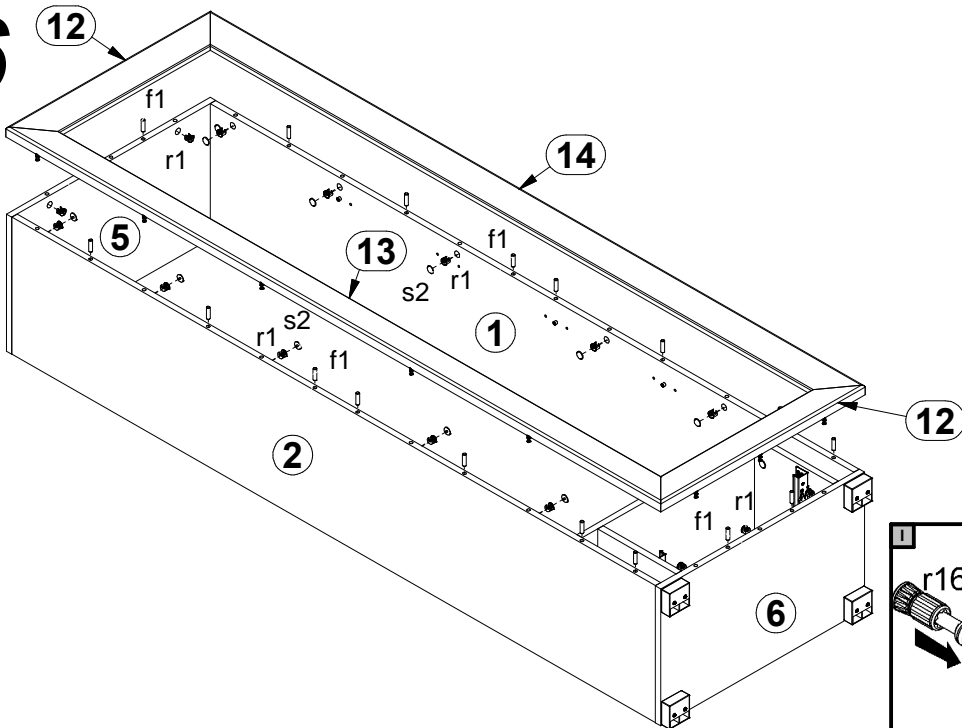
# 4



# 5

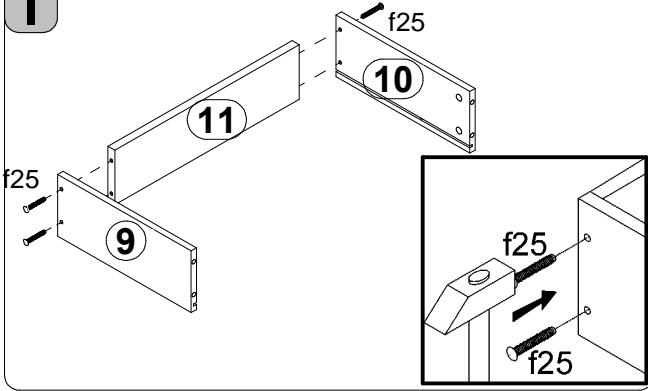


# 6

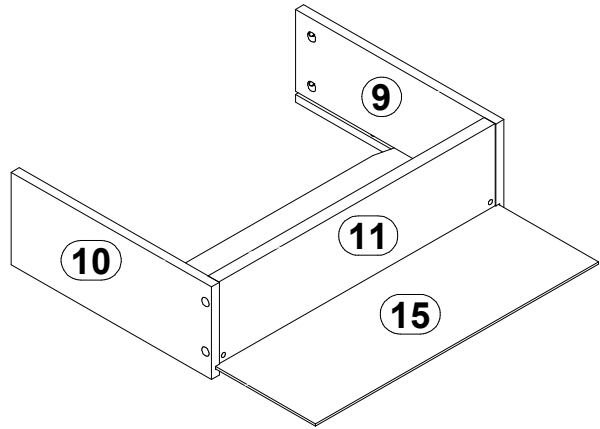


# 7

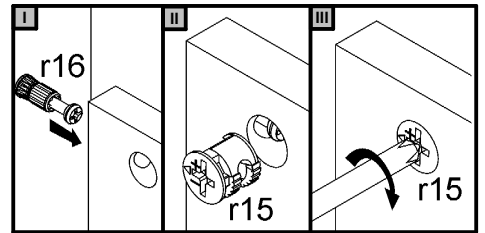
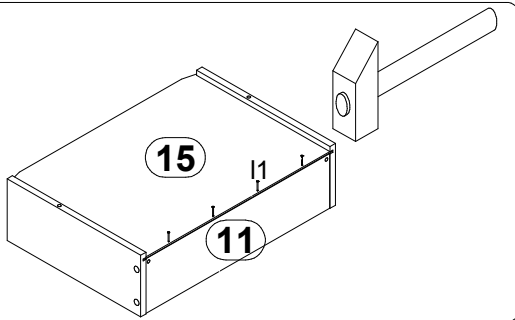
I



II



III



# 8

