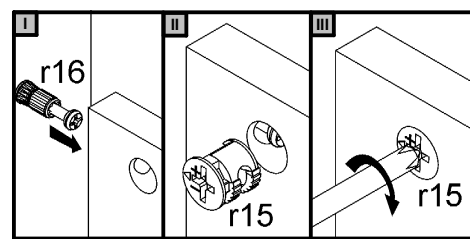
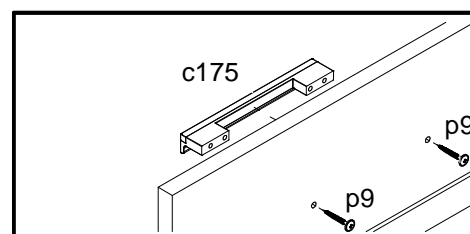
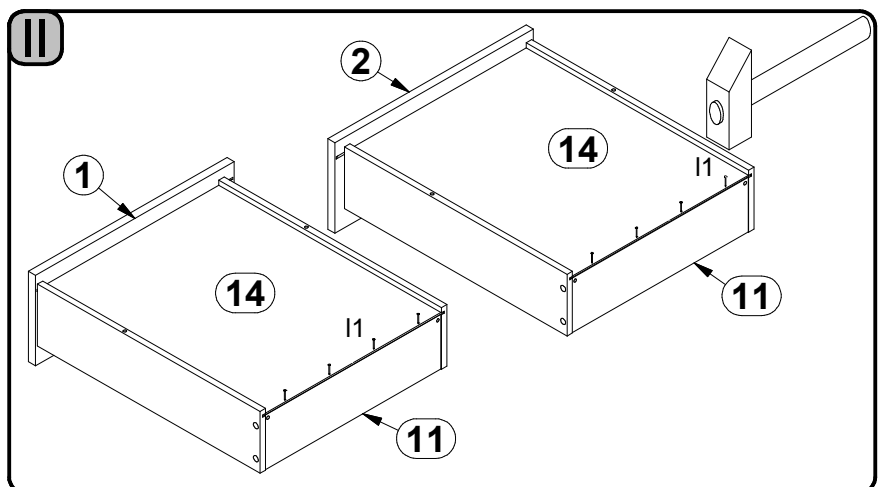
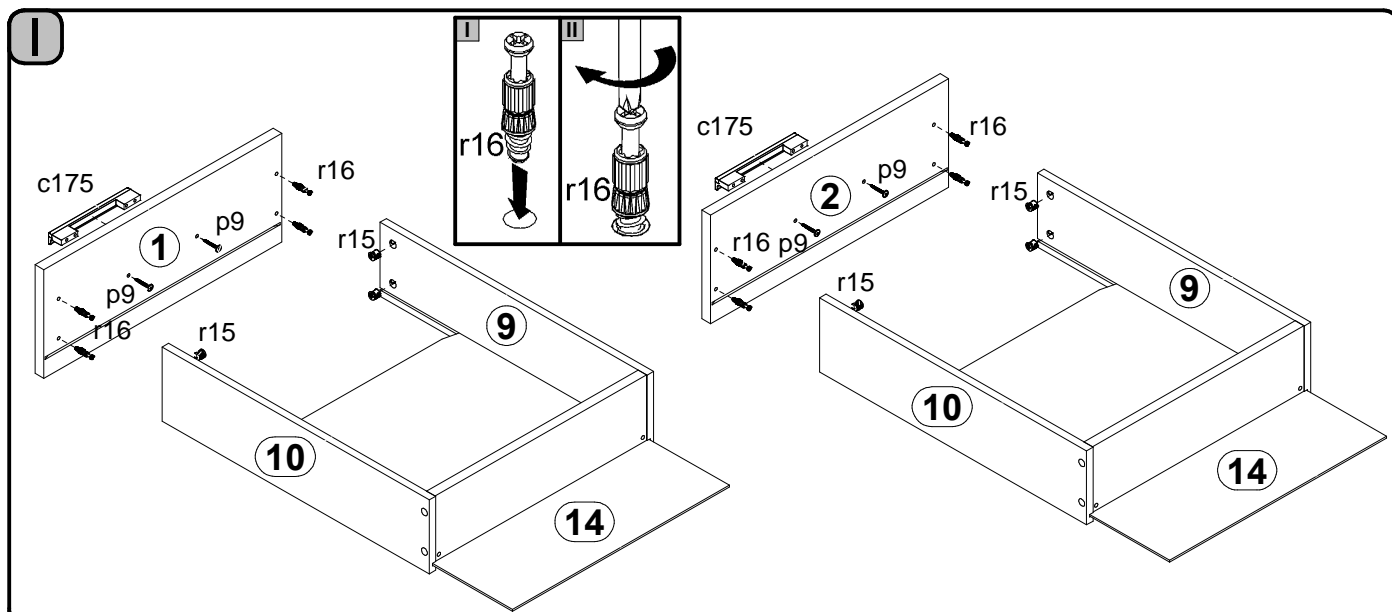
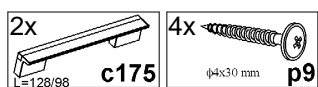
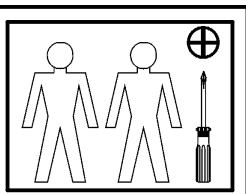
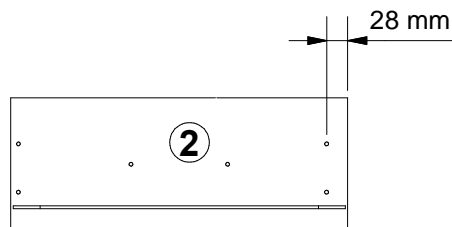
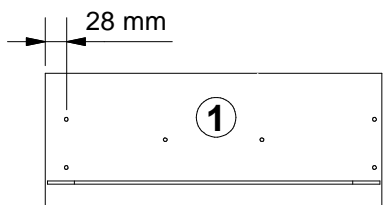
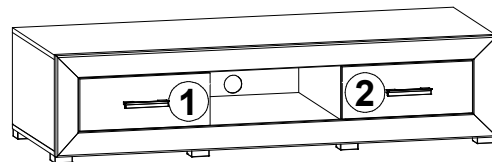


S66-RTV2S/4/15-FRN 10 007 30

| A | B | C | D |
|---|---------|-----|-----|
| 1 | S66-008 | 446 | 176 |
| 2 | S66-009 | 446 | 176 |



2

