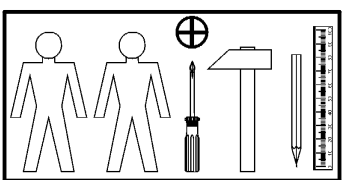
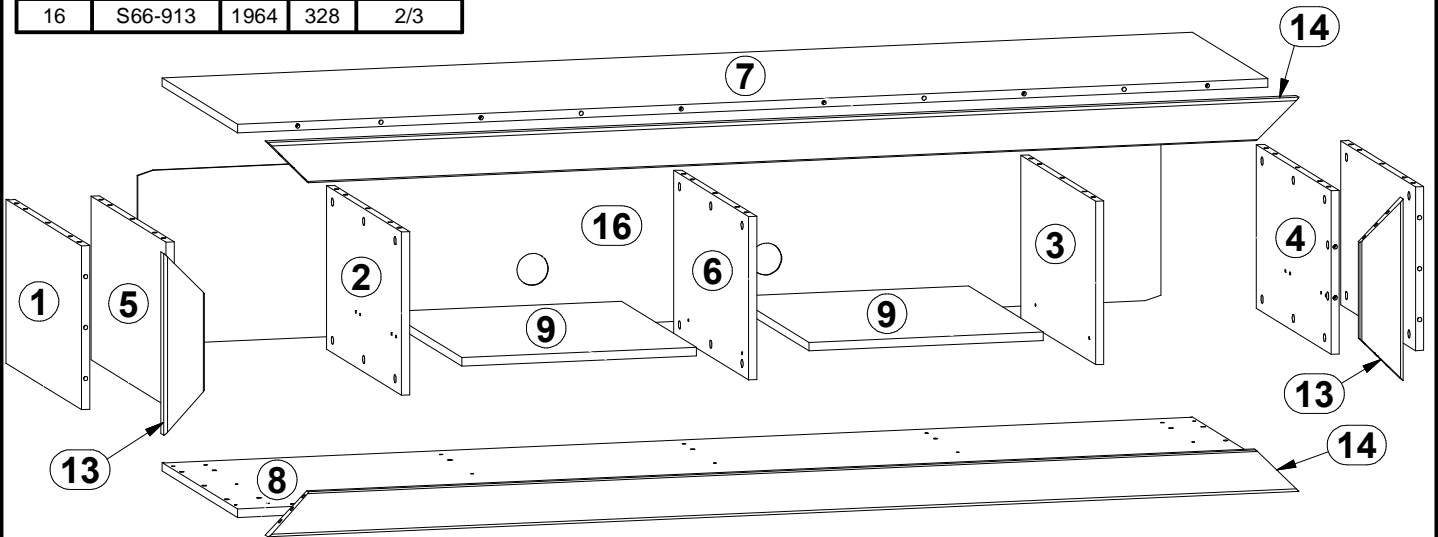
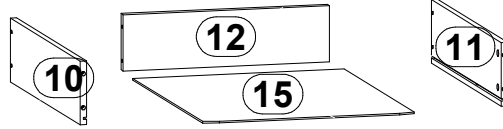
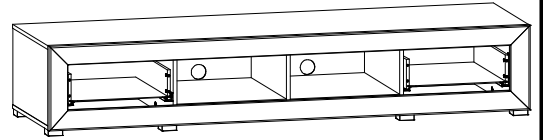
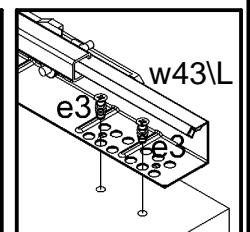
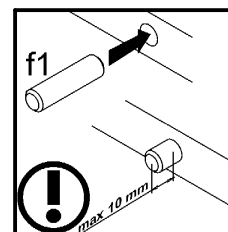
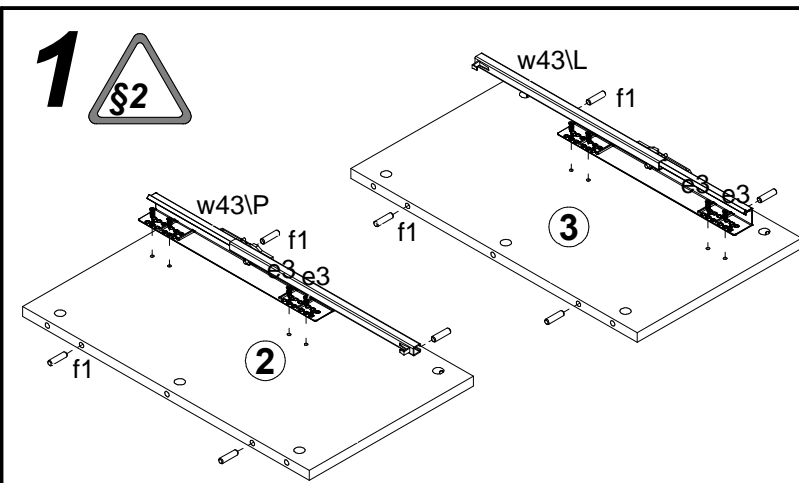


S66-RTV2S/4/20 10 010 30

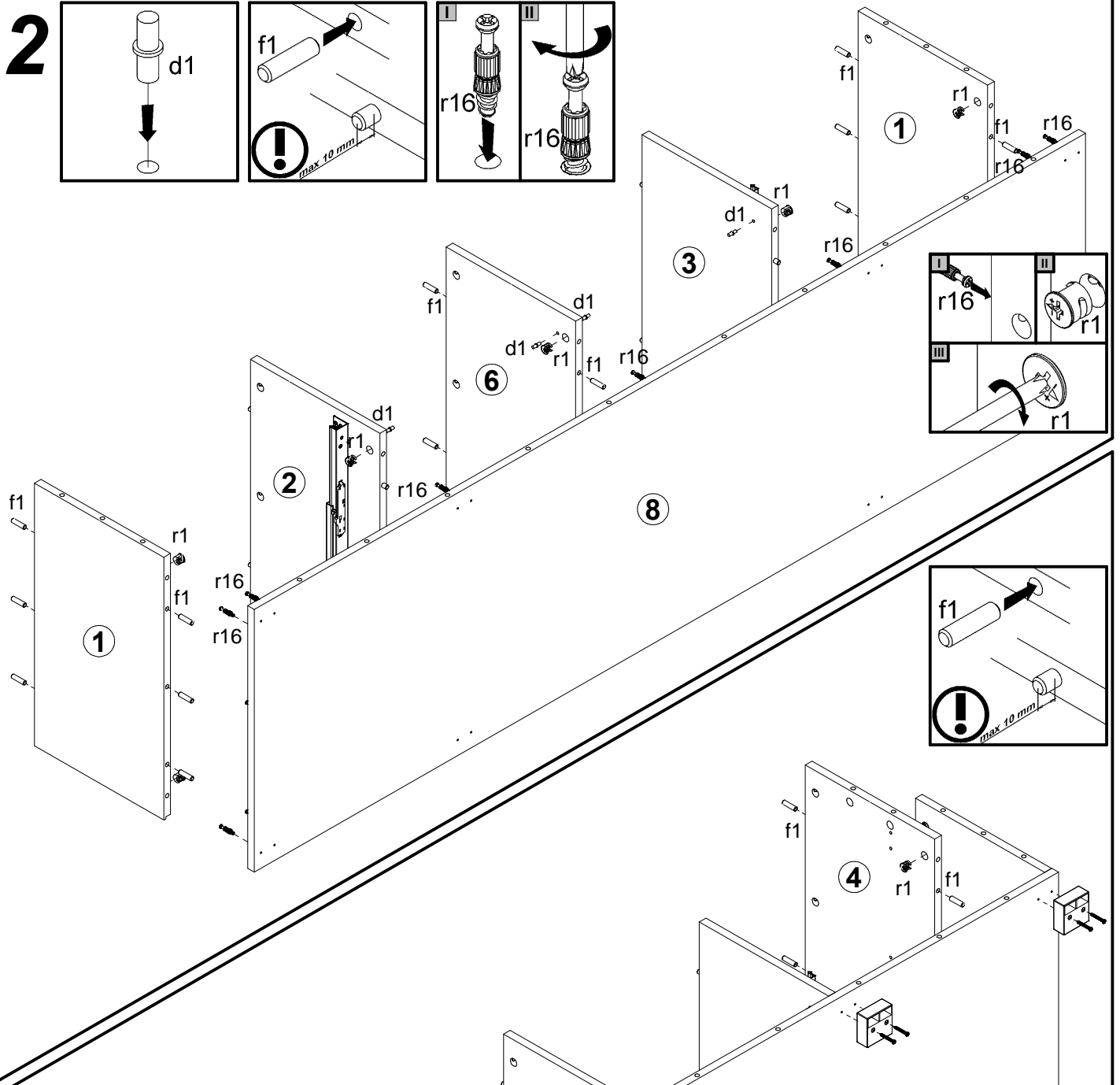
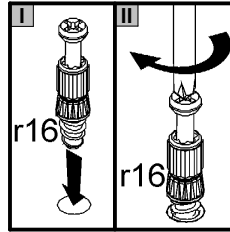
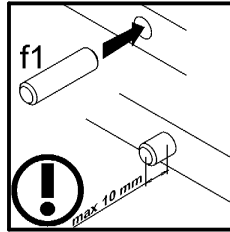
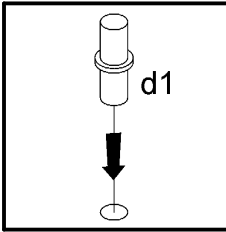
| A | B | C | D | |
|----|---------|------|-----|-----|
| 1 | S66-115 | 308 | 540 | 1/3 |
| 2 | S66-116 | 308 | 536 | 1/3 |
| 3 | S66-117 | 308 | 536 | 1/3 |
| 4 | S66-118 | 308 | 536 | 1/3 |
| 5 | S66-119 | 308 | 536 | 1/3 |
| 6 | S66-125 | 308 | 536 | 1/3 |
| 7 | S66-213 | 1977 | 540 | 2/3 |
| 8 | S66-214 | 1977 | 540 | 2/3 |
| 9 | S66-308 | 450 | 536 | 1/3 |
| 10 | S66-504 | 500 | 120 | 2/3 |
| 11 | S66-505 | 500 | 120 | 2/3 |
| 12 | S66-507 | 396 | 106 | 2/3 |
| 13 | S66-559 | 342 | 80 | 3/3 |
| 14 | S66-563 | 1978 | 80 | 3/3 |
| 15 | S66-909 | 508 | 406 | 2/3 |
| 16 | S66-913 | 1964 | 328 | 2/3 |



| | | | | | | | | |
|--|--|--|--|-----------------------|-----------|--|---|-----------|
| 8x $\phi 5 \times 17 \text{ mm}$ d1 | 16x $\phi 6 \times 13 \text{ mm}$ e3 | 54x $\phi 8 \times 30 \text{ mm}$ f1 | 8x $\phi 6.5 \times 40 \text{ mm}$ f25 | 8x k55 | 65x l1 | 16x $\phi 4 \times 35 \text{ mm}$ p6 | 62x $\phi 1.5 \times 12 \text{ mm} \#16$ r1 | 4x r10 |
| 8x $\phi 12 \times 10.5 \text{ mm} \#12$ r15 | 62x r16 | 3x $\phi 16$ s2 | 2x 500 mm w43\L | 2x 500 mm w43\P | 1x z1 | | | |



2



3

