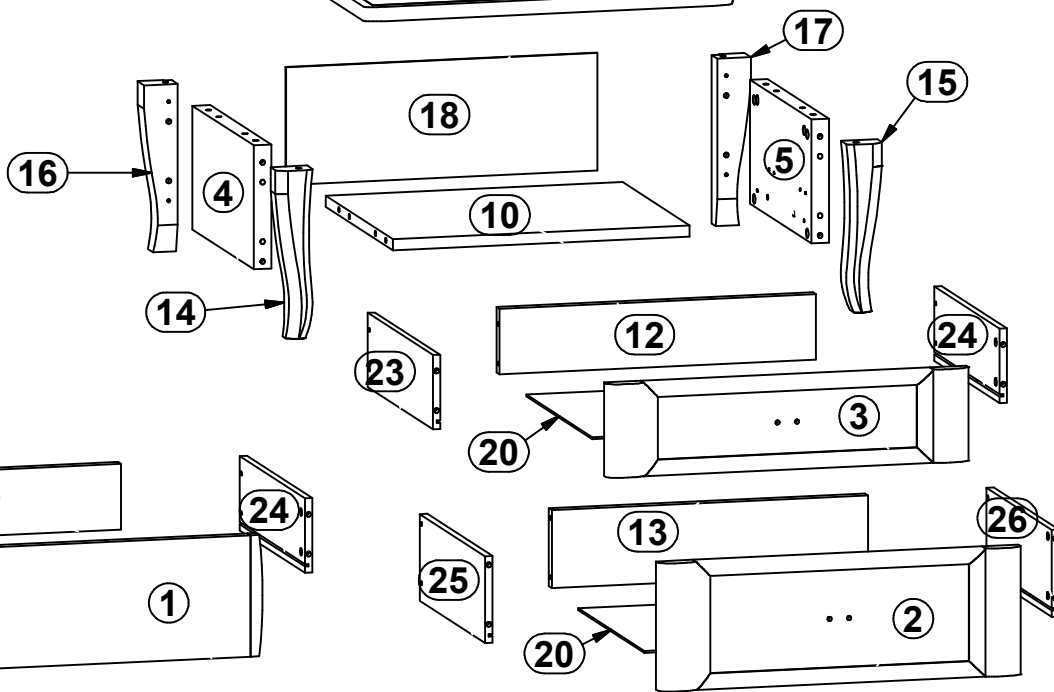
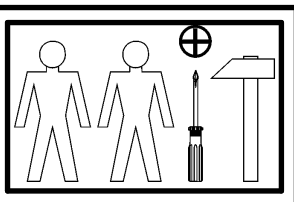
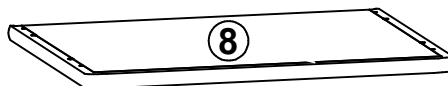
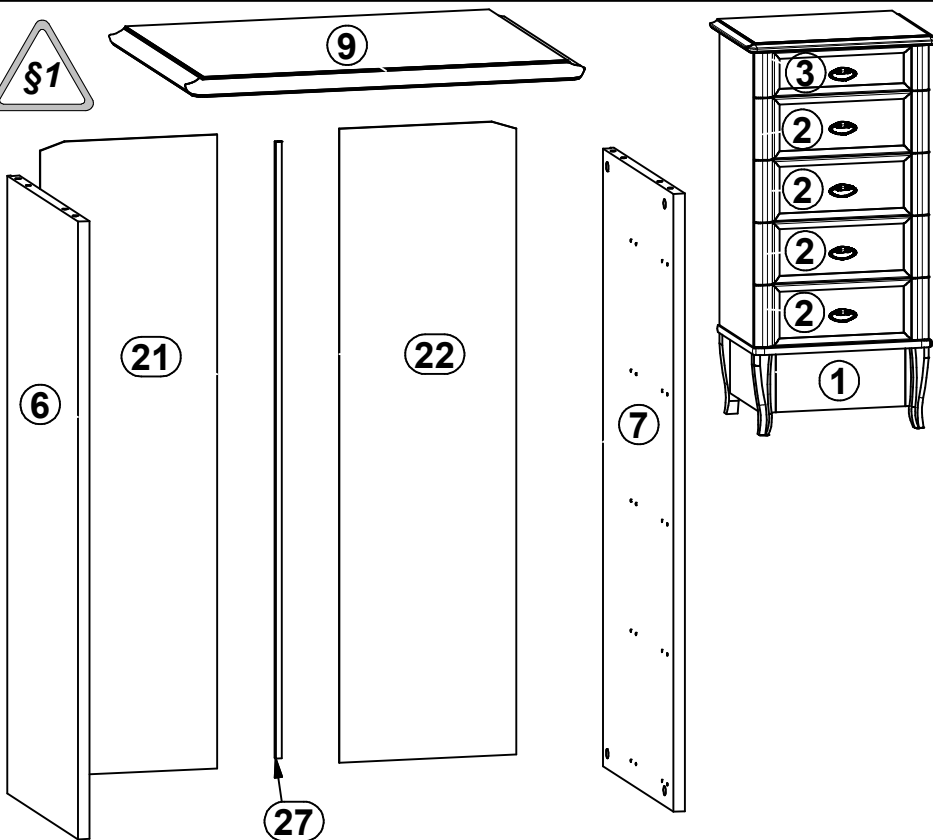


A	B	C	D	
1	S71-023	484	196	5/5
2	S71-030	596	207	5/5
3	S71-031	596	151	5/5
4	S71-101	200	376	1/5
5	S71-102	200	376	1/5
6	S71-136	998	435	1/5
7	S71-137	998	435	1/5
8	S71-223	612	468	2/5
9	S71-224	652	507	2/5
10	S71-327	488	412	1/5
11	S71-517	448	106	1/5
12	S71-521	520	106	1/5
13	S71-522	520	126	1/5
14	S71-571	272	60	3/5
15	S71-572	272	60	3/5
16	S71-573	272	55	3/5
17	S71-574	272	55	3/5
18	S71-934	190	512	1/5
19	S71-942	459	406	1/5
20	S71-943	531	406	1/5
21	S71-944	1024	291	1/5
22	S71-945	1024	291	1/5
23	ZS1-3501	400	120	1/5
24	ZS1-3502	400	120	1/5
25	ZS1-3503	400	140	1/5
26	ZS1-3504	400	140	1/5
27	lh-996	996	12	1/5



5x 32 mm c228	48x $\phi 6 \times 13$ mm e3	28x $\phi 8 \times 30$ mm f1	24x $\phi 6.5 \times 40$ mm f25	10x M4x9 mm j2	50x l1	30x $\phi 3.5 \times 16$ mm p38	24x $\phi 1.5 \times 12$ mm #16 r1	24x $\phi 1.2 \times 10.5$ mm #12 r15
48x r16	2x $\phi 16$ s2	6x Quadro L-400 mm w58/L	6x Quadro L-400 mm w58/P	1x n26/1	1x $\phi 3.5 \times 16$ mm p38			

