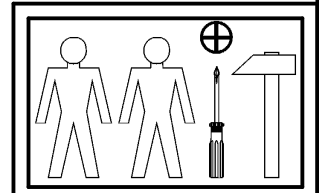
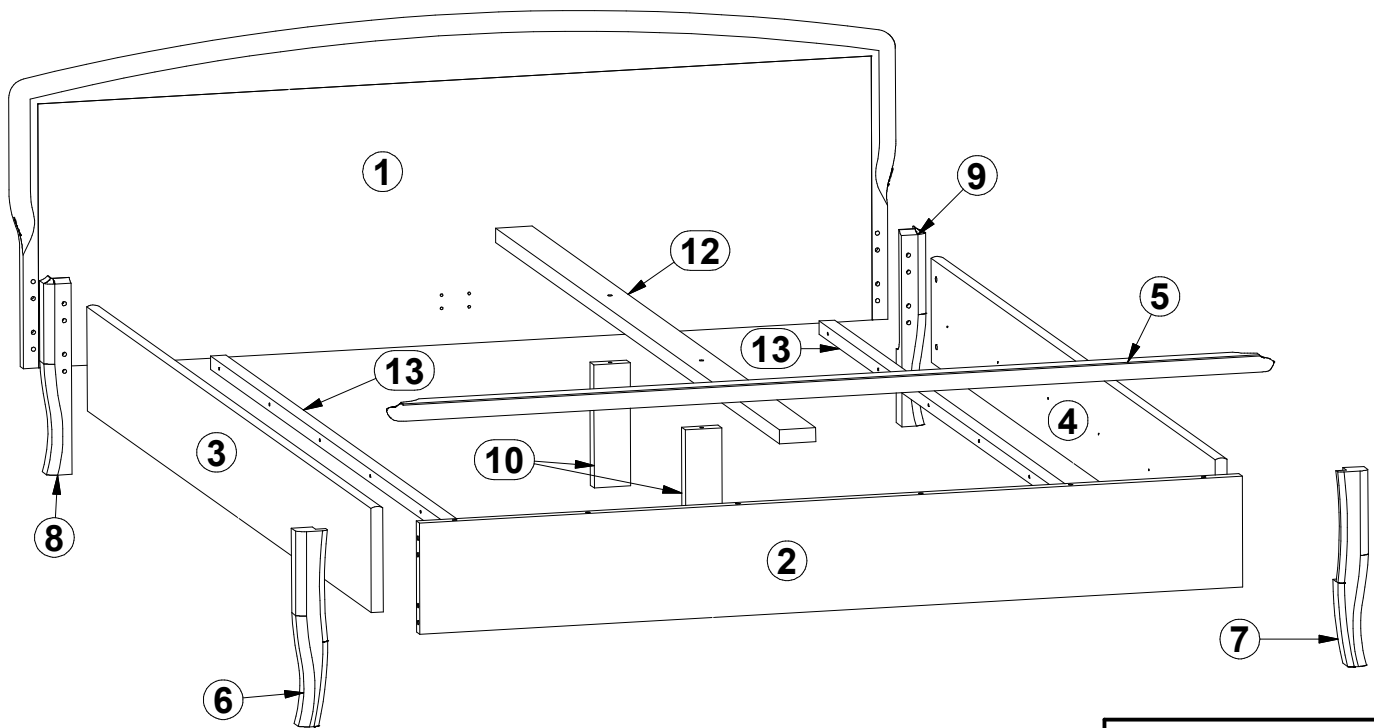
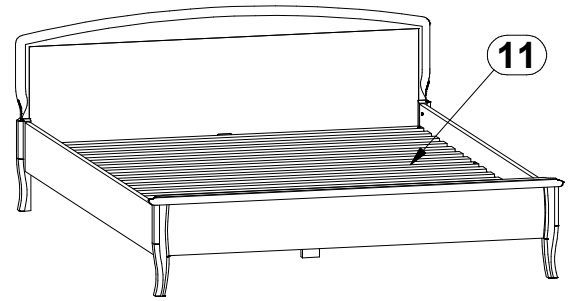
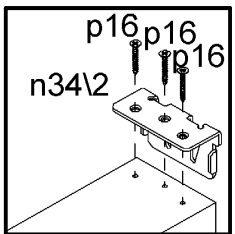
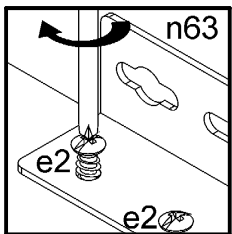
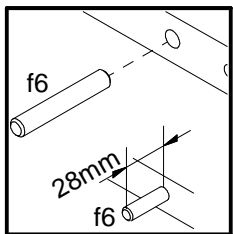
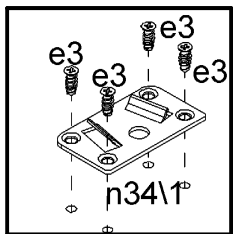
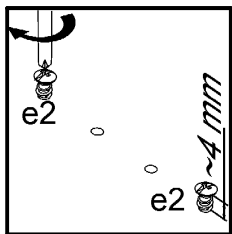
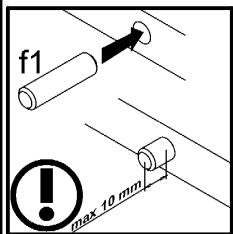
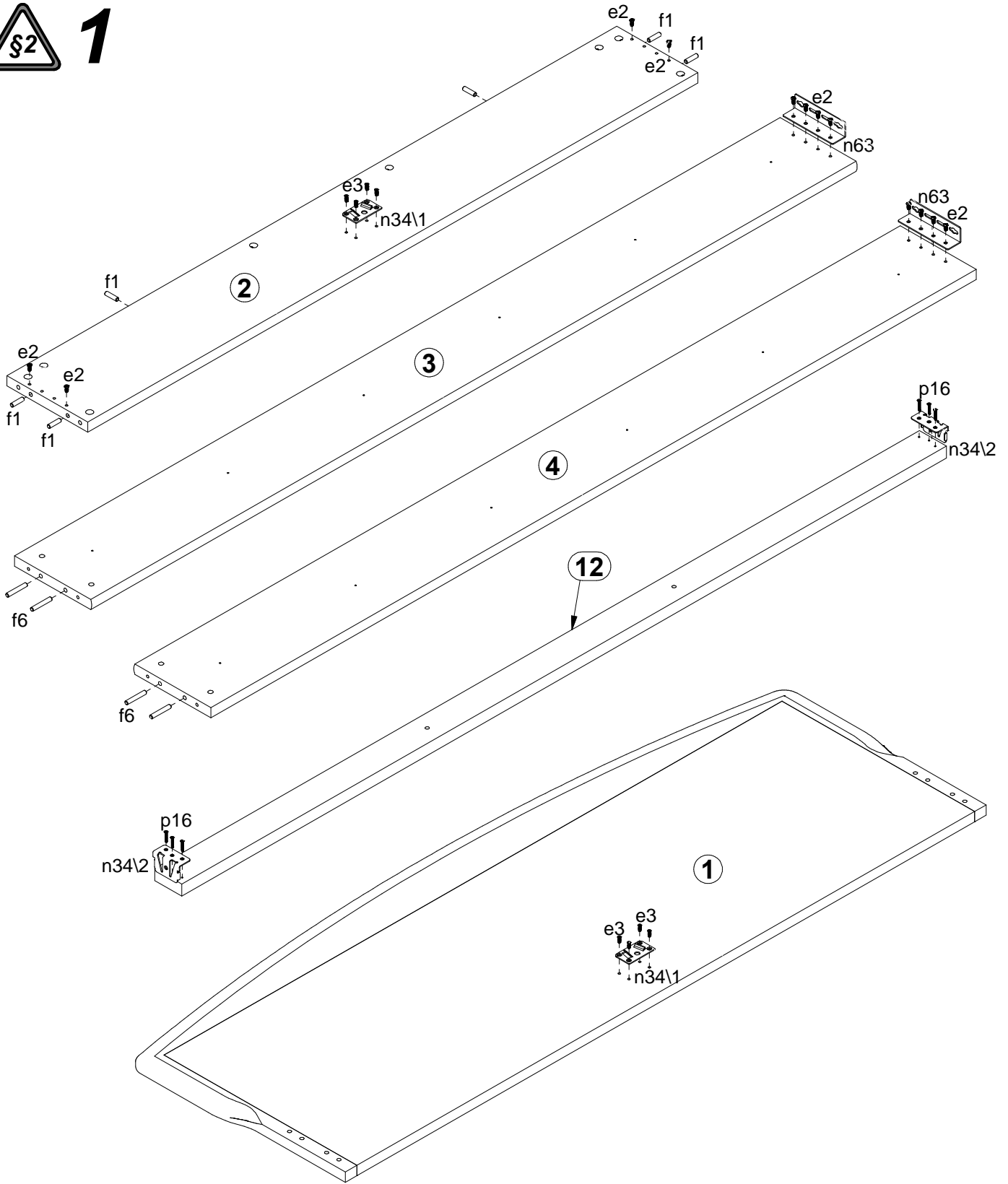


A	B	C		D
1	S71-018	1702	620	1/3
2	S71-019	1582	210	1/3
3	S71-122	1985	200	2/3
4	S71-123	1985	200	2/3
5	S71-212	1700	65	1/3
6	S71-579	370	60	3/3
7	S71-580	370	60	3/3
8	S71-581	370	50	3/3
9	S71-582	370	50	3/3
10	ZZ1-415	233	70	2/3
11	ZZ1-501	1872	1578	1/1
12	ZZ1-719	1983	70	2/3
13	ZZ1-720	1880	25	2/3

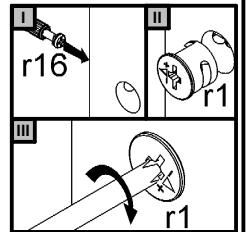
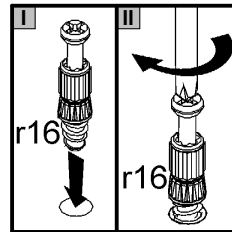
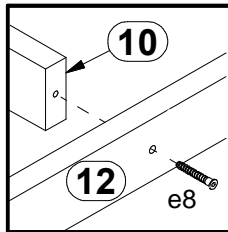
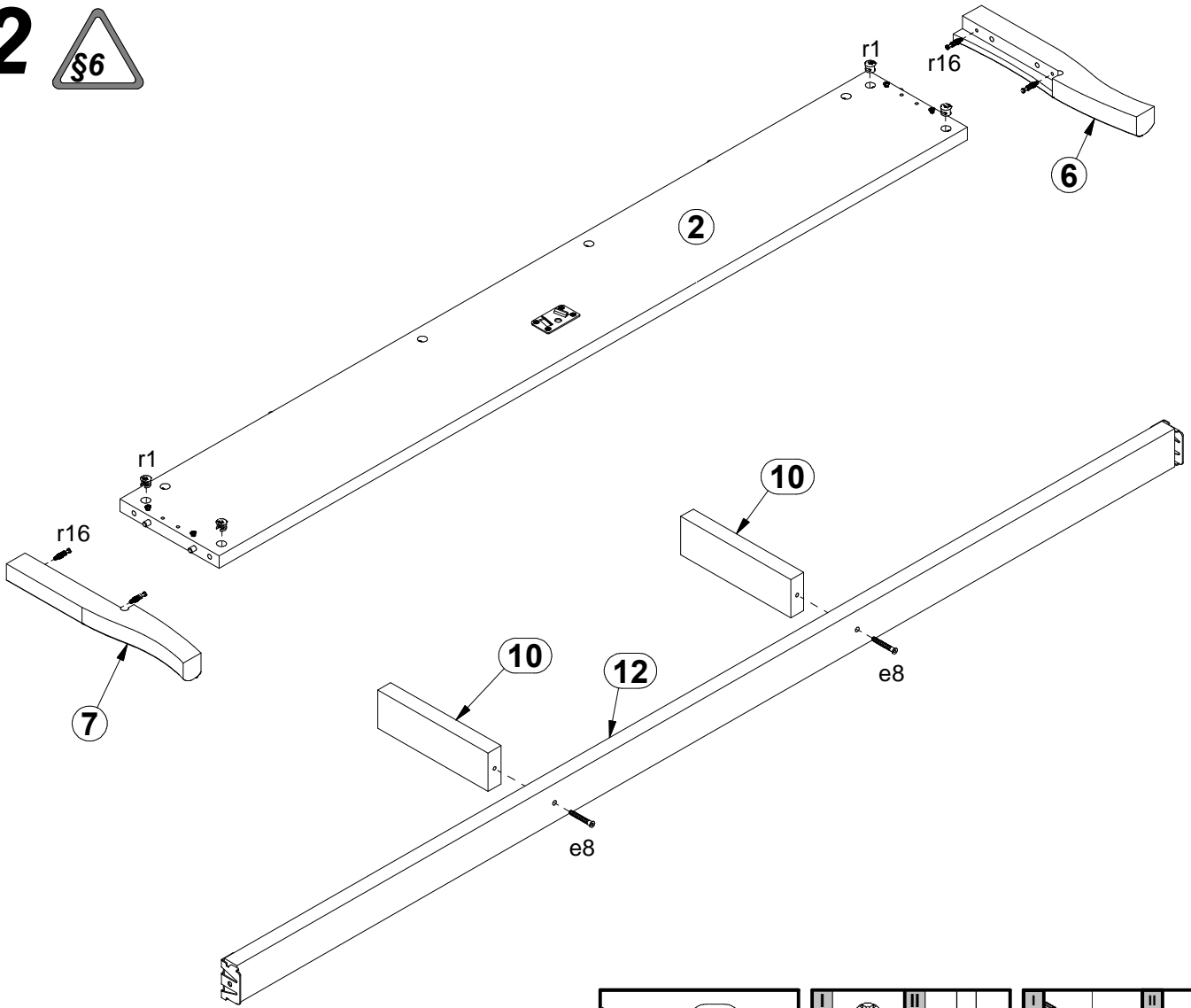


16x φ6,3x13 mm e2	8x φ6x13 mm e3	2x φ7x60 mm e8	6x φ8x30 mm f1	4x φ8x30 mm f6	4x M6x80 mm j117	2x n341	2x n342	2x 130x34x34,2mm n63
6x φ4x35 mm p6	12x φ4x45 mm p11	6x φ3,5x25 mm p16	8x φ15x12mm #16 r1	8x r16	4x φ10x16mm r43	1x z1		

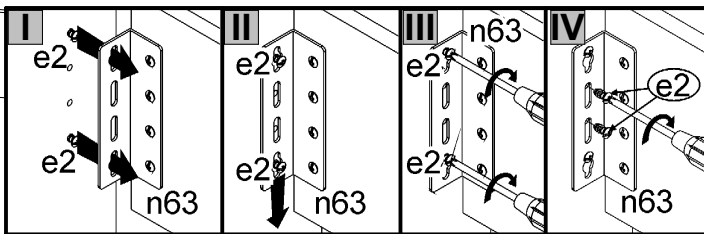
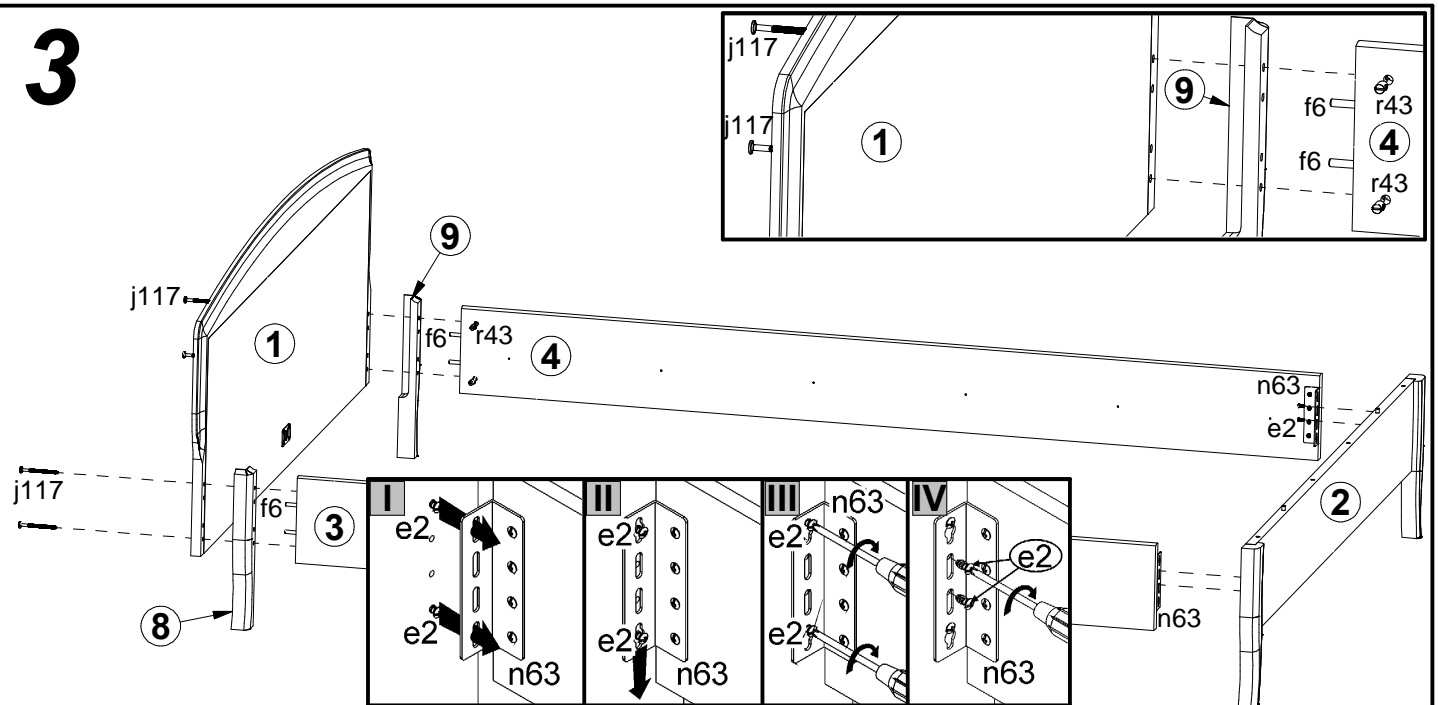
§2 **1**



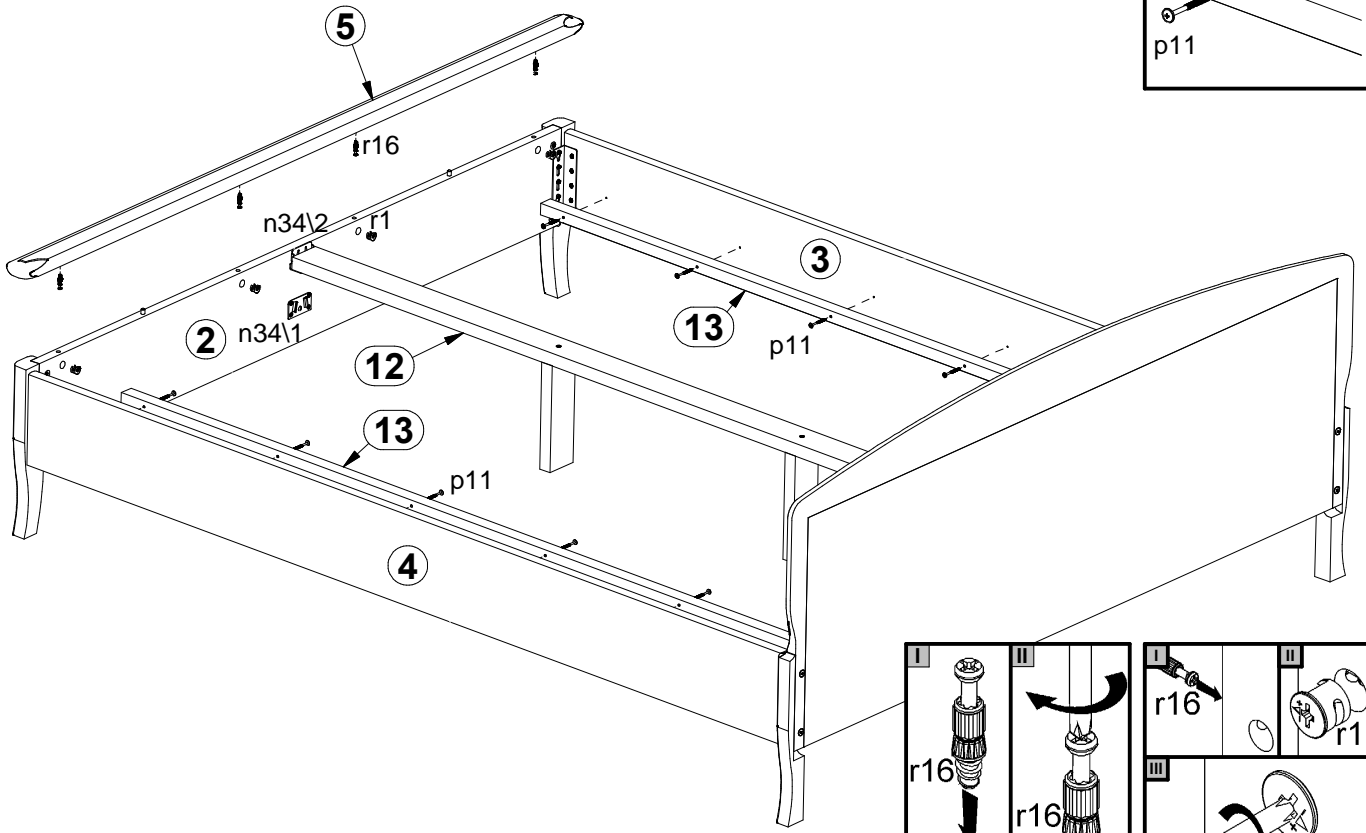
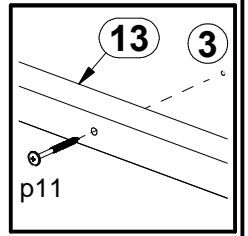
2



3



4



5

