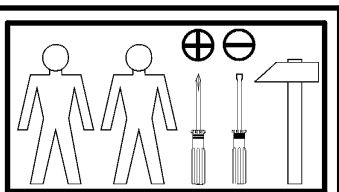
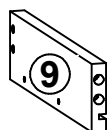
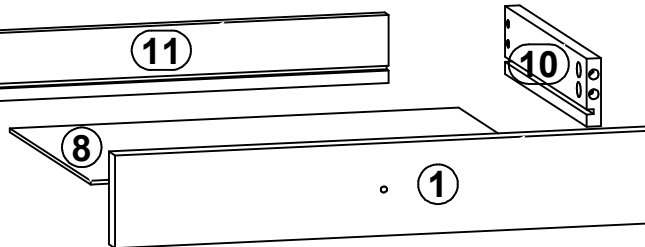
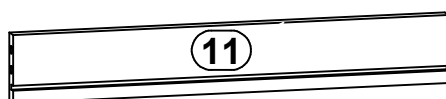
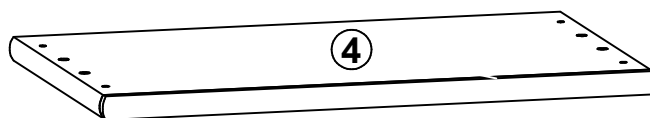
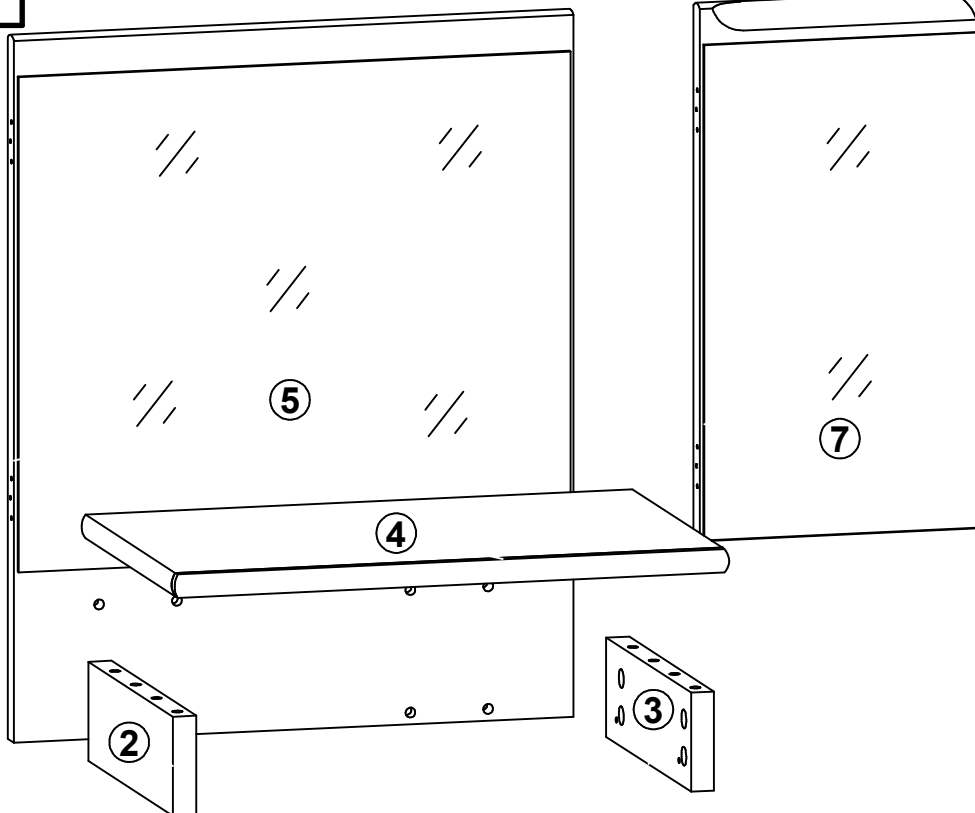
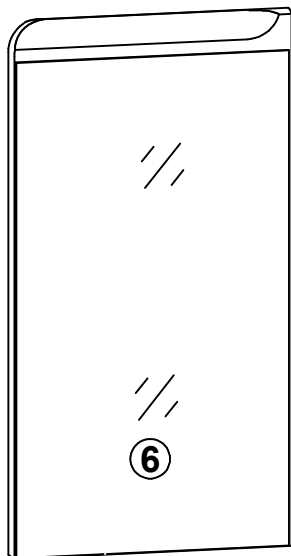
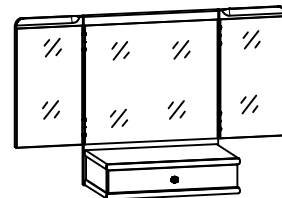
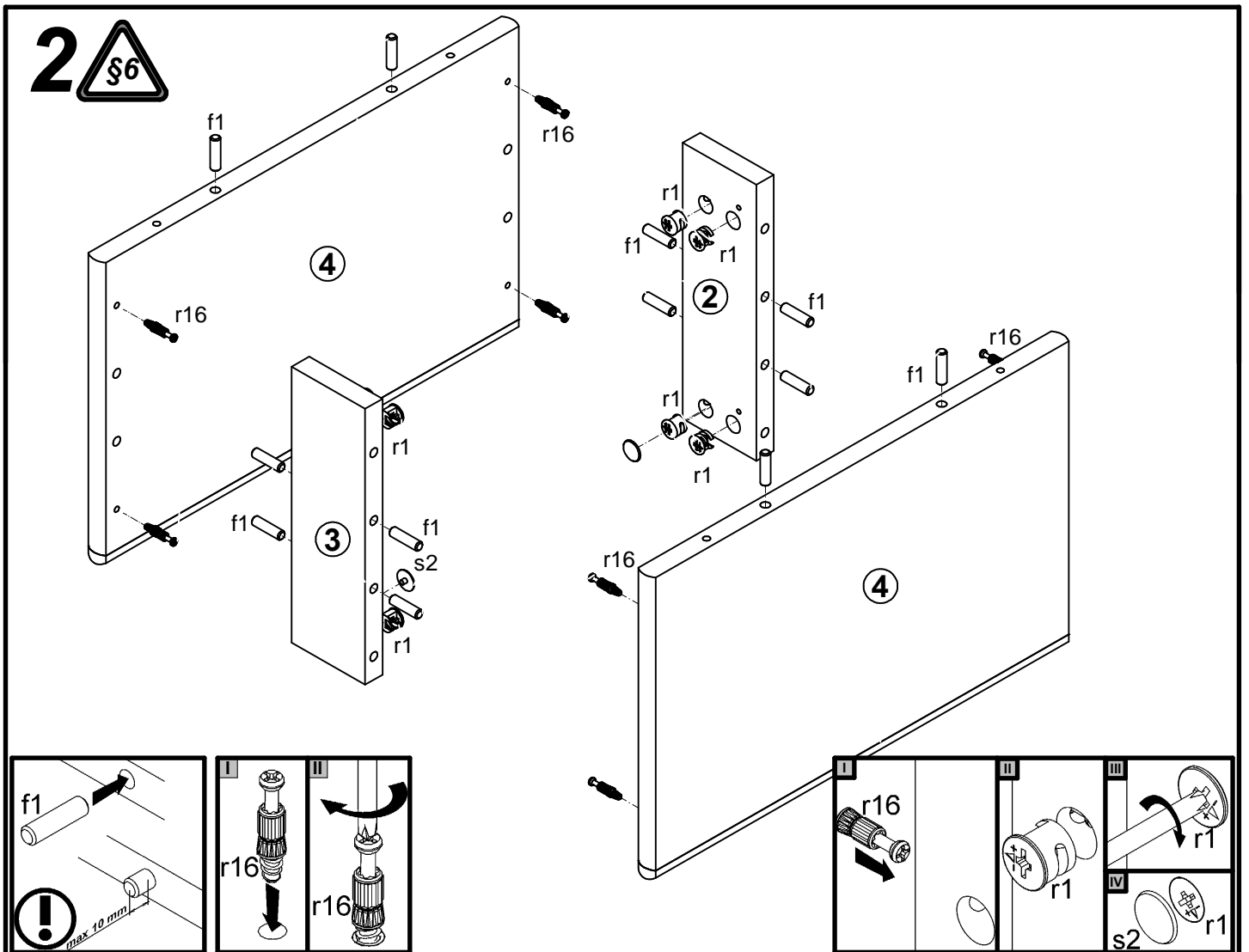
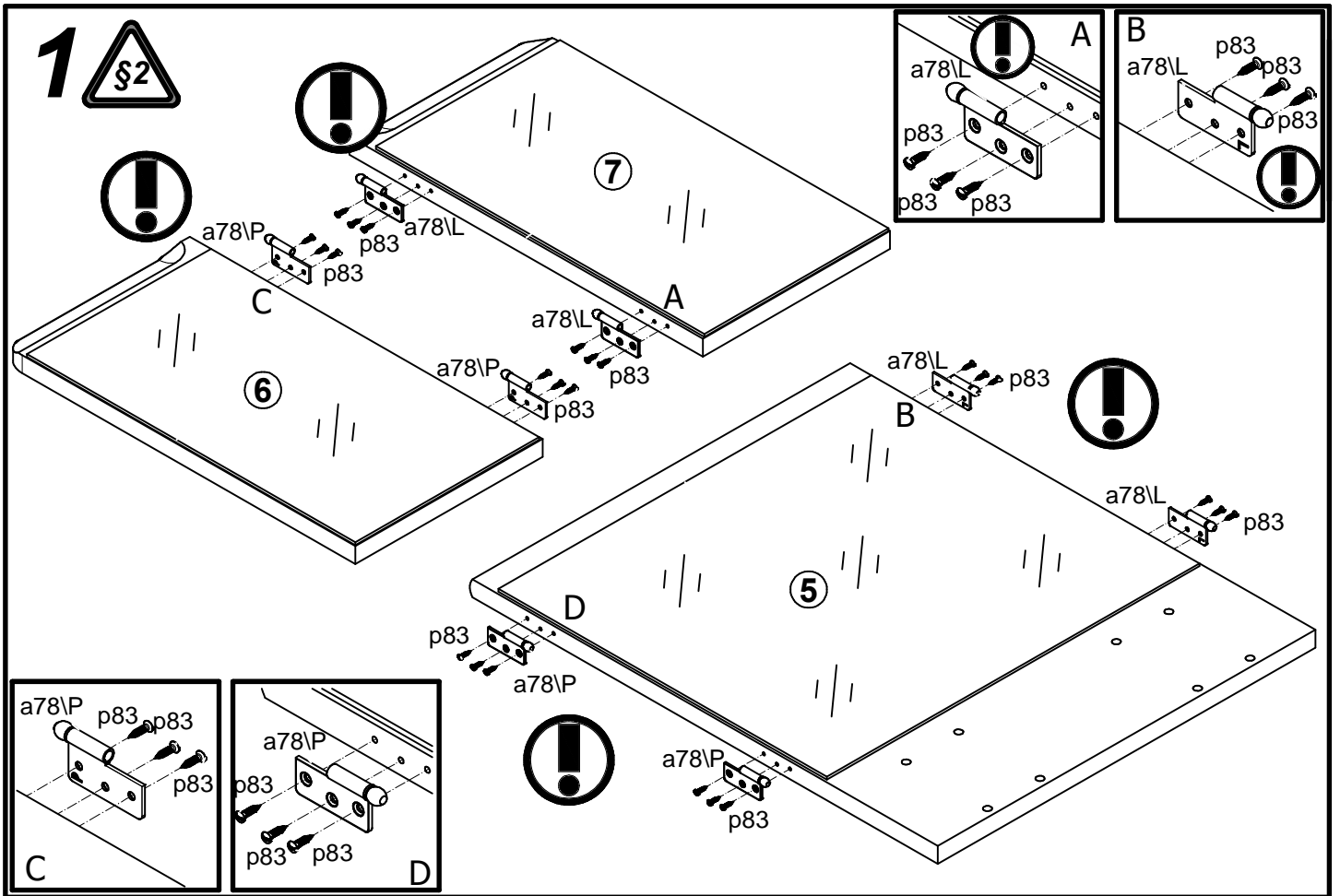


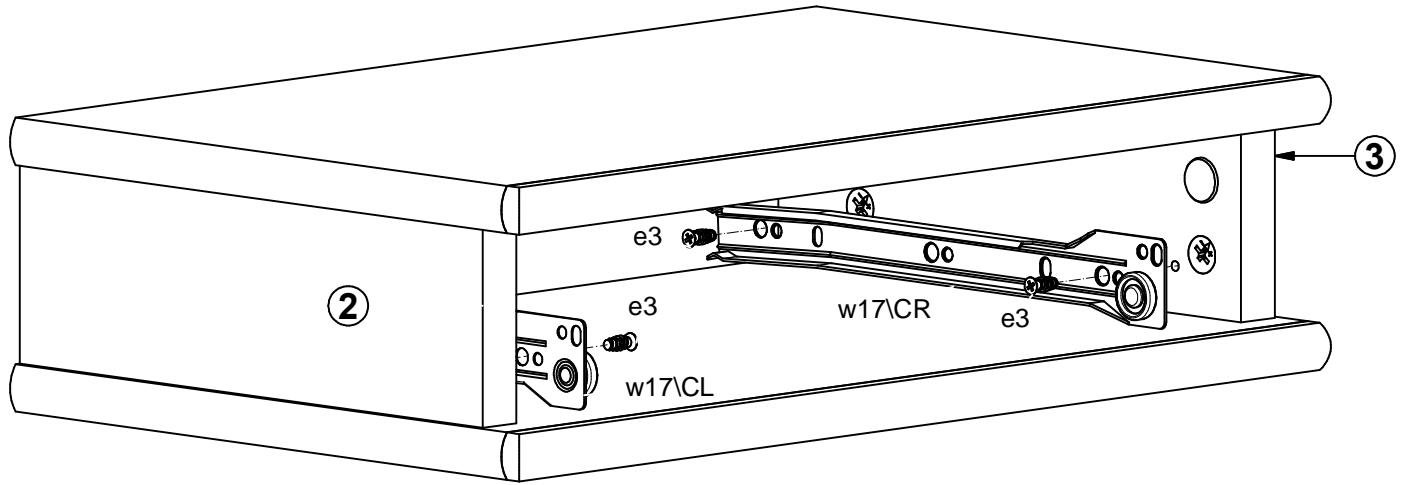
A	B	C	D
1	S71-025	442	75
2	S71-130	80	260
3	S71-131	80	260
4	S71-218	456	286
5	S71-405	570	460
6	S71-406	433	228
7	S71-407	433	228
8	S71-938	369	248
9	ZS1-555	250	55
10	ZS1-556	250	55
11	ZS1-6515	358	55



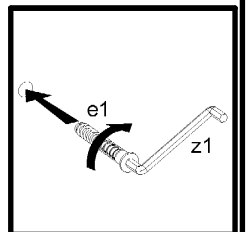
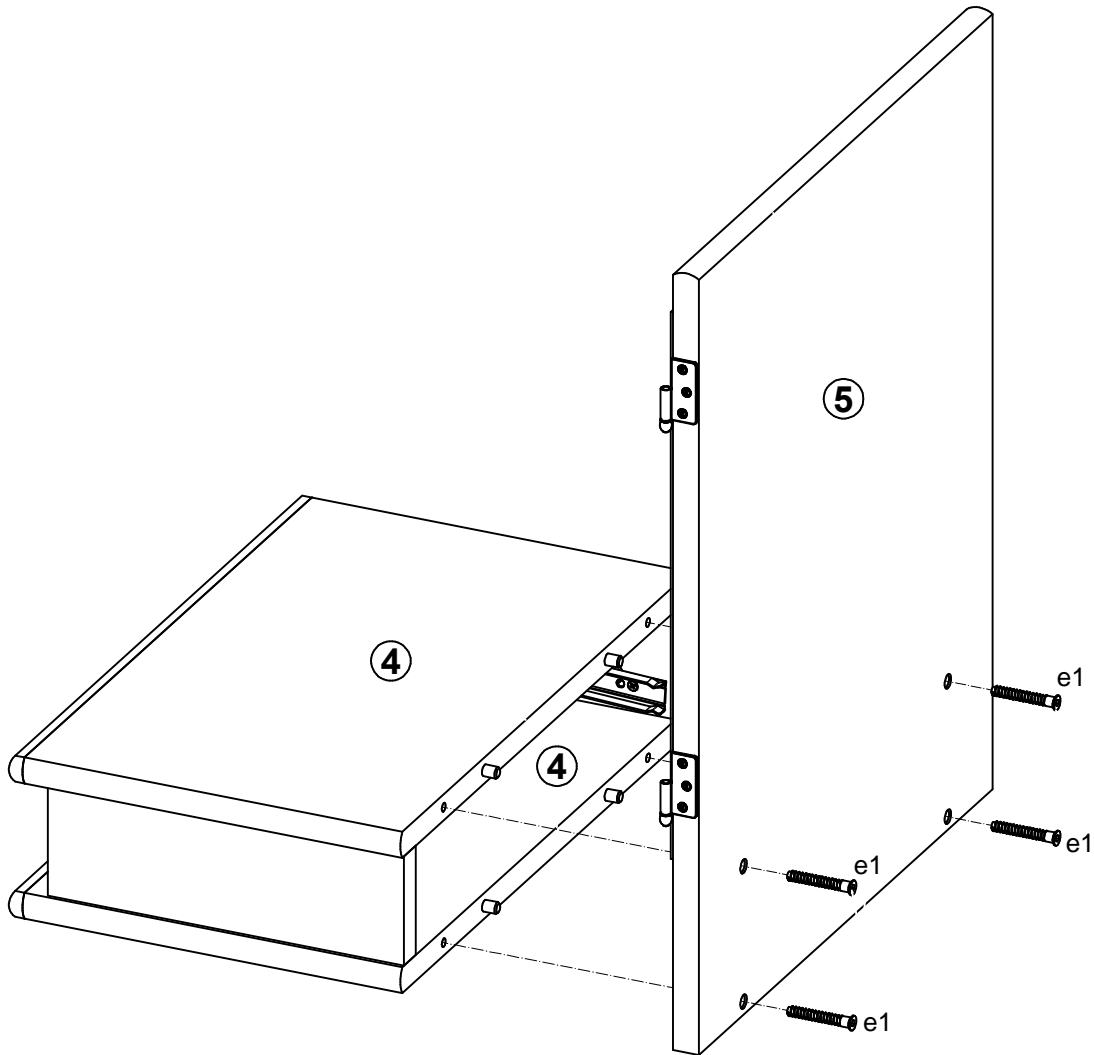
2x  a78L	2x  a78P	1x  c226	4x  φ7x50 mm e1	4x  φ6x13 mm e3	4x  φ5x9 mm e19	12x  φ8x30 mm f1	4x  φ6,5x40 mm f25	1x  √4x25 mm j53	
2x  62x12/1mm n52	6x  φ3,5x16 mm p25	24x  Ø3,5x12 mm p83	8x  φ1,5x12mm #16 r1	4x  φ12x10,5mm #12 r15	12x  r16	2x  ø16 s2	1x  250 mm w17CL	1x  250 mm w17CR	
1x  250 mm w17DL	1x  250 mm w17DR	1x  z1							



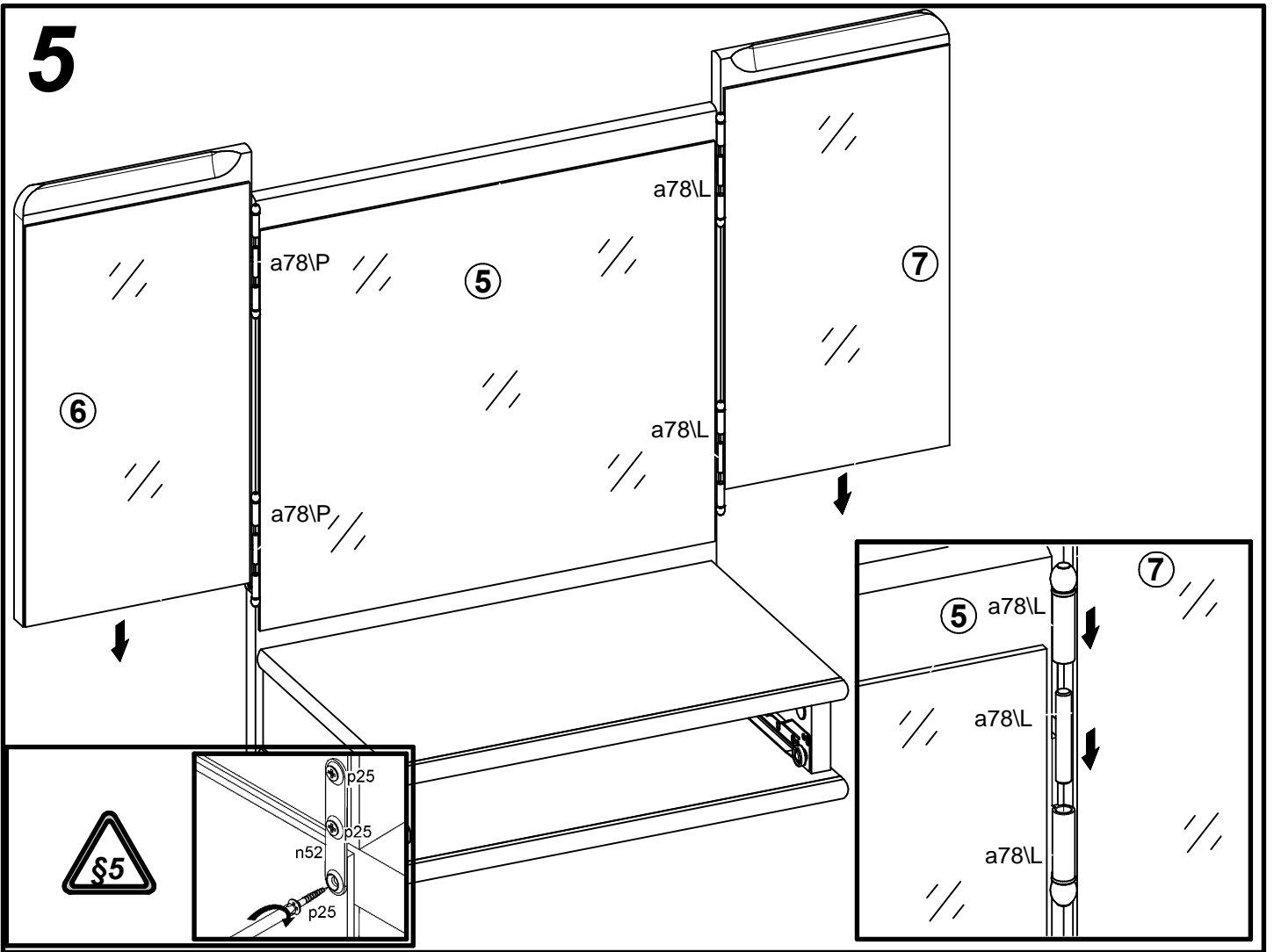
# 3



# 4



# 5



# 6

