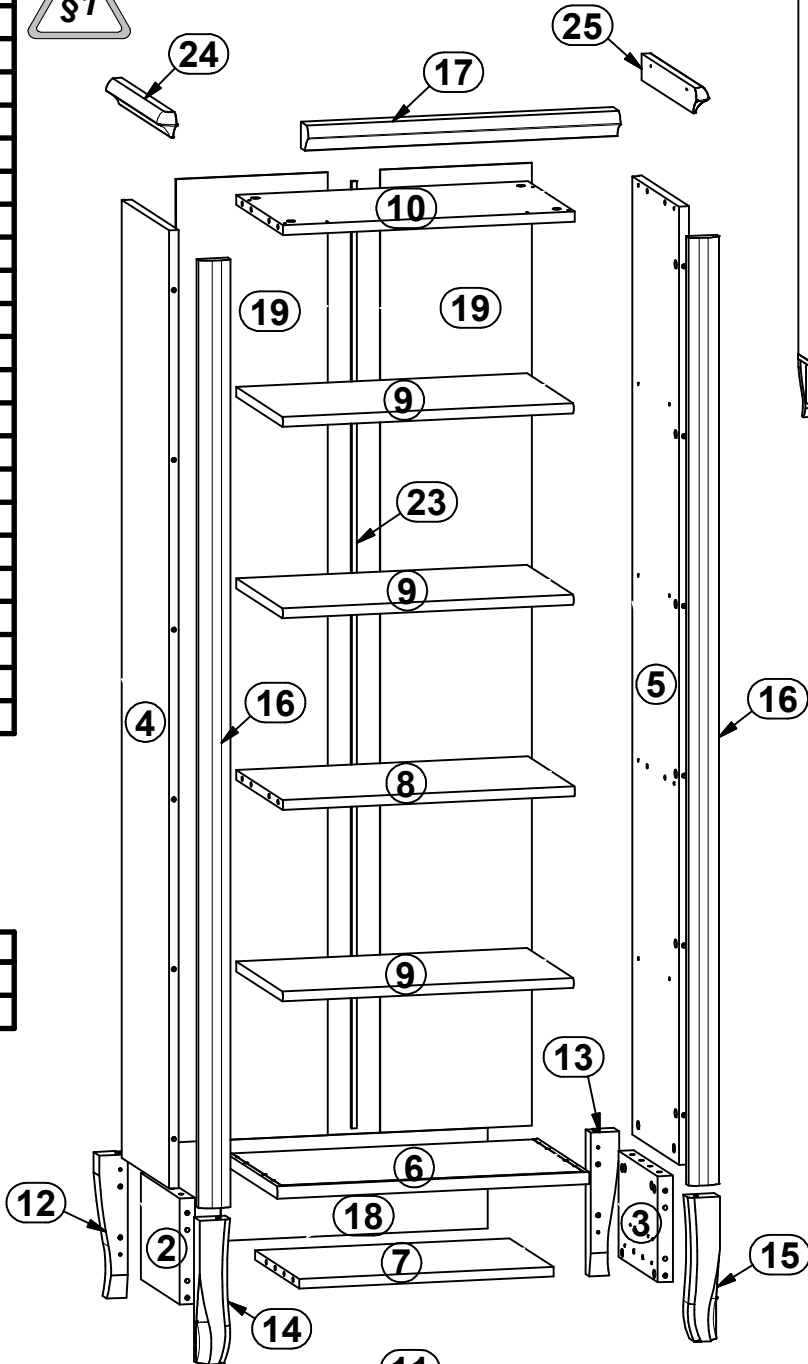
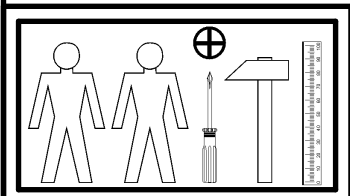


A	B	C	D	
1	S71-023	484	196	5/5
2	S71-120	200	280	2/5
3	S71-121	200	280	2/5
4	S71-125	1806	339	1/5
5	S71-126	1806	339	1/5
6	S71-215	599	372	2/5
7	S71-318	488	316	2/5
8	S71-319	560	335	2/5
9	S71-320	558	334	2/5
10	S71-321	560	335	2/5
11	S71-517	448	106	2/5
12	S71-573	272	55	4/5
13	S71-574	272	55	4/5
14	S71-588	272	60	4/5
15	S71-589	272	60	4/5
16	S71-590	1786	60	3/5
17	S71-594	599	55	3/5
18	S71-934	190	512	1/5
19	S71-935	1815	291	1/5
20	S71-936	459	306	1/5
21	ZS1-3507	300	120	2/5
22	ZS1-3508	300	120	2/5
23	lh-1785	1785	12	1/5



A	B	C	D	
24	S71-592	394	30	1/1
25	S71-593	394	30	1/1

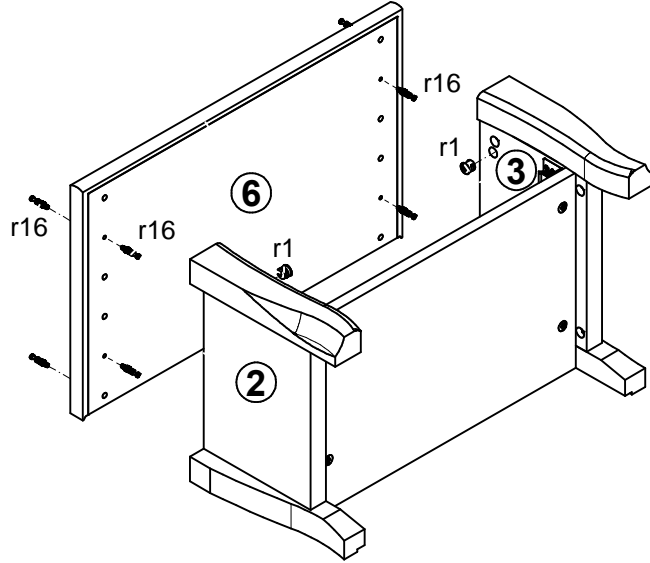
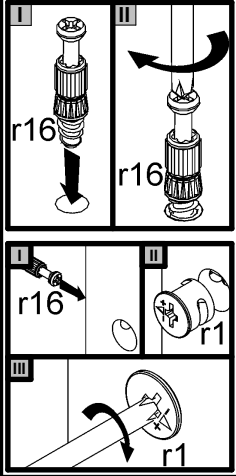


12x φ5x17 mm d1	8x φ6x13 mm e3	32x φ8x30 mm f1	4x φ6.5x40 mm f25	70x l1	2x 25x2.5x16/2 mm n110	5x φ3.5x16 mm p38	4x φ4x13 mm p93	40x φ1.5x12mm #16 r1
4x φ12x10.5mm #12 r15	44x r16	16x ø16 s2	1x 300 mm w46/L	1x 300 mm w46/P	1x n26/1	1x φ3.5x16 mm p38	4x 36x2.5x16/2 mm n117	8x φ4x13 mm p93

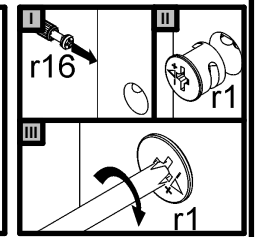
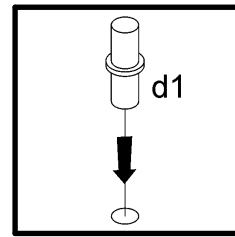
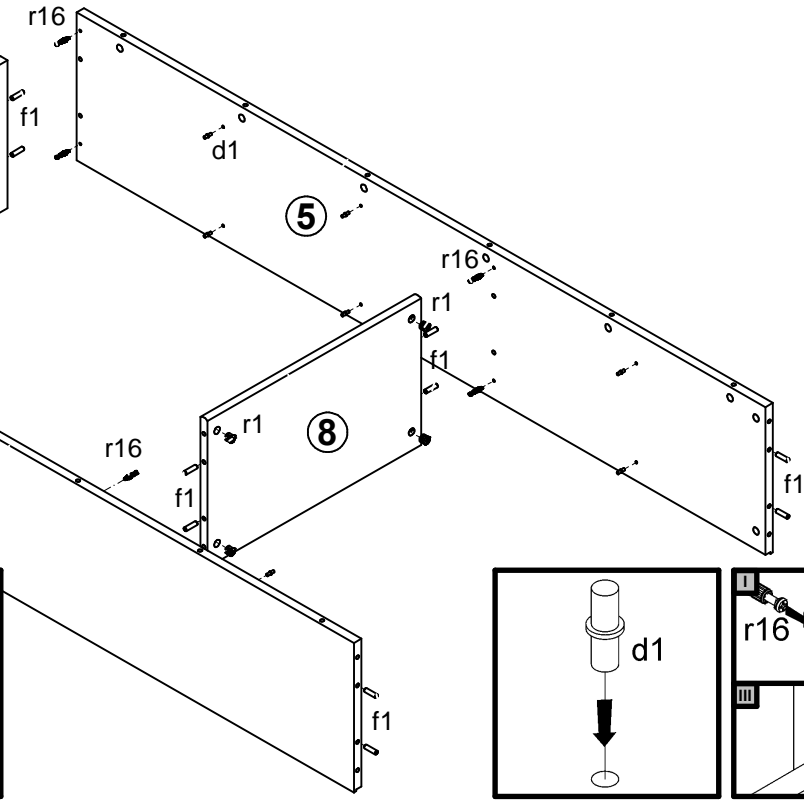
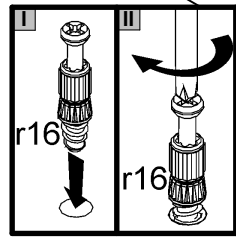
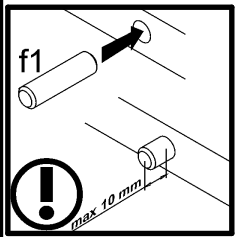




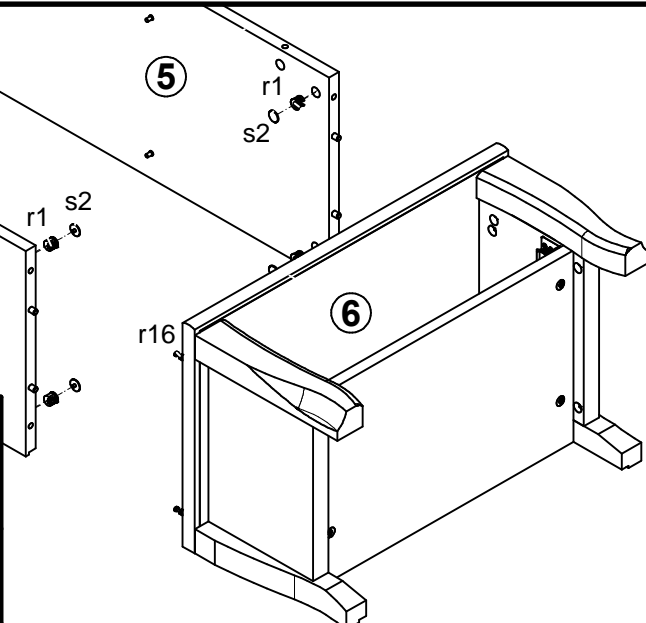
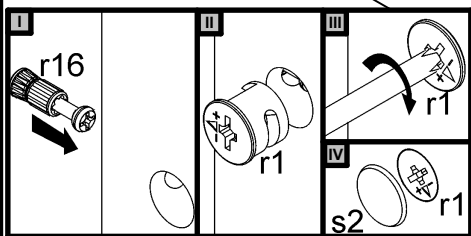
# 4



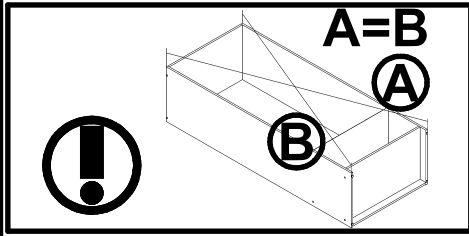
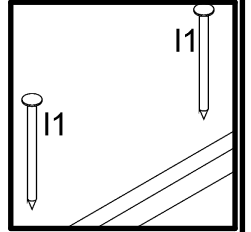
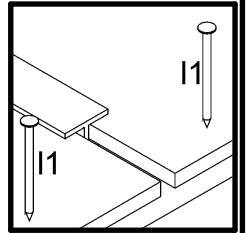
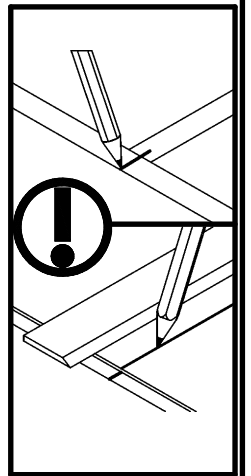
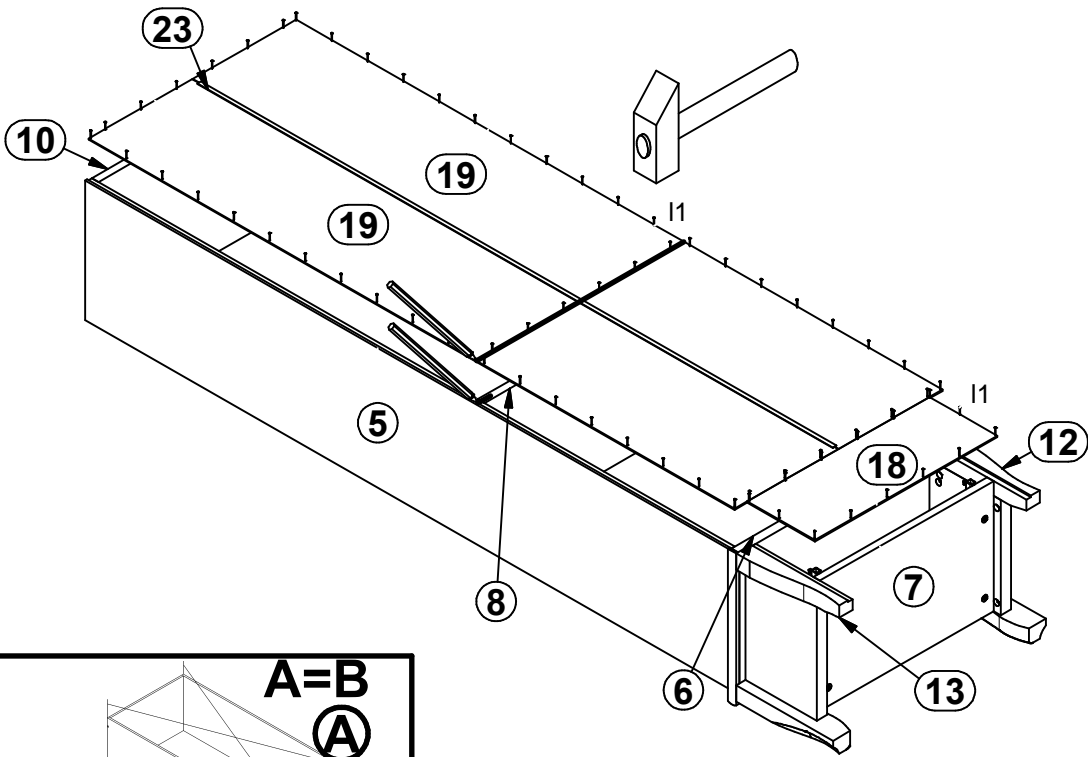
# 5



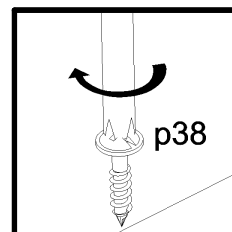
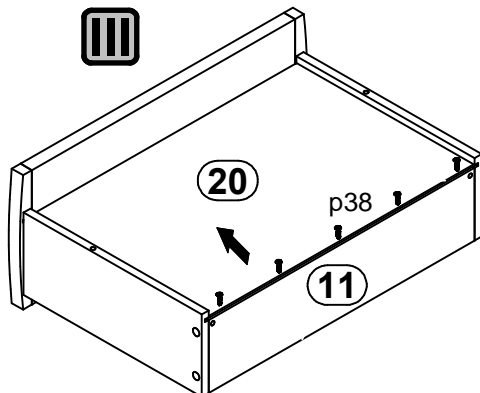
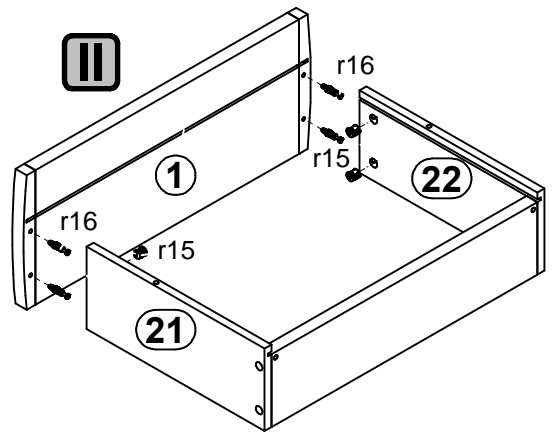
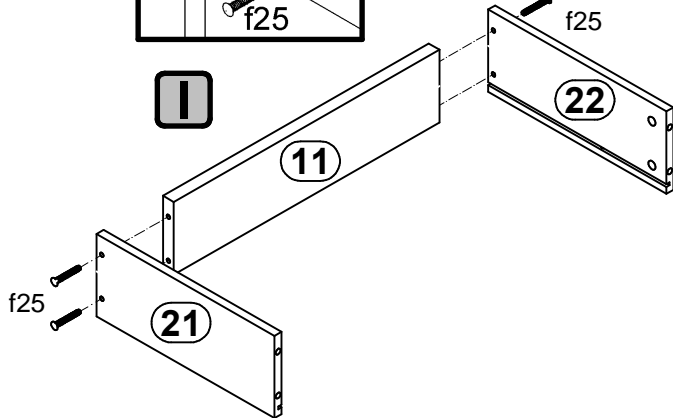
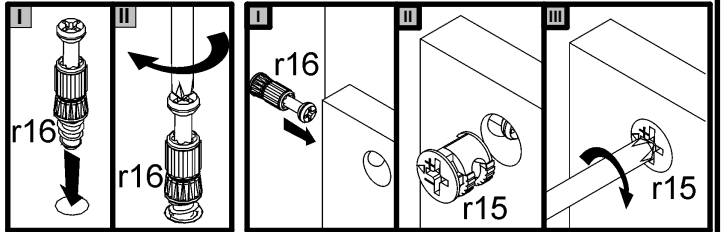
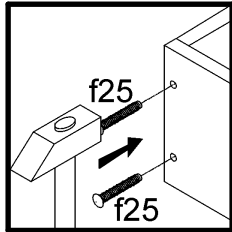
# 6



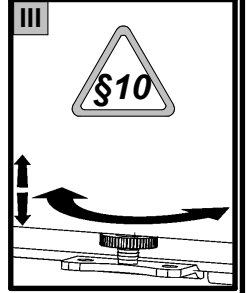
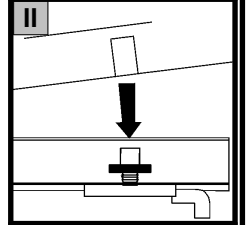
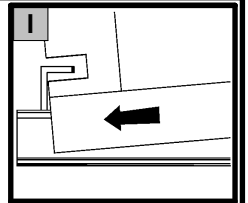
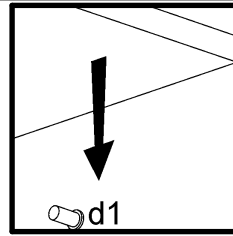
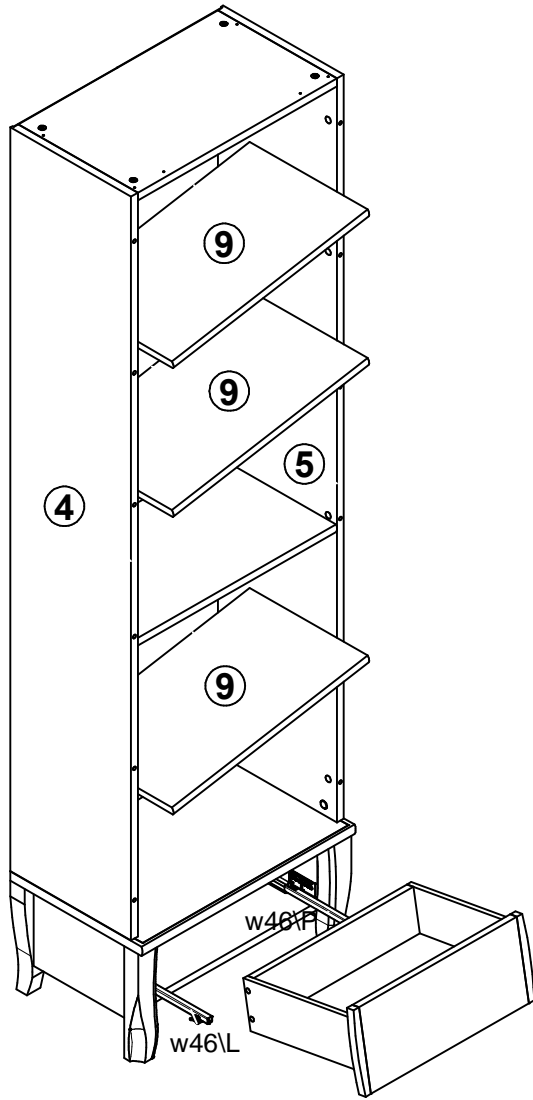
# 7



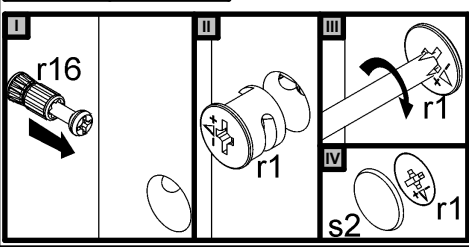
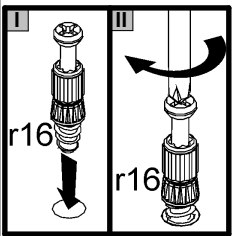
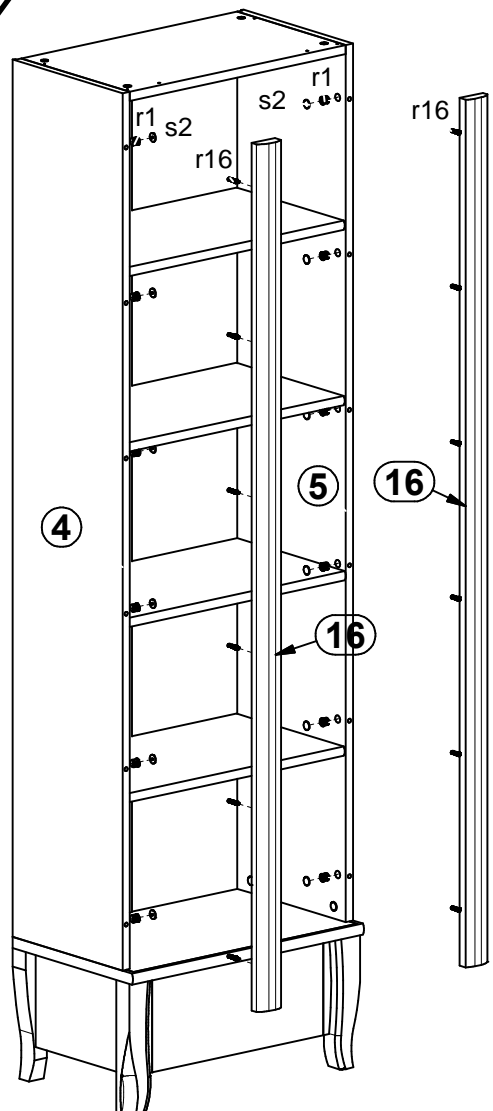
# 8



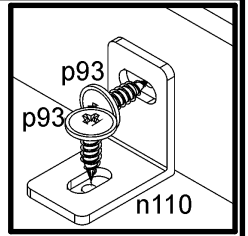
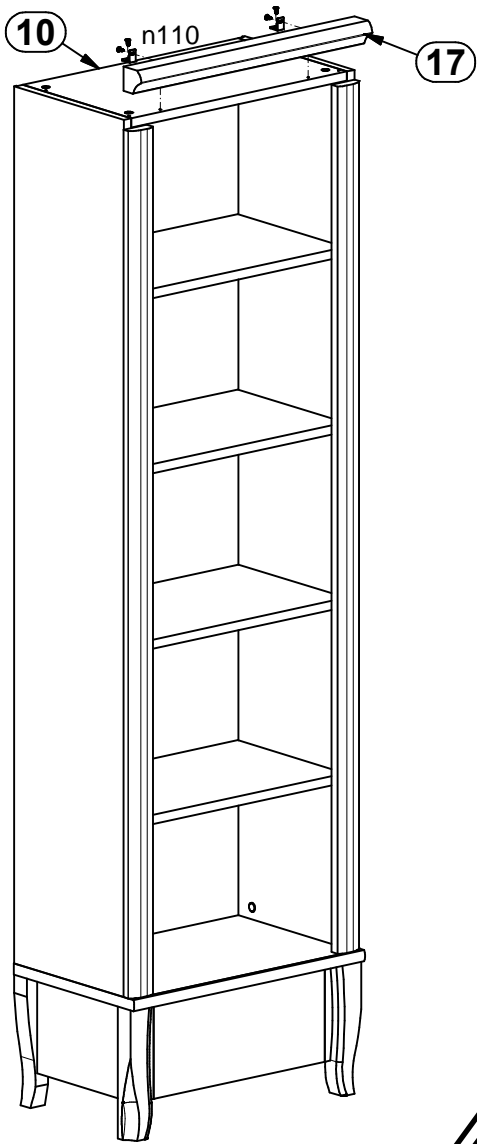
# 9



# 10



# 11



# 12

