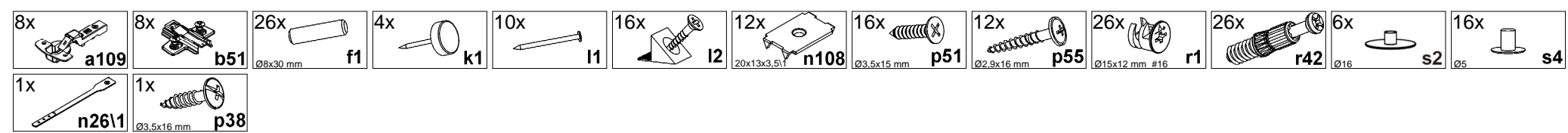
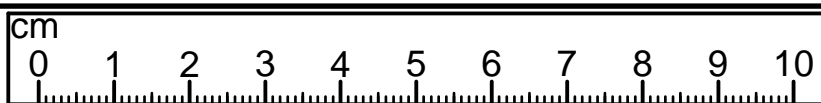
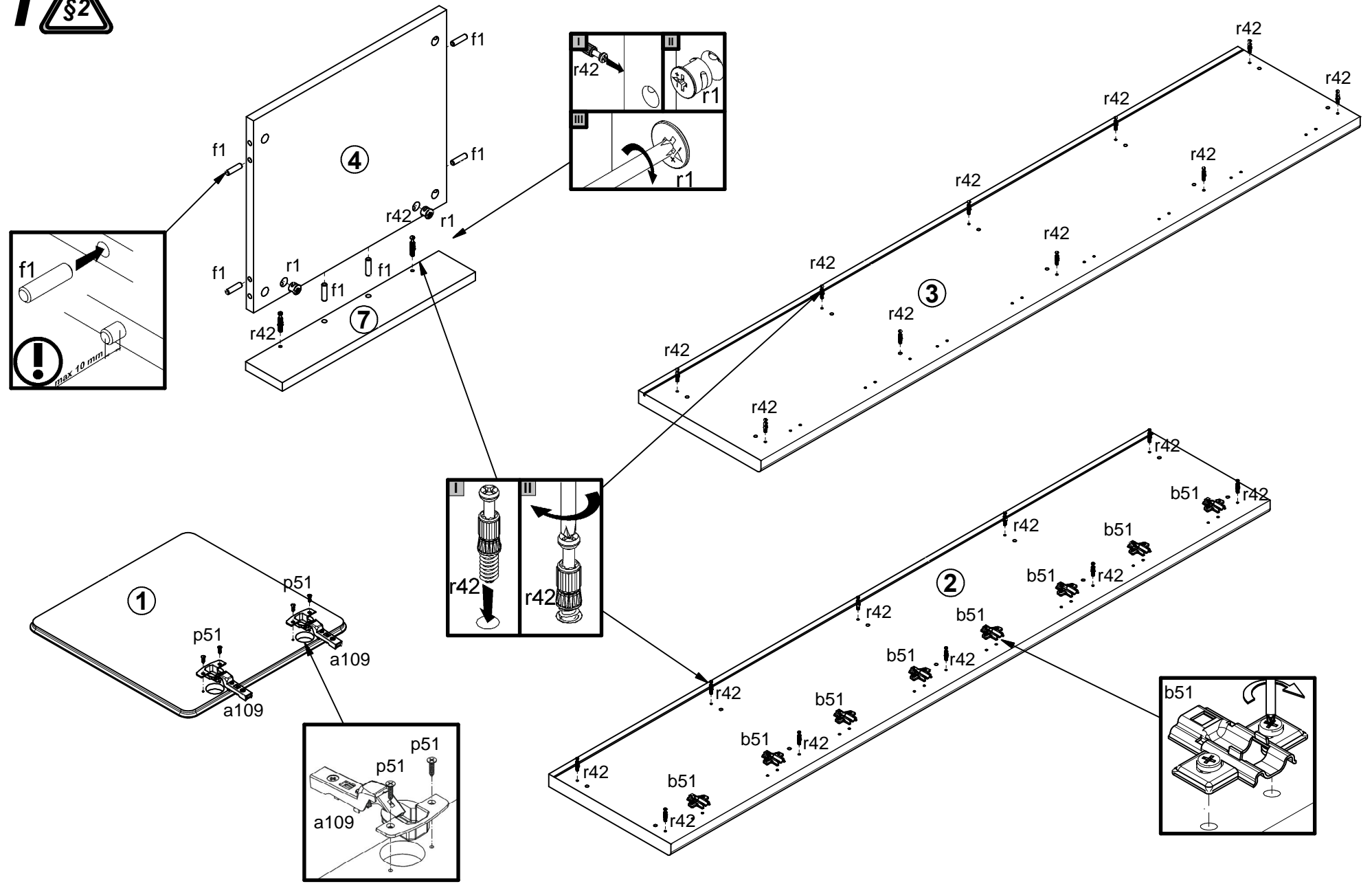


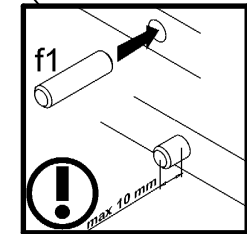
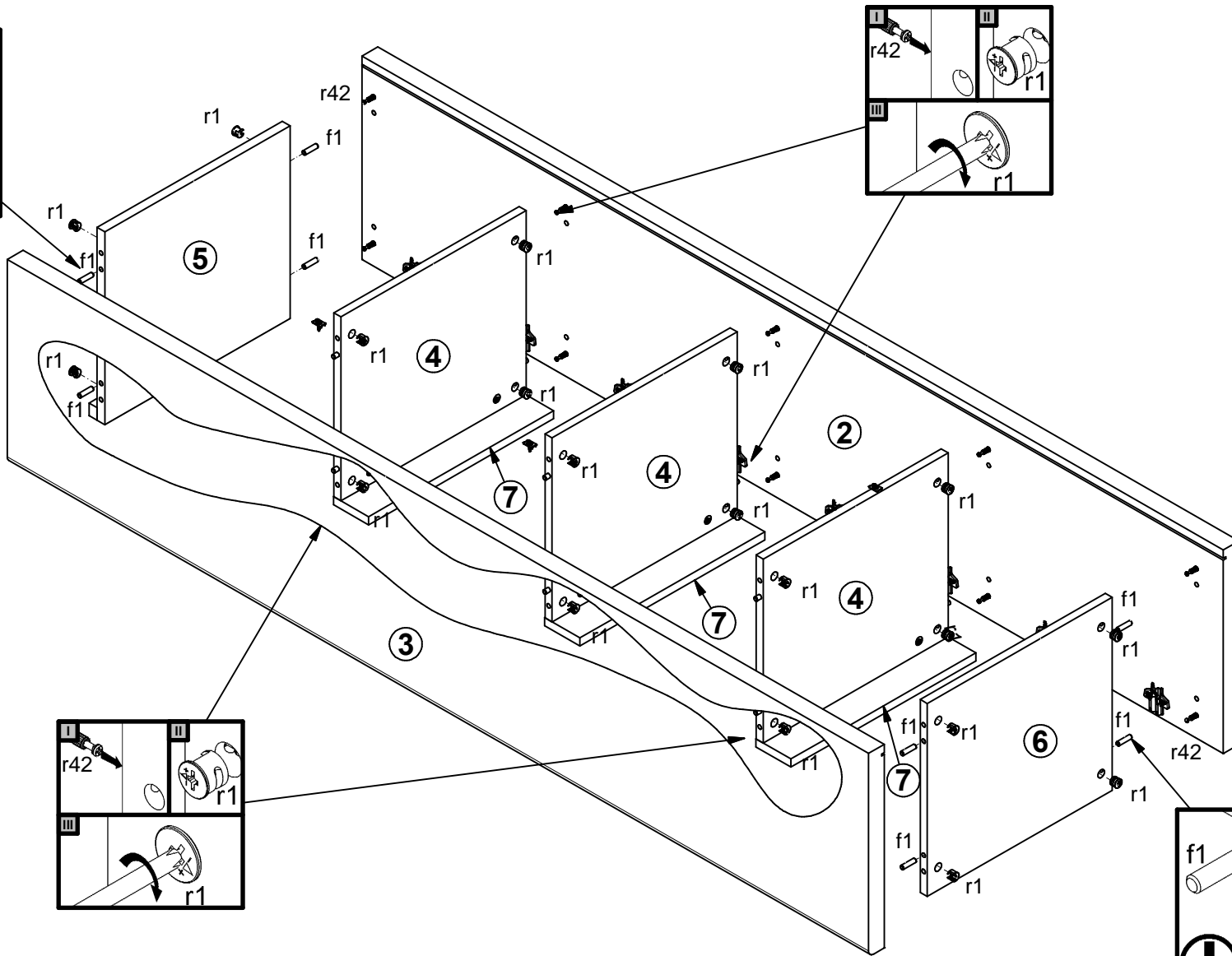
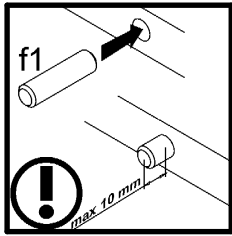
A	B	C (mm)		D
1	S221-017	445	445	1/1
2	S221-154	1960	400	1/1
3	S221-155	1960	400	1/1
4	S221-344	421	361,5	1/1
5	S221-358	421	379	1/1
6	S221-359	421	379	1/1
7	S221-415	421	80	1/1
8	S221-921	445	431	1/1
9	S221-922	480	431	1/1



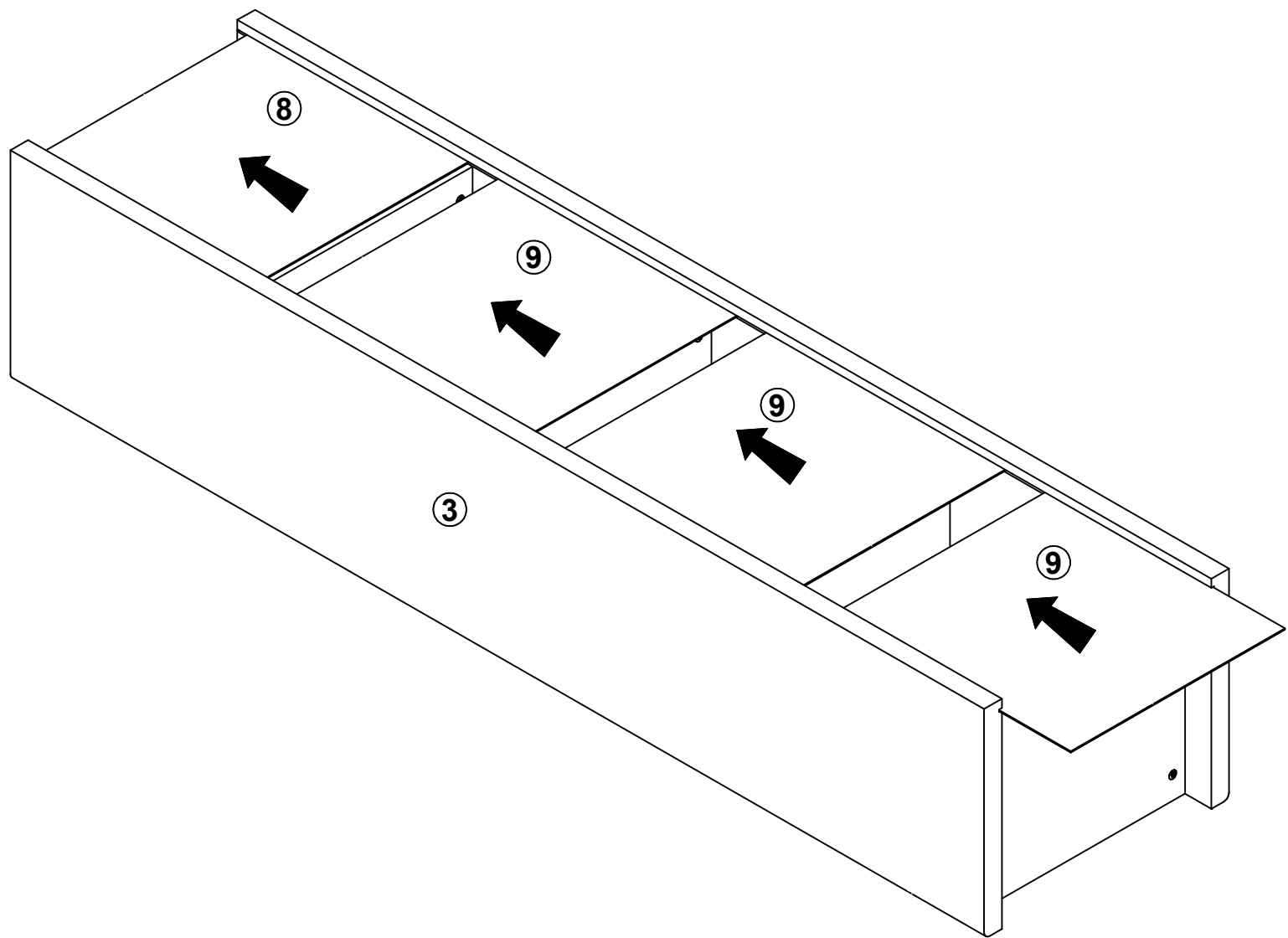
1 



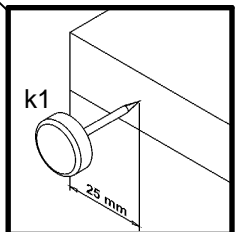
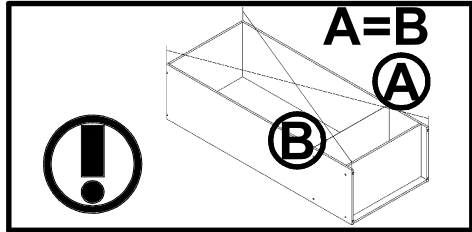
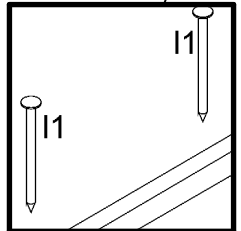
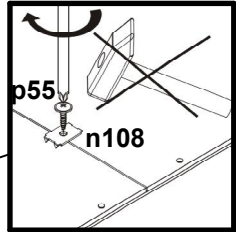
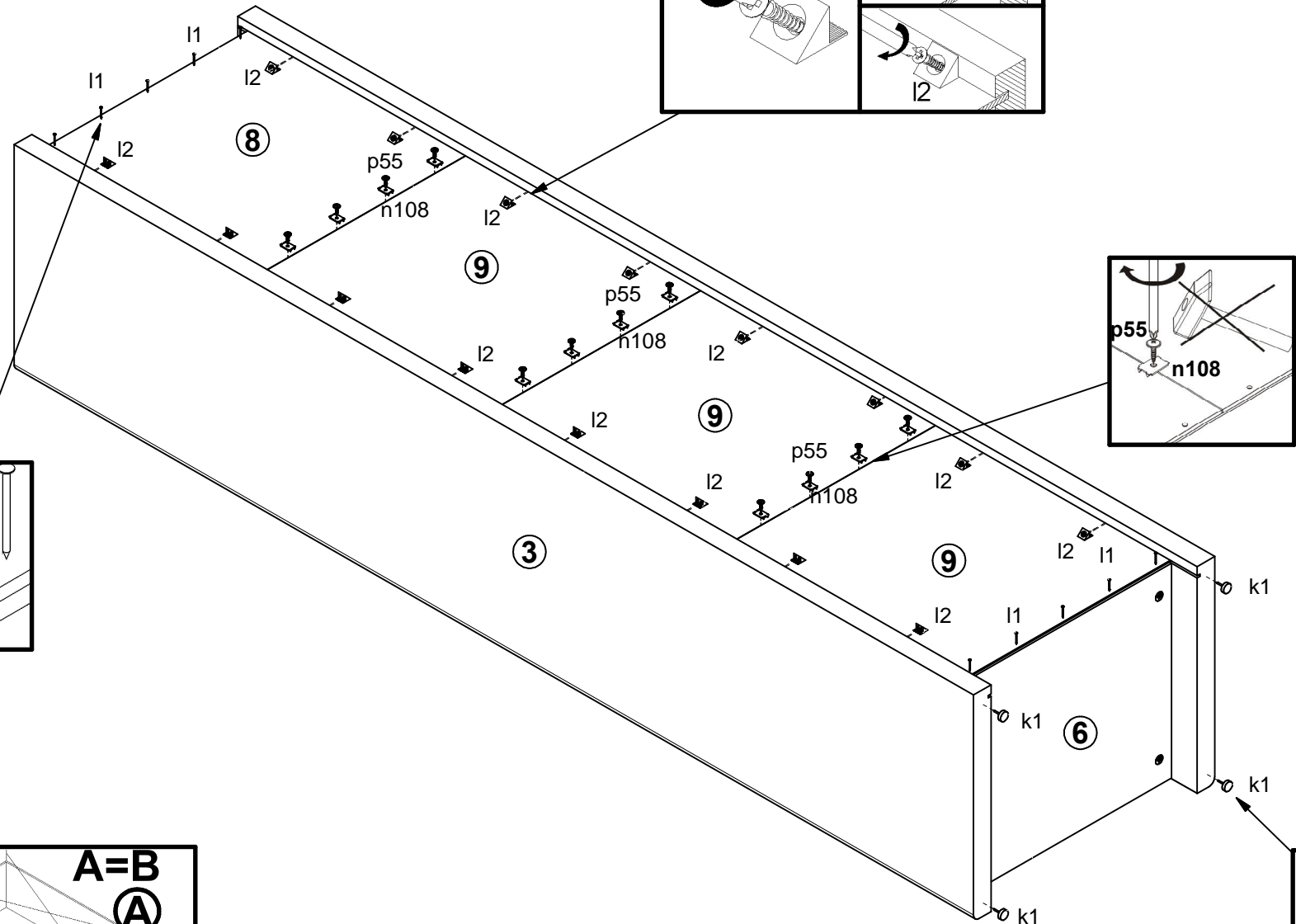
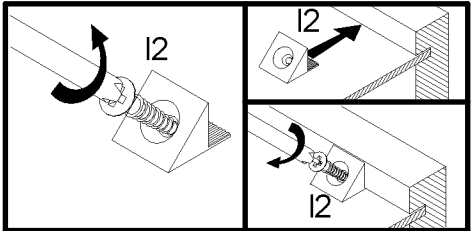
2



3



4 



5

