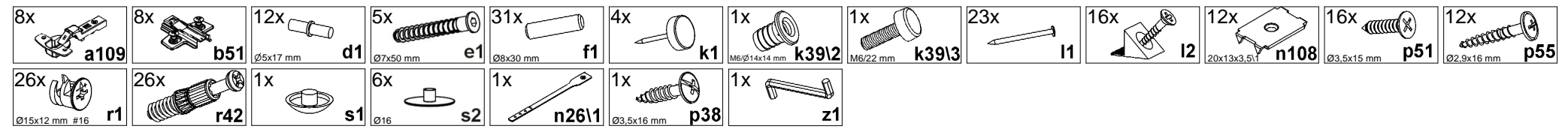
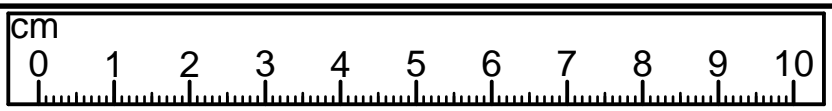
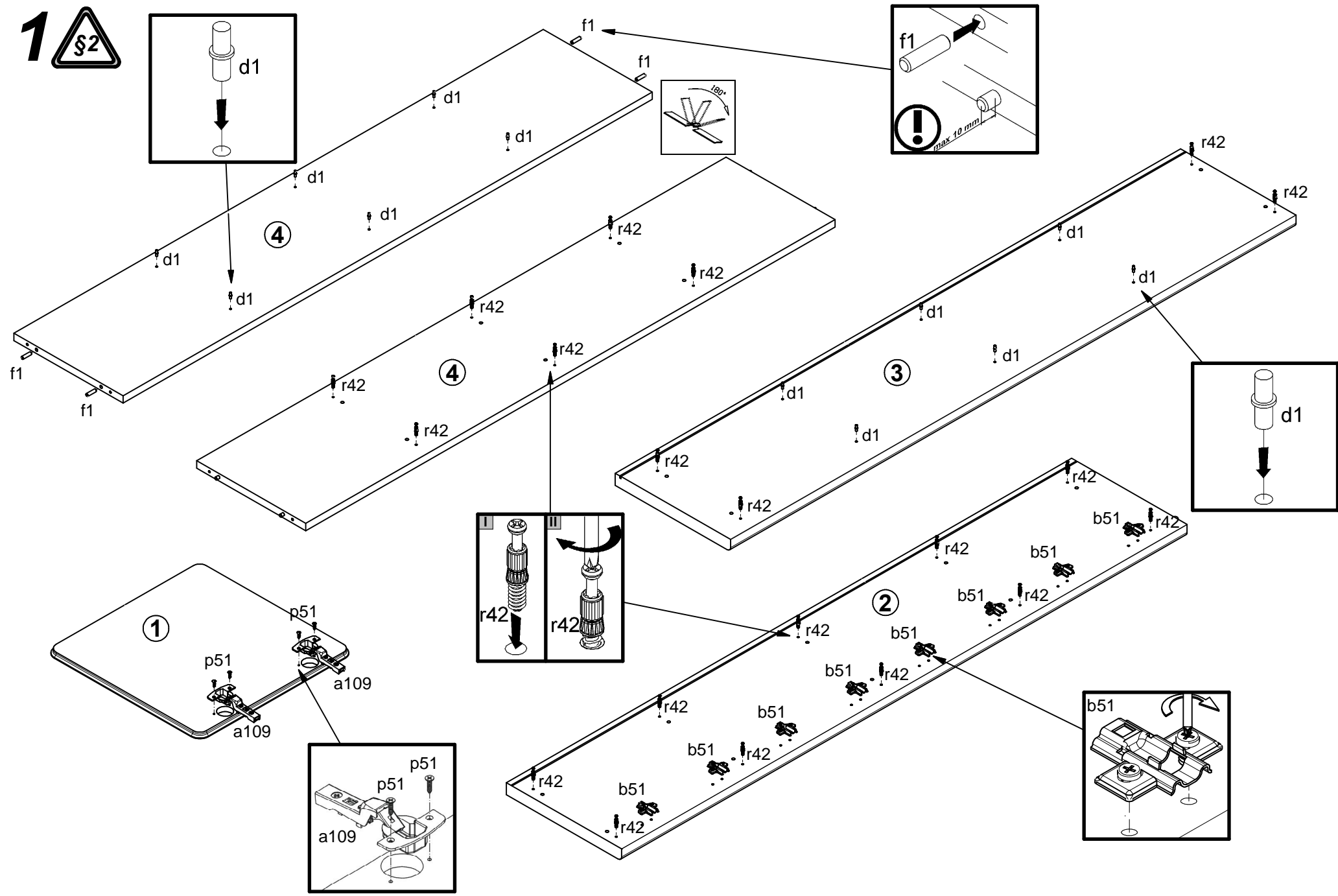
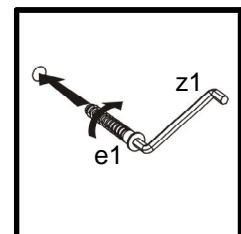


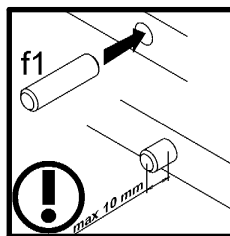
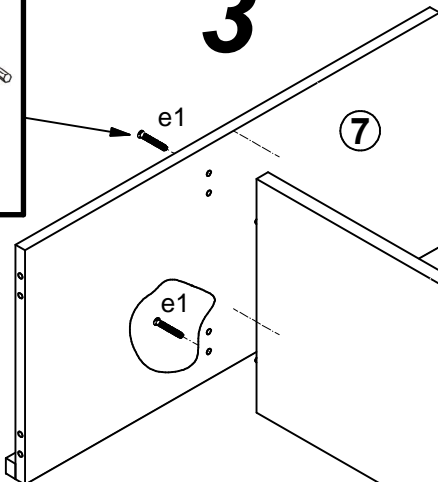
A	B	C (mm)		D
1	S221-017	445	445	1/1
2	S221-141	1960	400	1/1
3	S221-142	1960	400	1/1
4	S221-143	1835	378	1/1
5	S221-344	421	361,5	1/1
6	S221-345	776	379	1/1
7	S221-346	776	379	1/1
8	S221-347	333	375	1/1
9	S221-415	421	80	1/1
10	S221-532	64	100	1/1
11	S221-915	1867	437	1/1
12	S221-916	1867	348	1/1



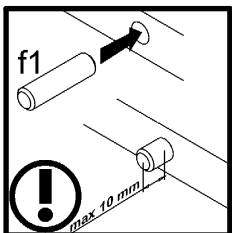
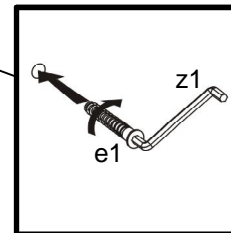
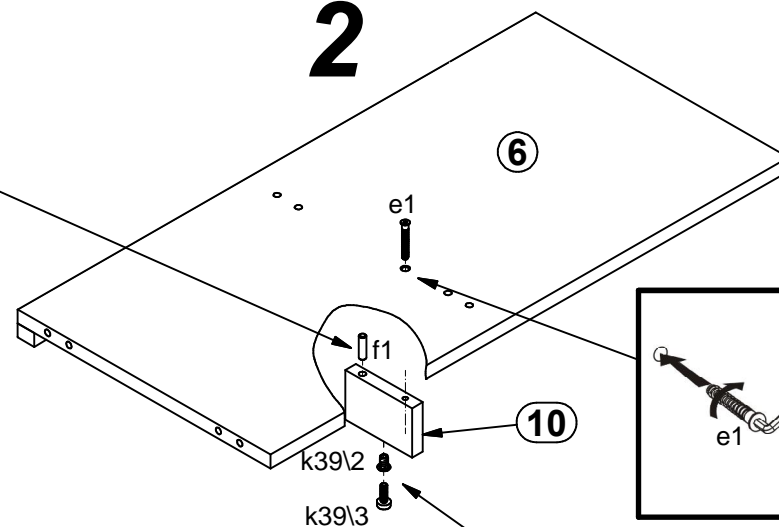




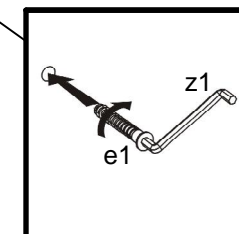
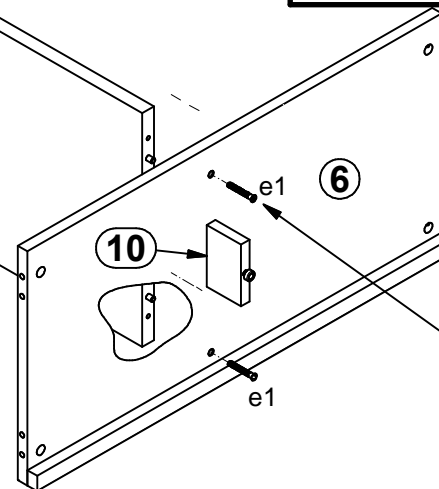
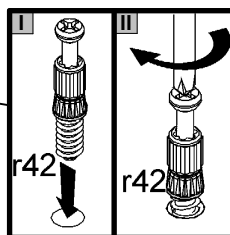
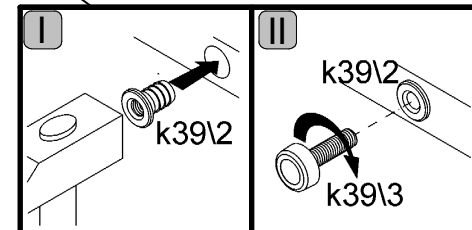
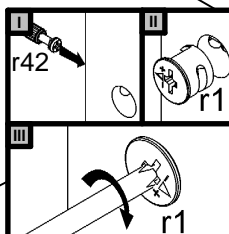
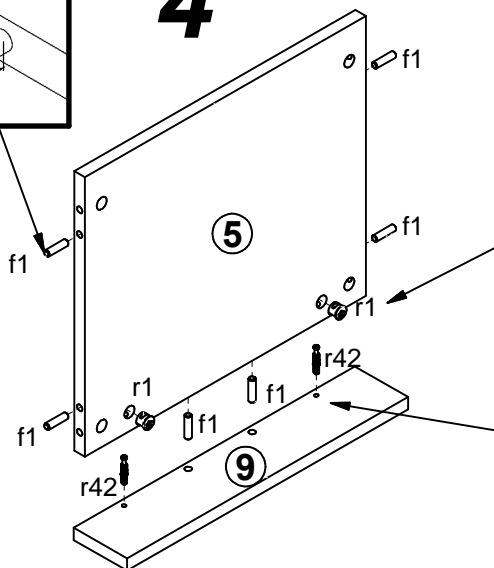
3



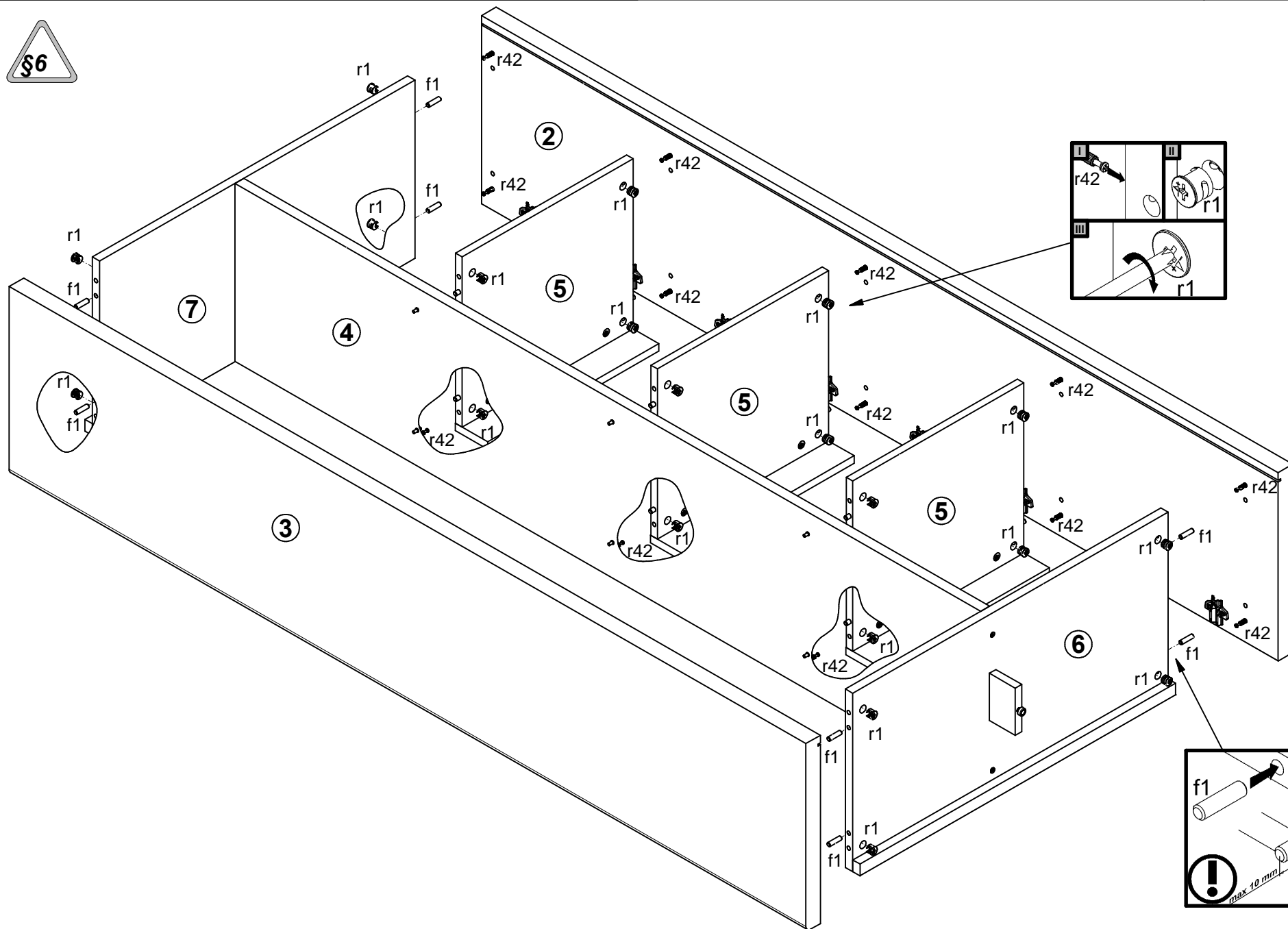
2



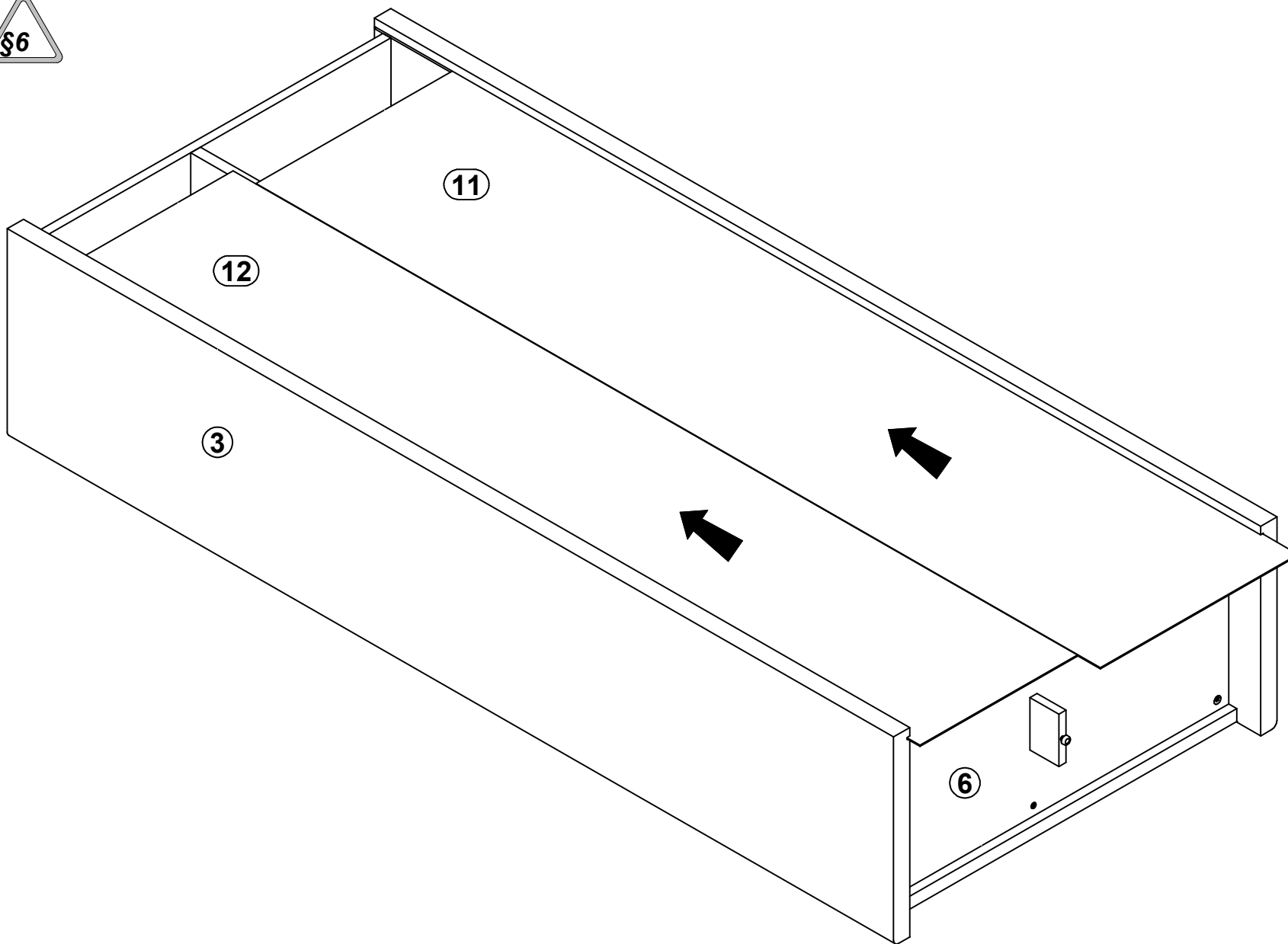
4



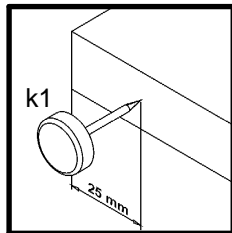
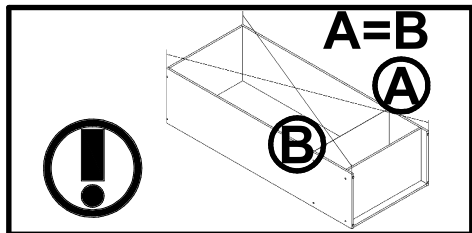
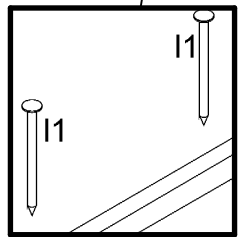
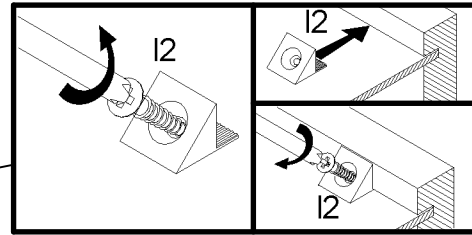
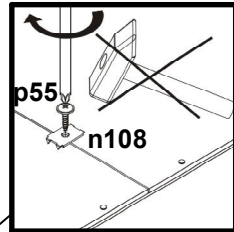
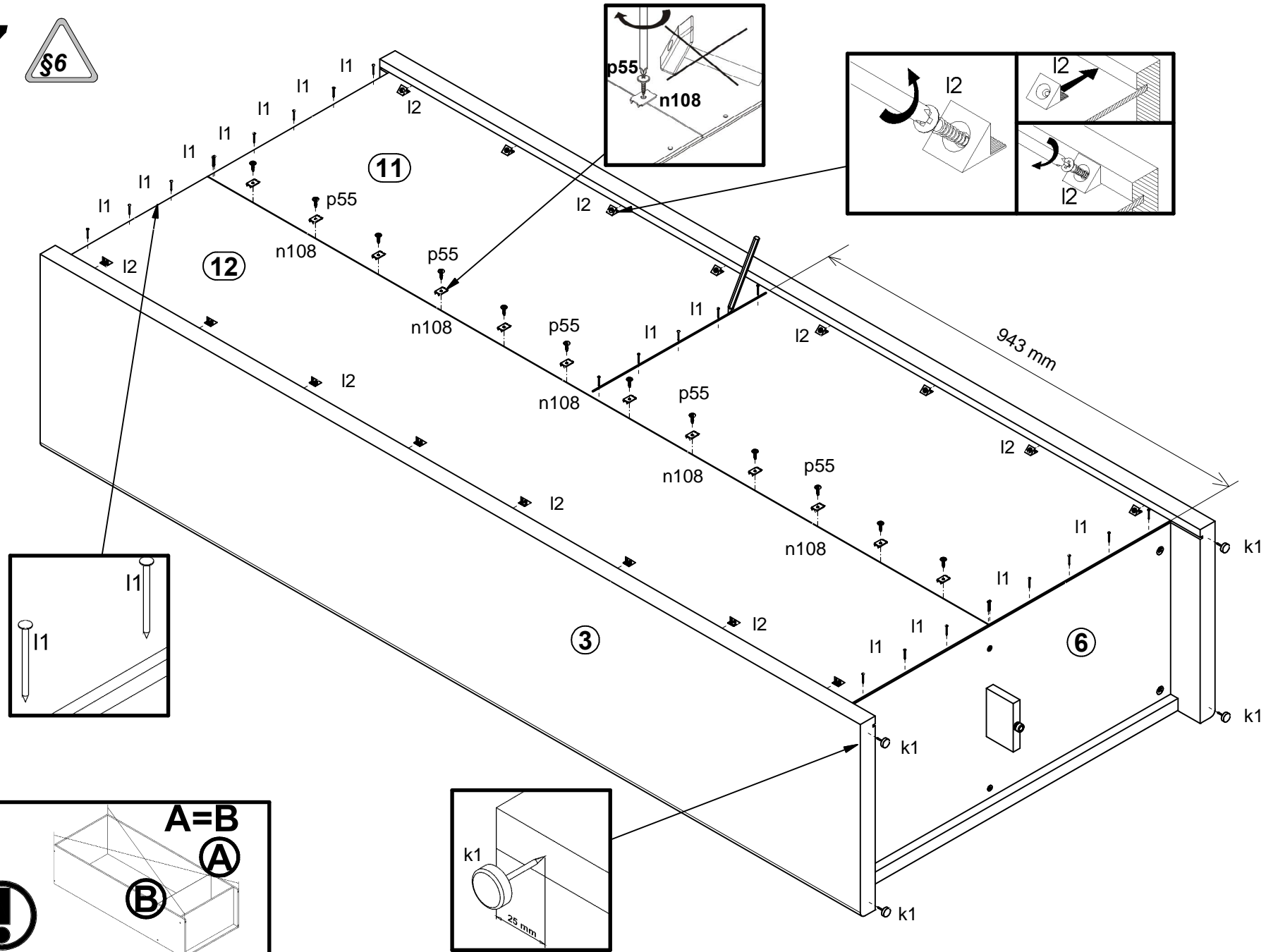
5



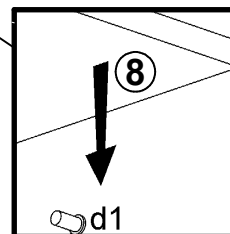
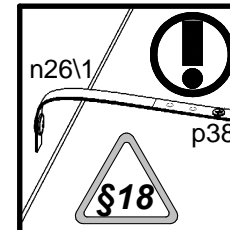
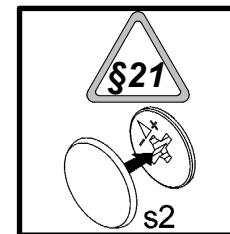
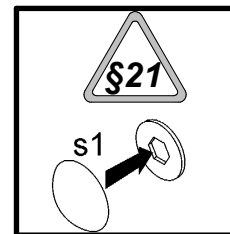
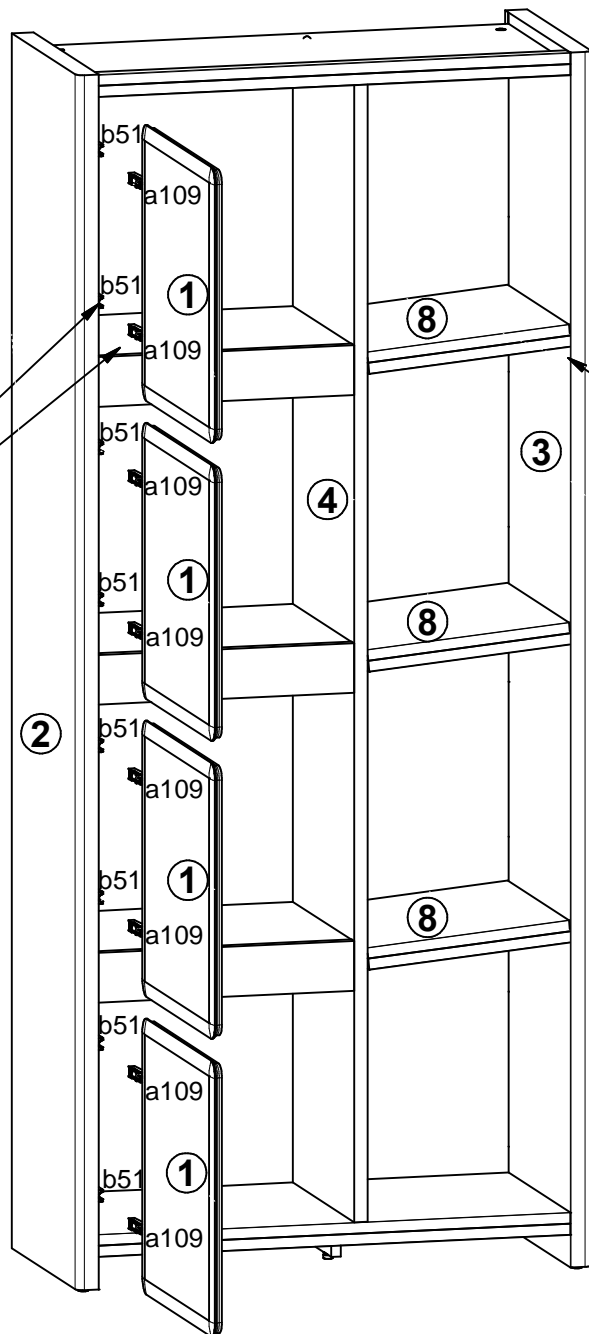
6



7 



8 §6



§10

