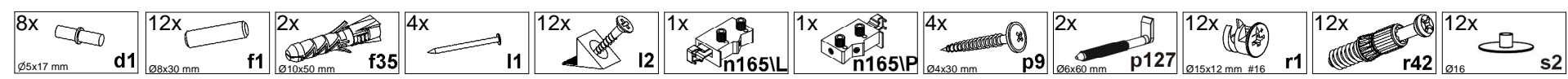
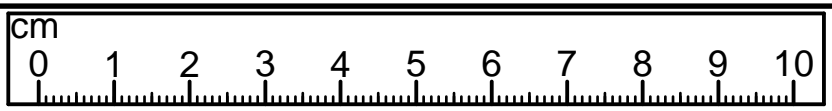
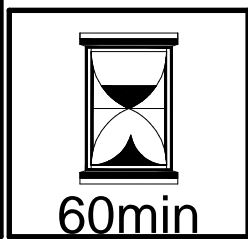
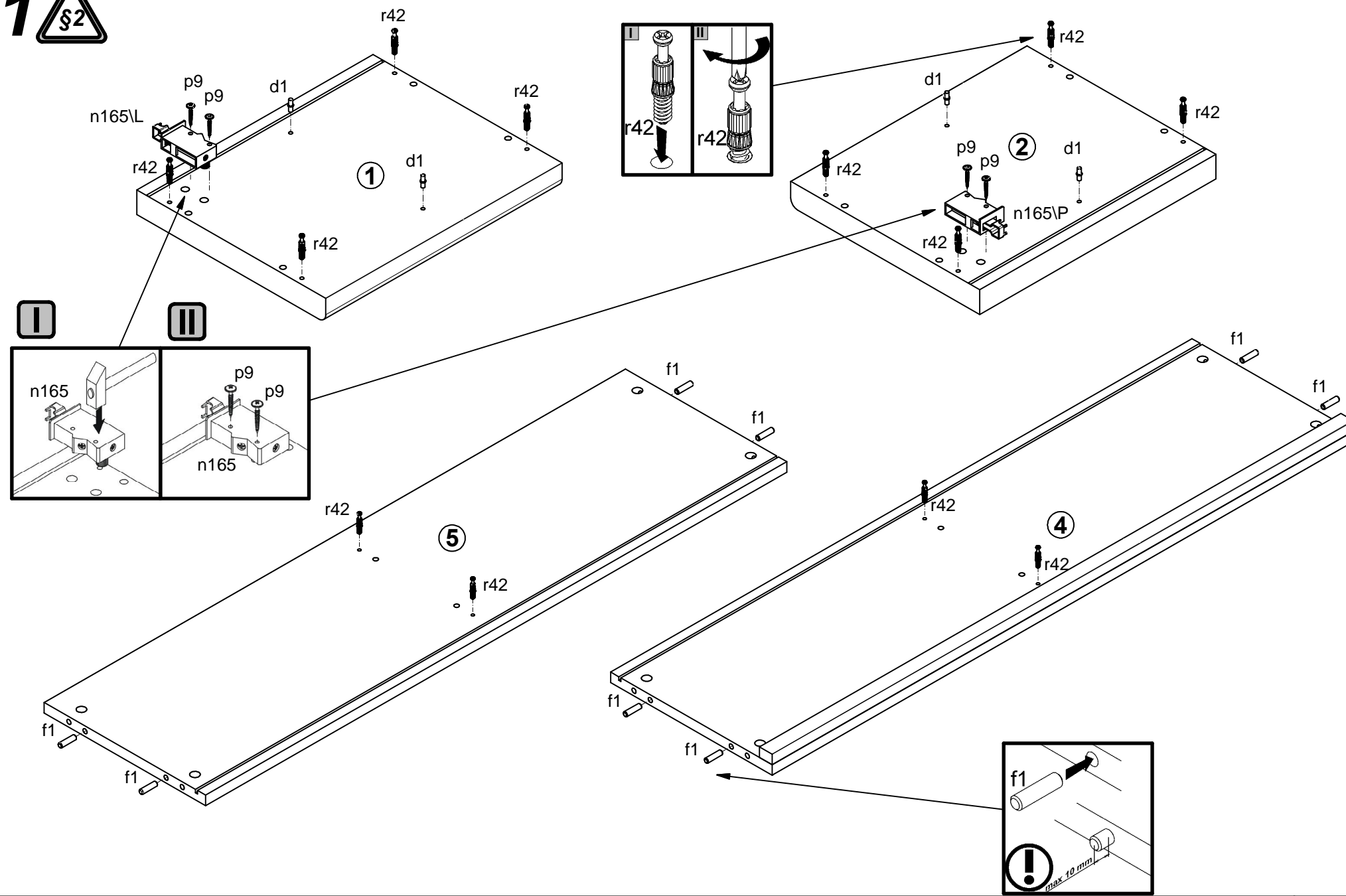


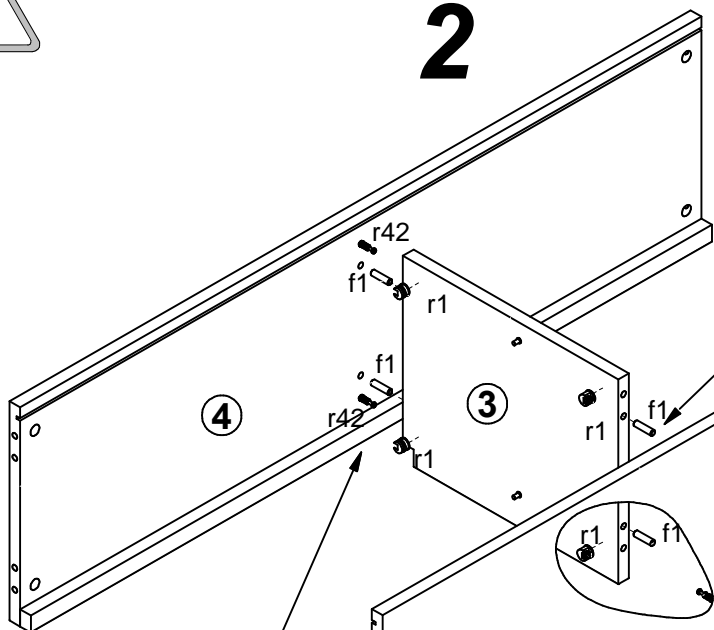
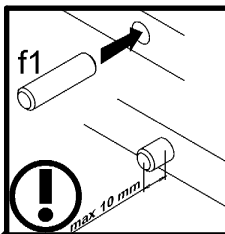
A	B	C (mm)		D
1	S221-129	400	320	1/1
2	S221-130	400	320	1/1
3	S221-131	363	298	1/1
4	S221-335	1148	319	1/1
5	S221-336	1148	319	1/1
6	S221-337	565	297	1/1
7	S221-907	1158	373	1/1





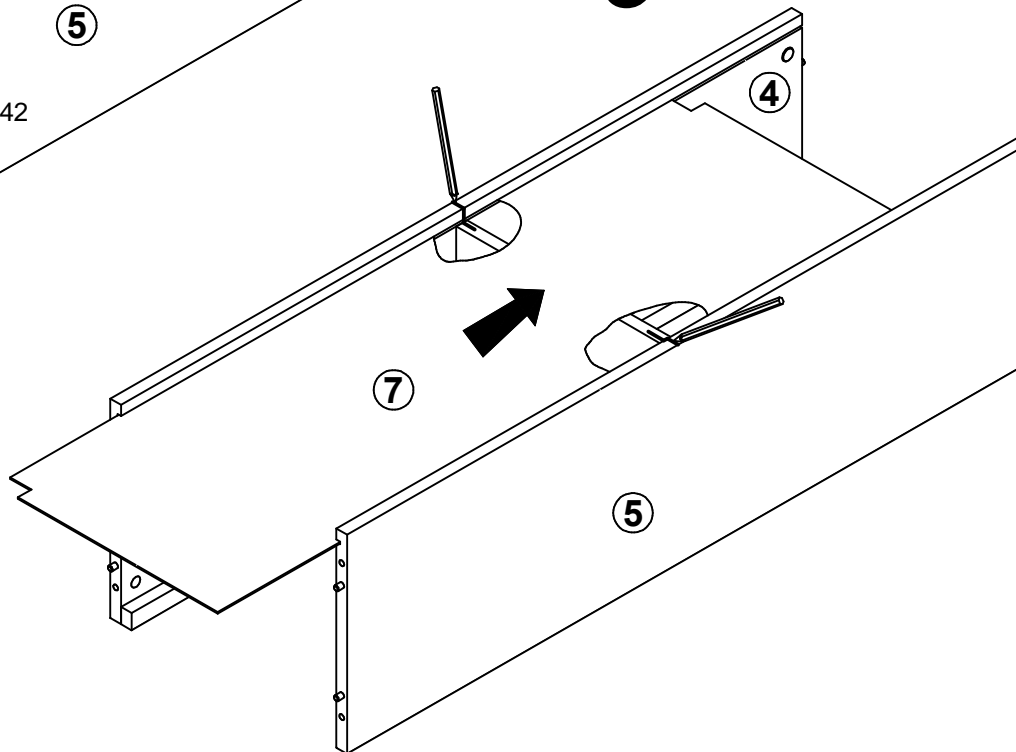
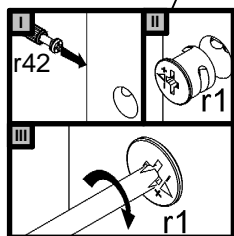
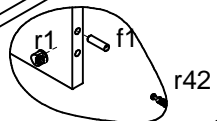


2



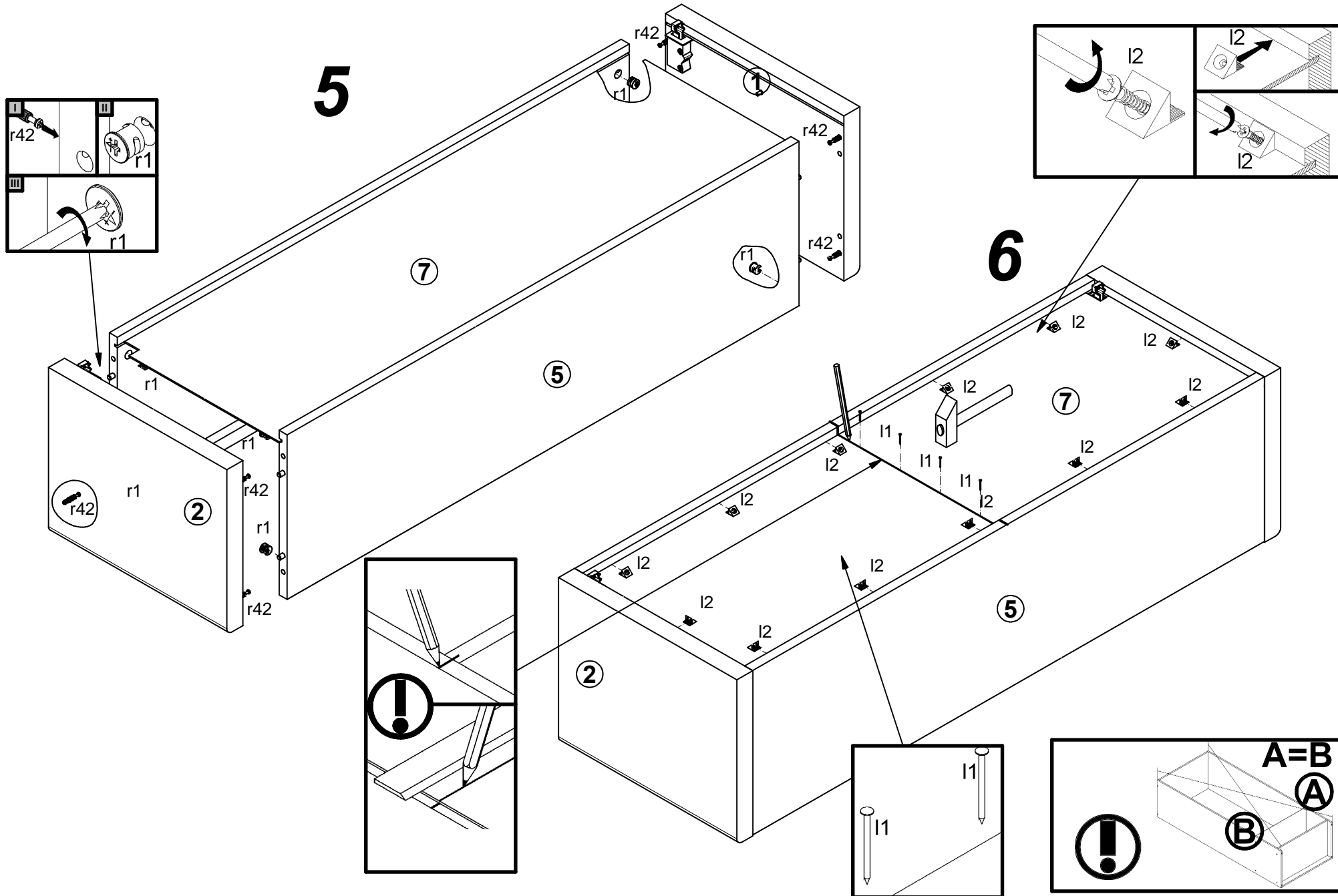
5

3



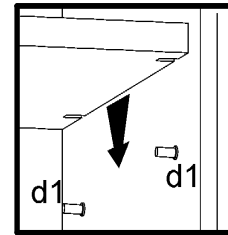
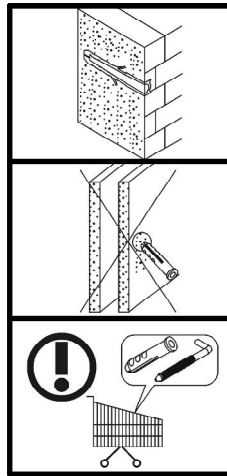
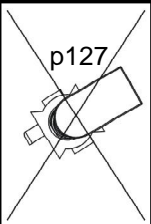
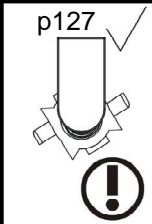
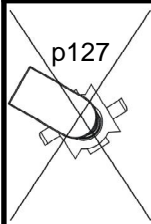
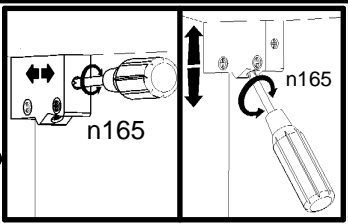
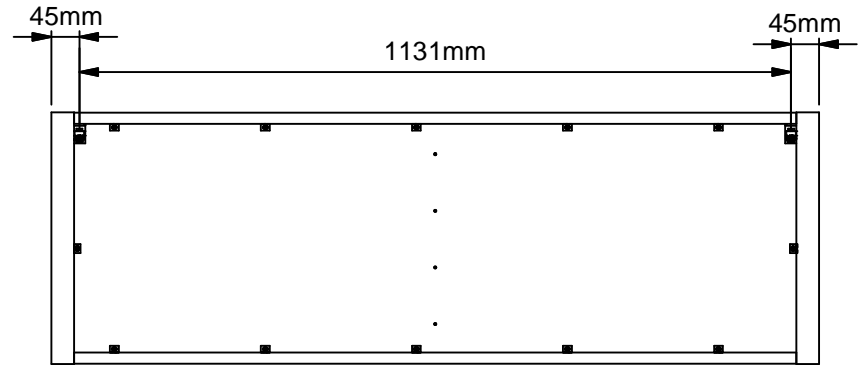
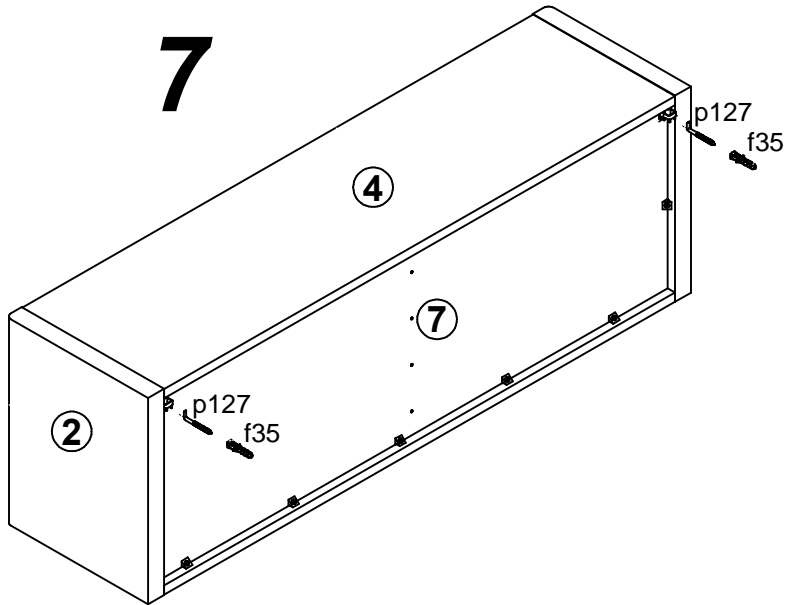
7

5





7



8

