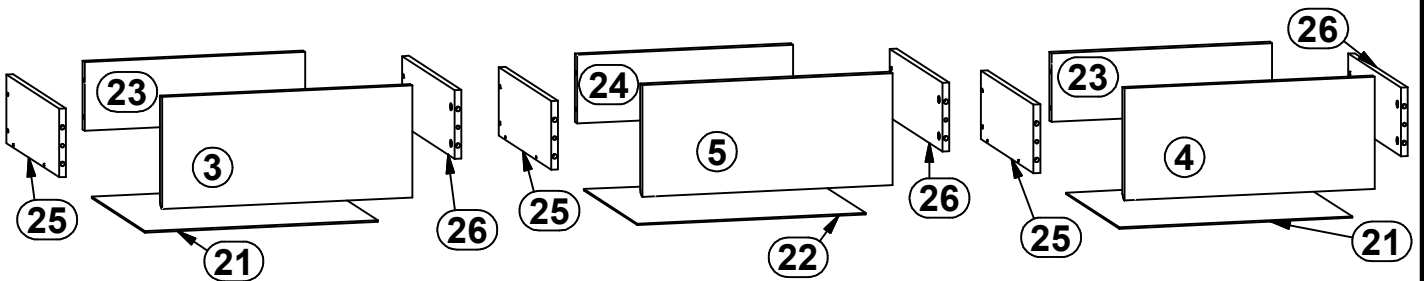
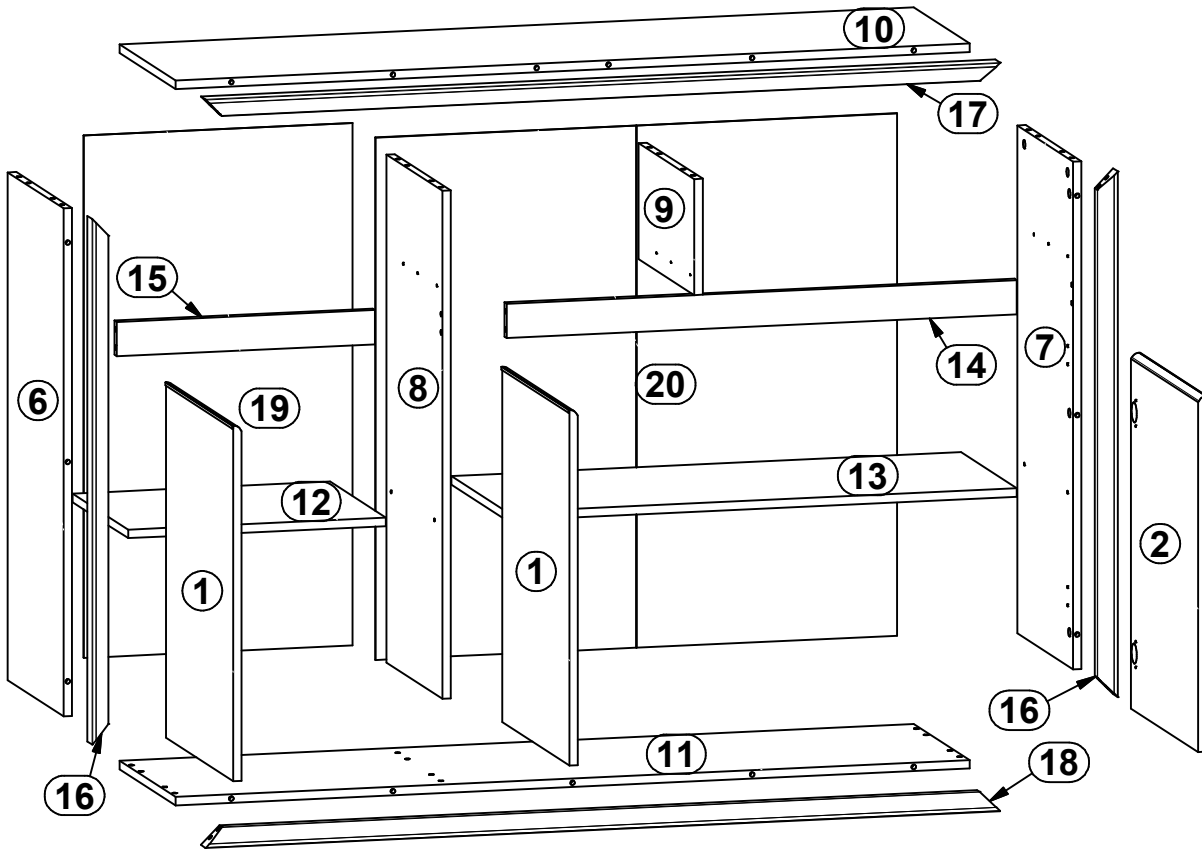
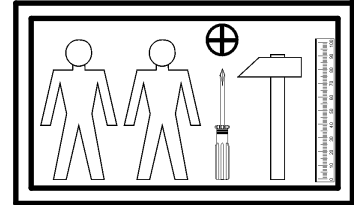
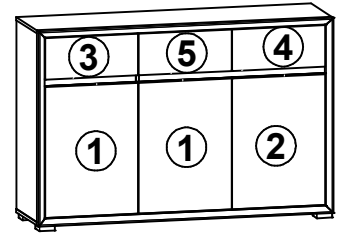


RABESCA

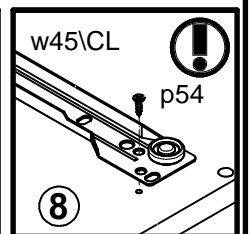
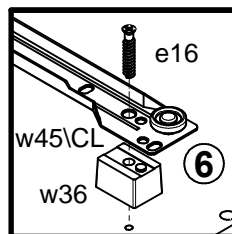
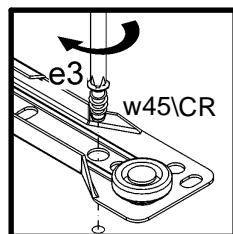
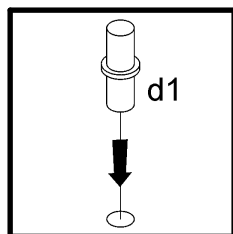
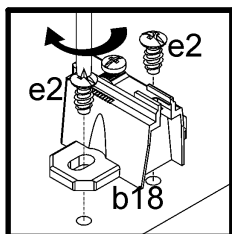
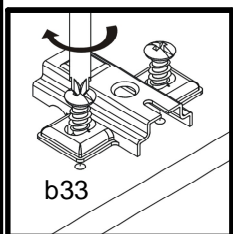
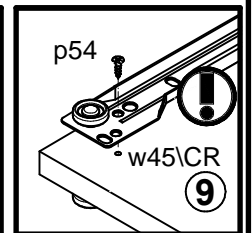
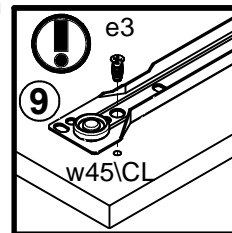
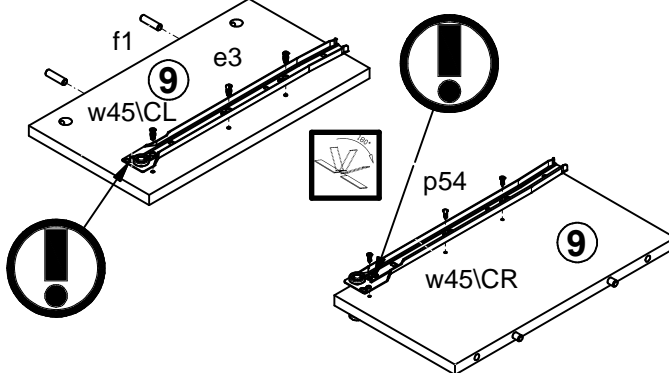
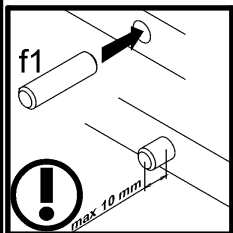
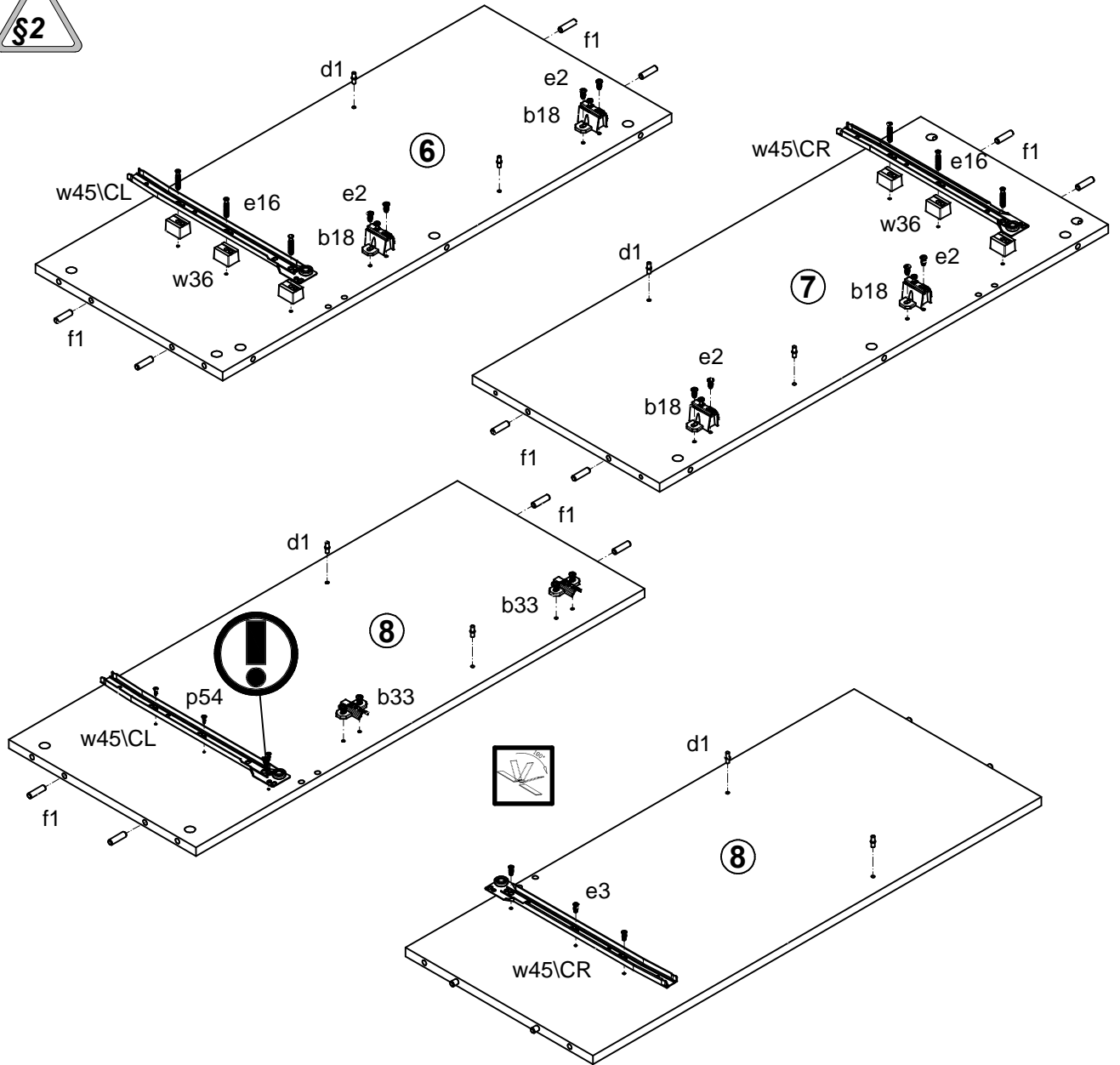
S304-KOM3D3S

A	B	C	D	A	B	C	D		
1	S304-008	446	622	4/5	14	S304-403	909	60	1/5
2	S304-009	446	622	4/5	15	S304-404	460	60	1/5
3	S304-010	446	196	5/5	16	S304-505	920	33	3/5
4	S304-011	446	196	5/5	17	S304-506	1416	33	3/5
5	S304-012	446	196	5/5	18	S304-524	1416	33	3/5
6	S304-107	889	371	1/5	19	S304-906	914	479	1/5
7	S304-108	889	371	1/5	20	S304-907	914	929	1/5
8	S304-109	889	371	1/5	21	S304-909	415	355	2/5
9	S304-110	203	371	1/5	22	S304-910	407	355	2/5
10	S304-205	1415	371	2/5	23	ZS3-5533	393	120	2/5
11	S304-206	1415	371	2/5	24	ZS3-5571	385	120	2/5
12	S304-307	459	370	1/5	25	ZS4-501	350	120	2/5
13	S304-308	908	370	1/5	26	ZS4-502	350	120	2/5

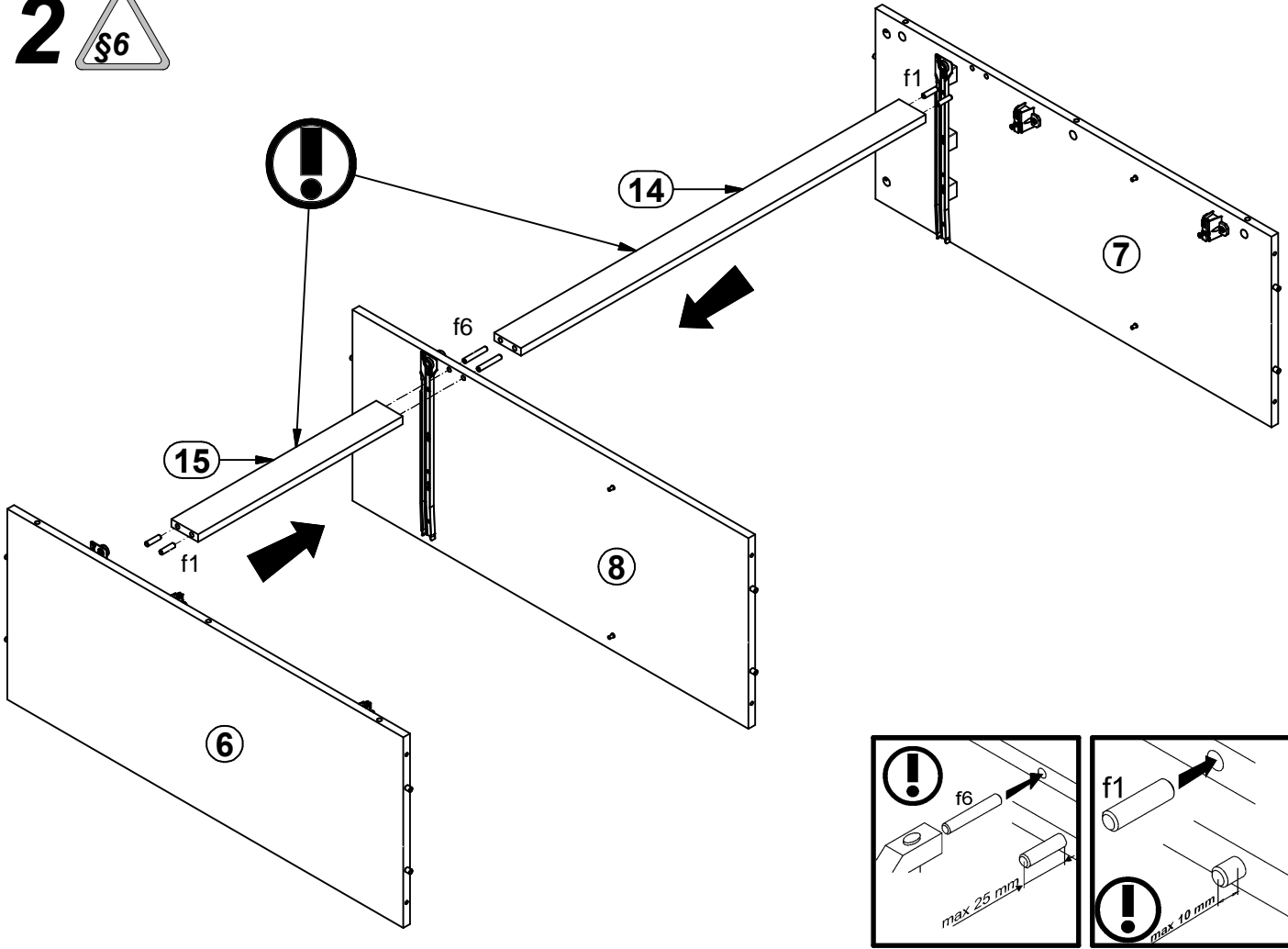


4x a43	2x a68	4x b18	2x b33	8x Ø5x17 mm d1	6x Ø7x50 mm e1	8x Ø6.3x13 mm e2	16x Ø6x13 mm e3	6x Ø6x30 mm e16
12x Ø5x9 mm e19	18x Ø8x30 mm f1	2x Ø8x50 mm f6	6x Ø6x30 mm f9	4x Ø8x20 mm f13	12x Ø6.5x40 mm f25	5x k82/1	5x k82/3	60x l1
9x Ø3.5x16 mm p38	12x Ø3.5x15 mm p51	6x Ø3x12 mm p54	25x Ø15x12 mm #16 r1	20x Ø12x10.5 mm #12 r15	37x r42	4x r51	6x Ø16 s2	6x H=18 mm w36
3x 350 mm w45 CL	3x 350 mm w45 CR	3x 350 mm w45 DL	3x 350 mm w45 DR	1x n26/1	1x Ø3.5x16 mm p38	1x z1		

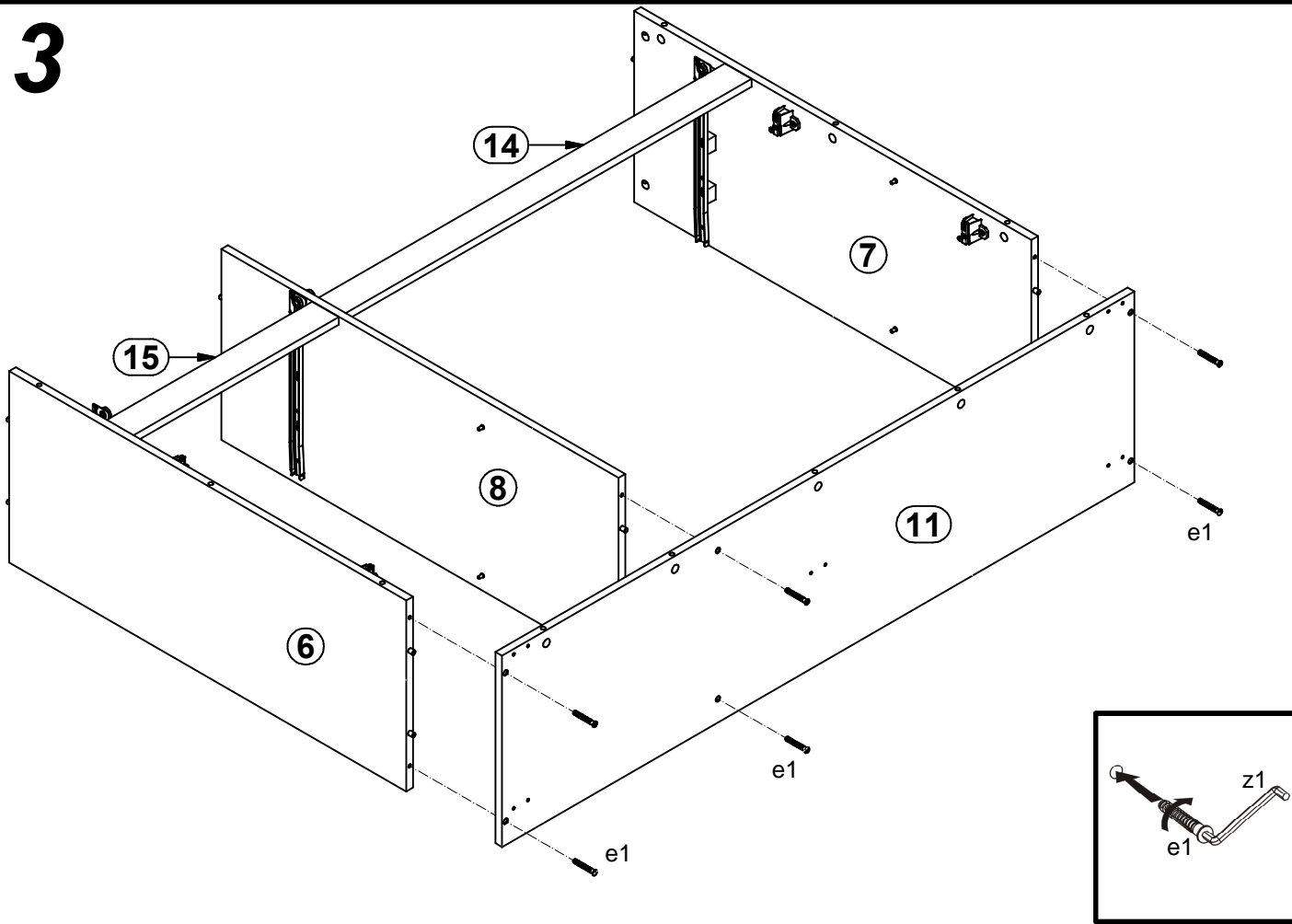
1 



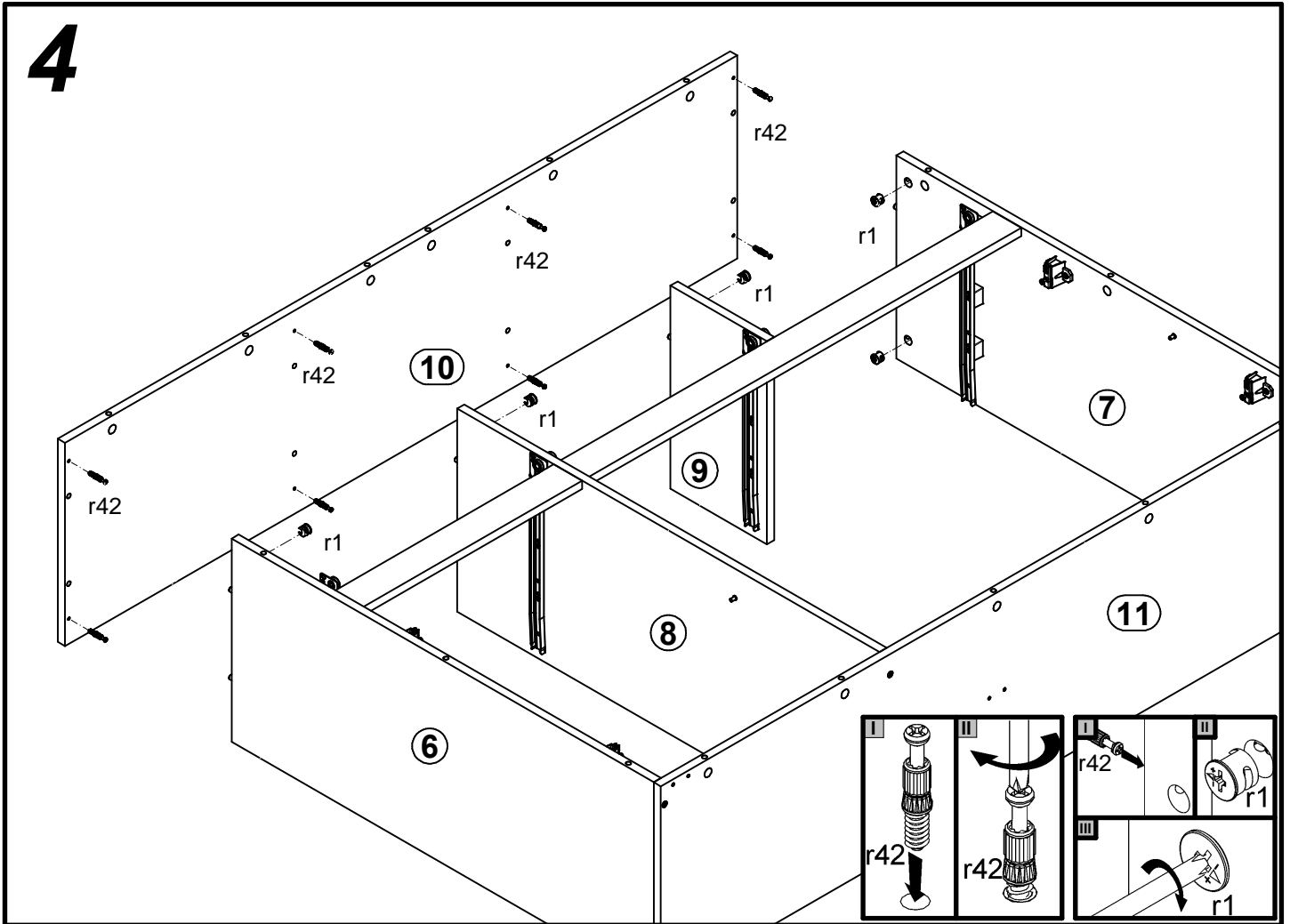
2



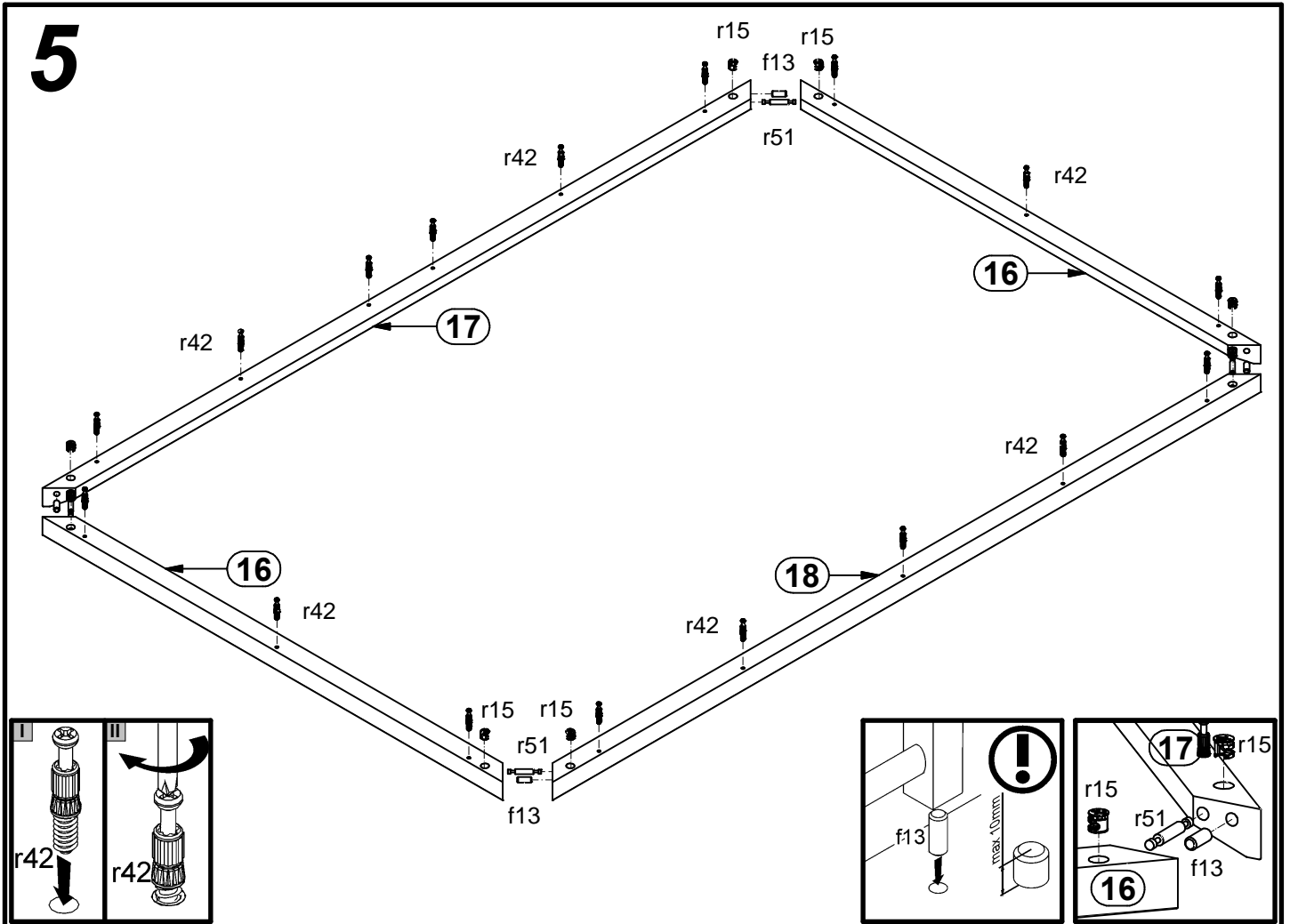
3



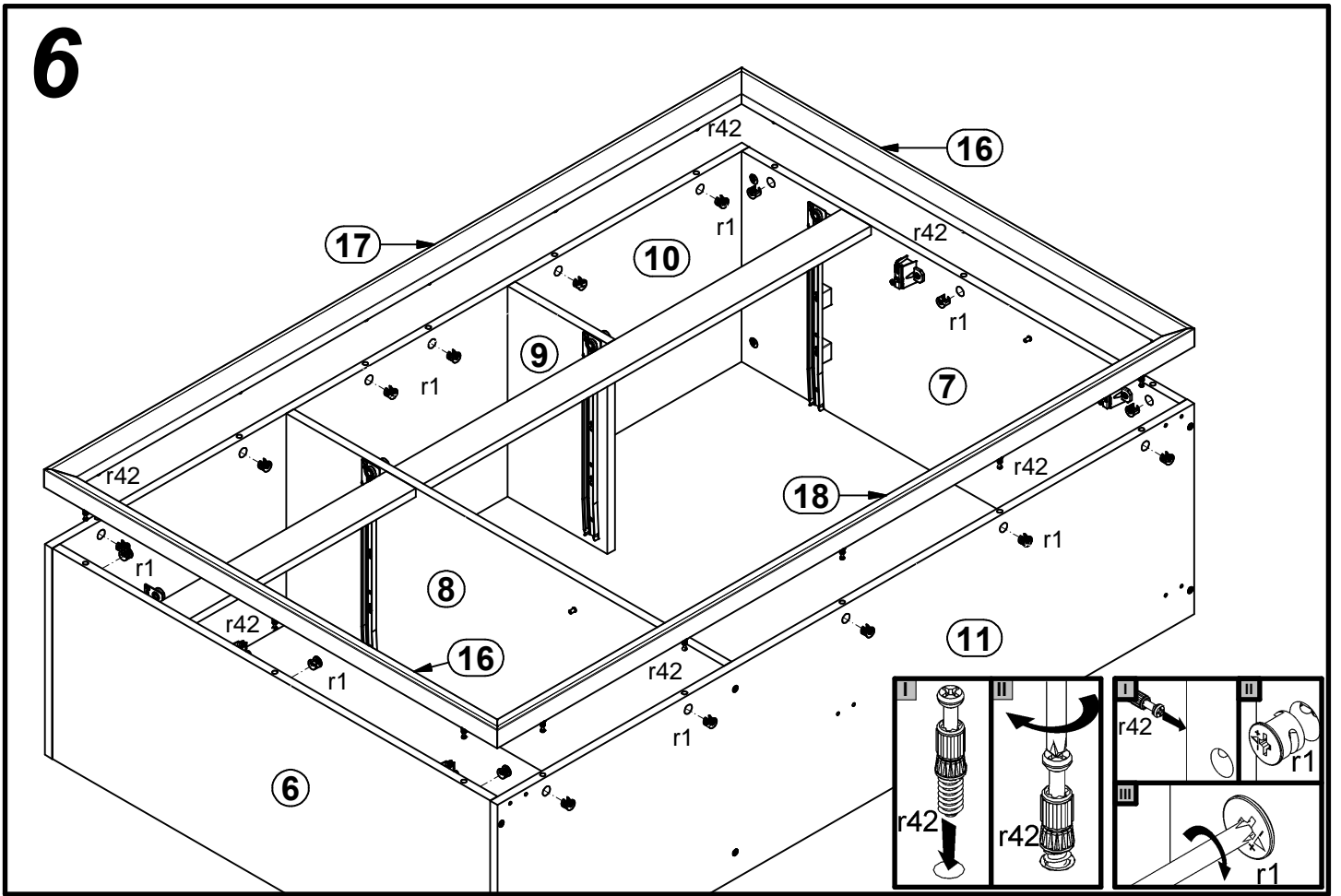
4



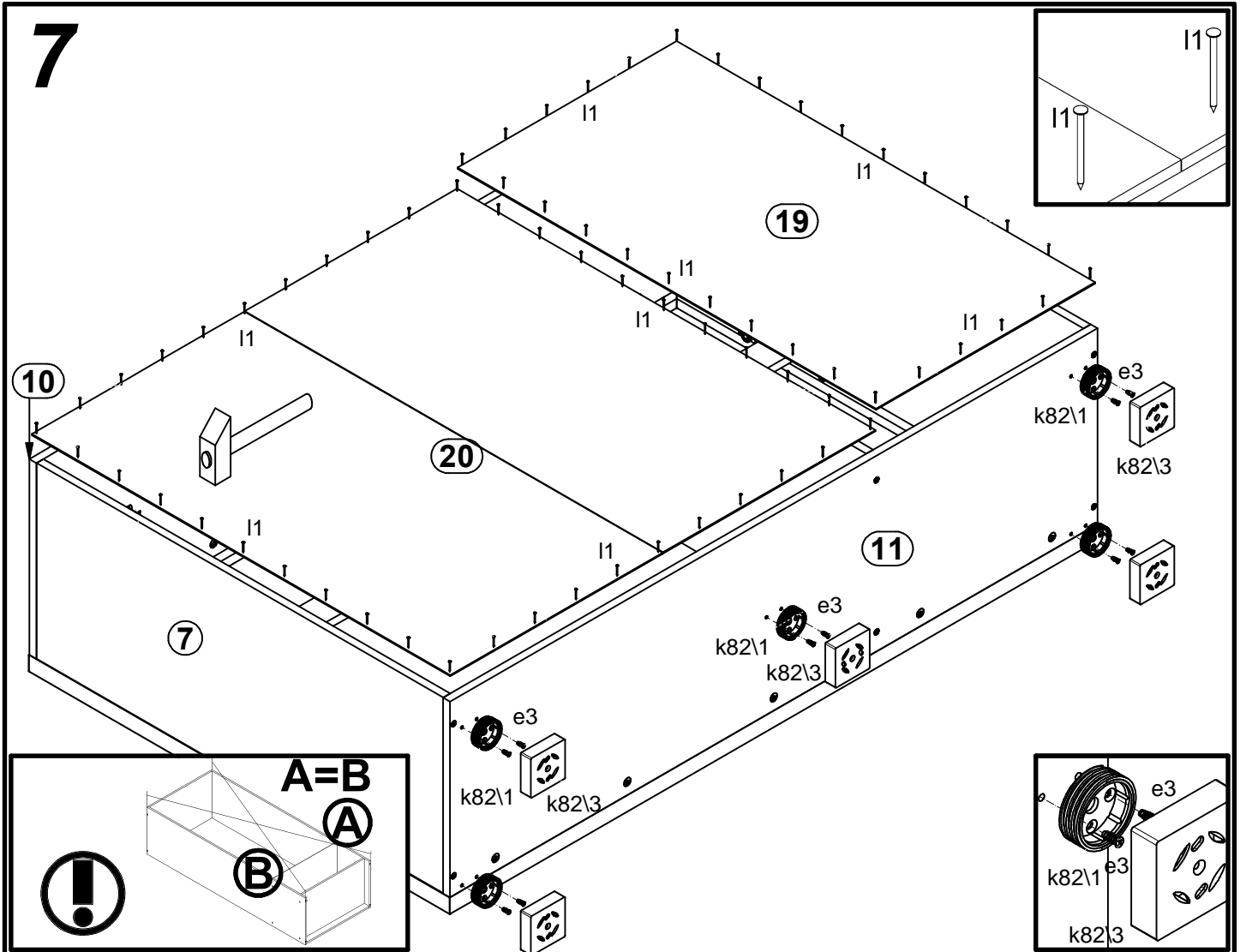
5



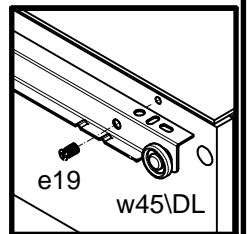
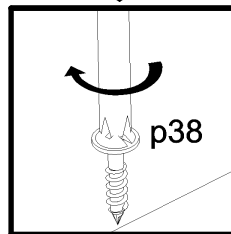
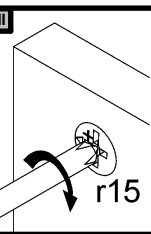
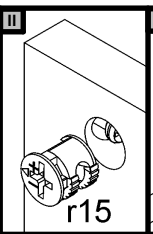
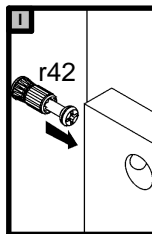
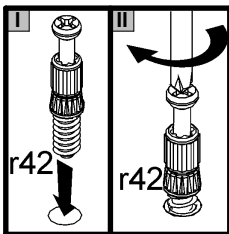
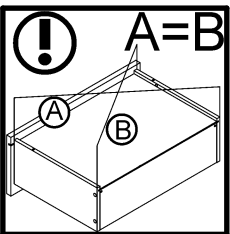
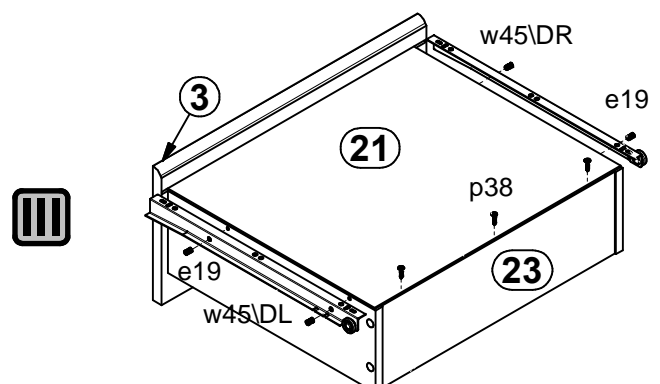
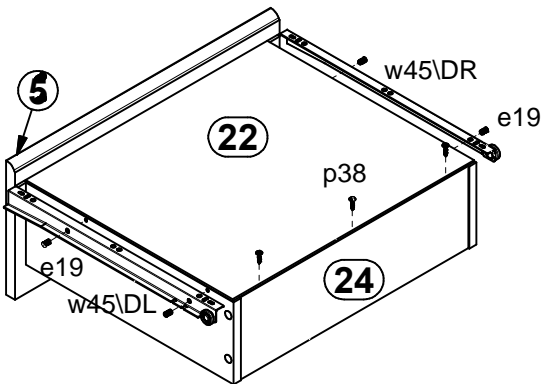
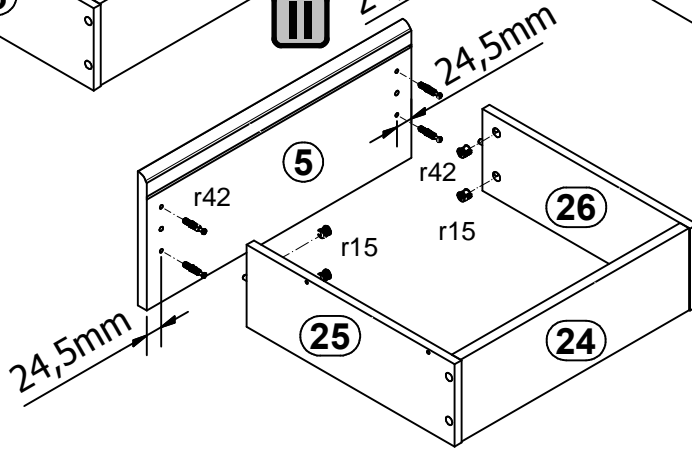
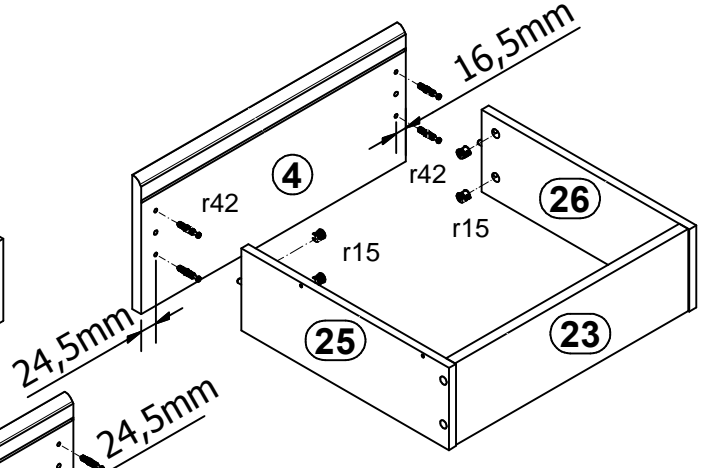
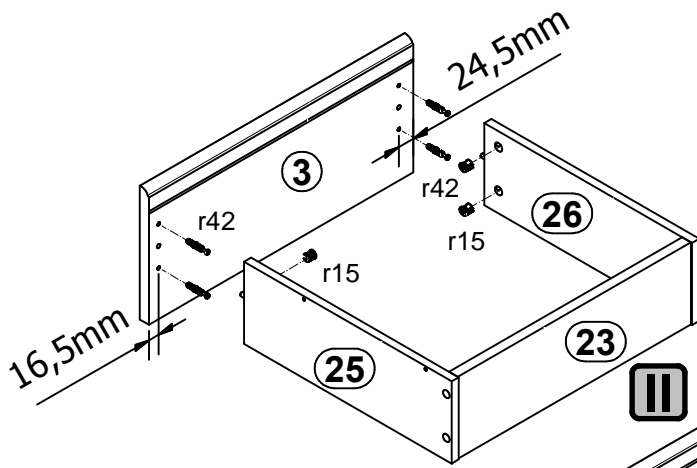
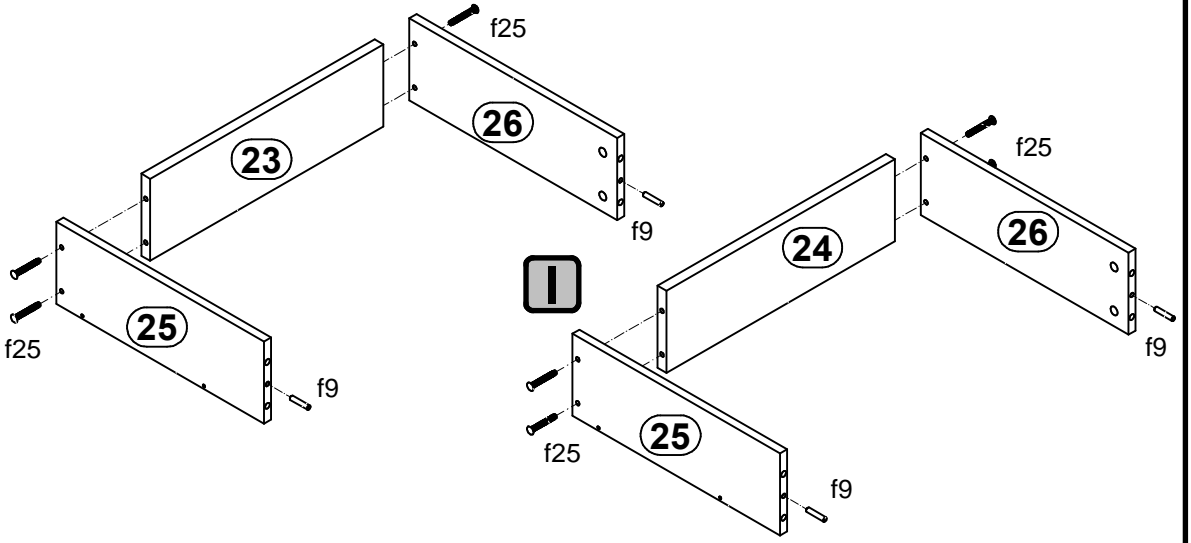
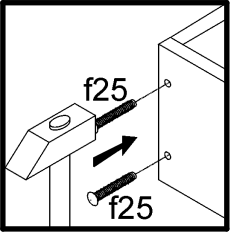
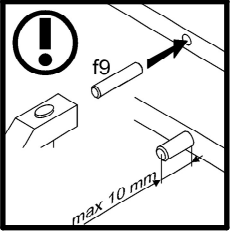
6



7



8



9

