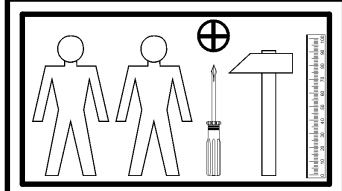
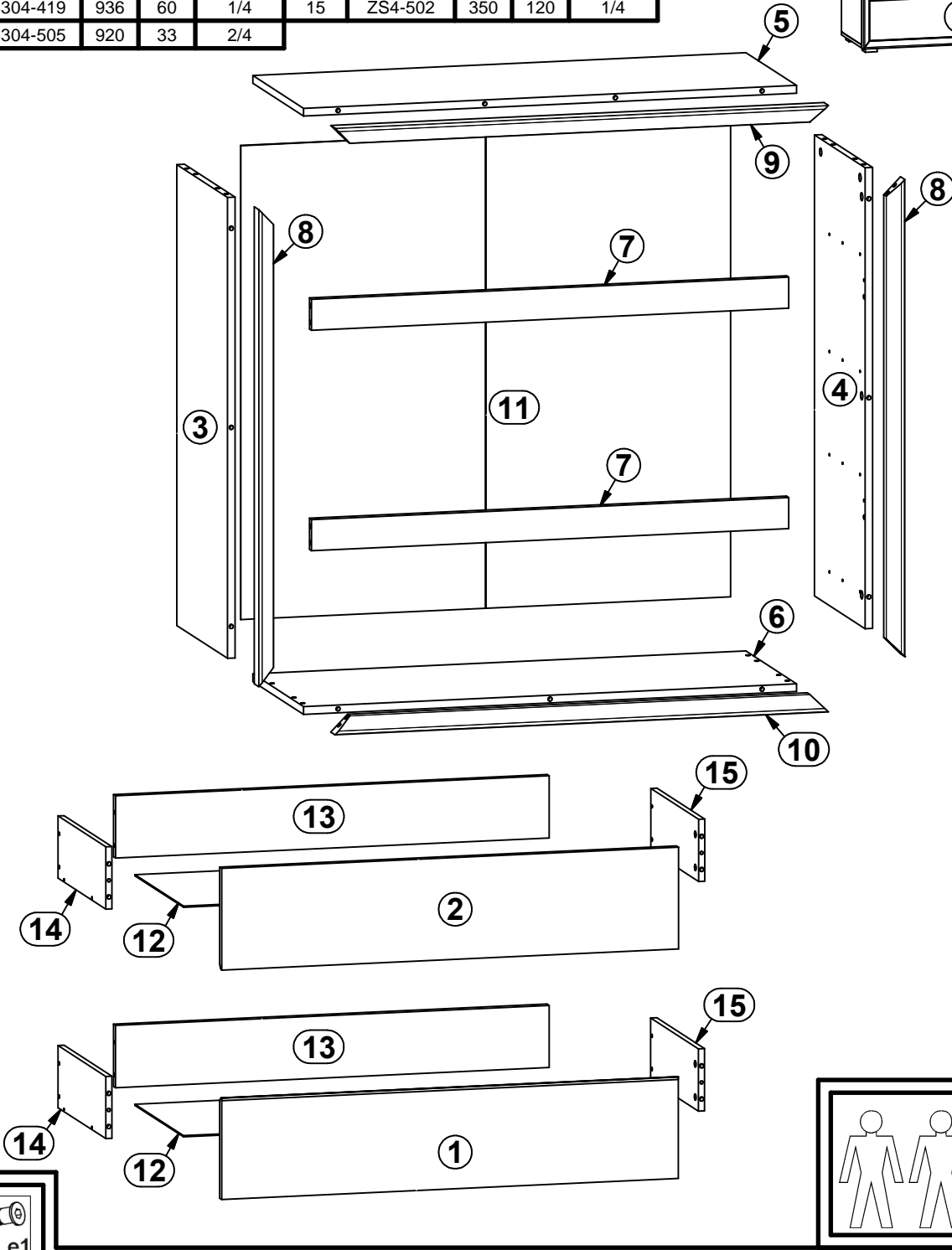
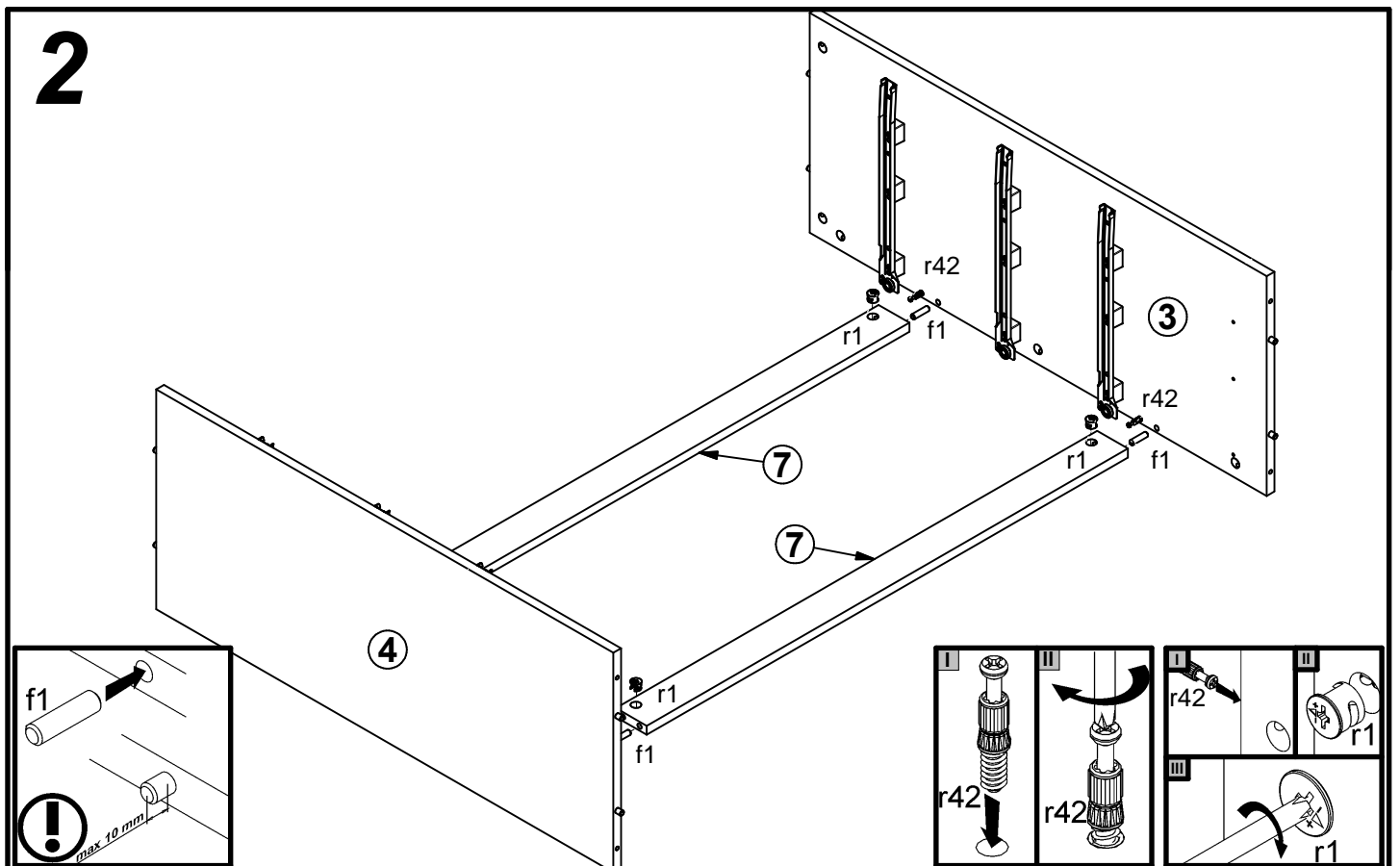
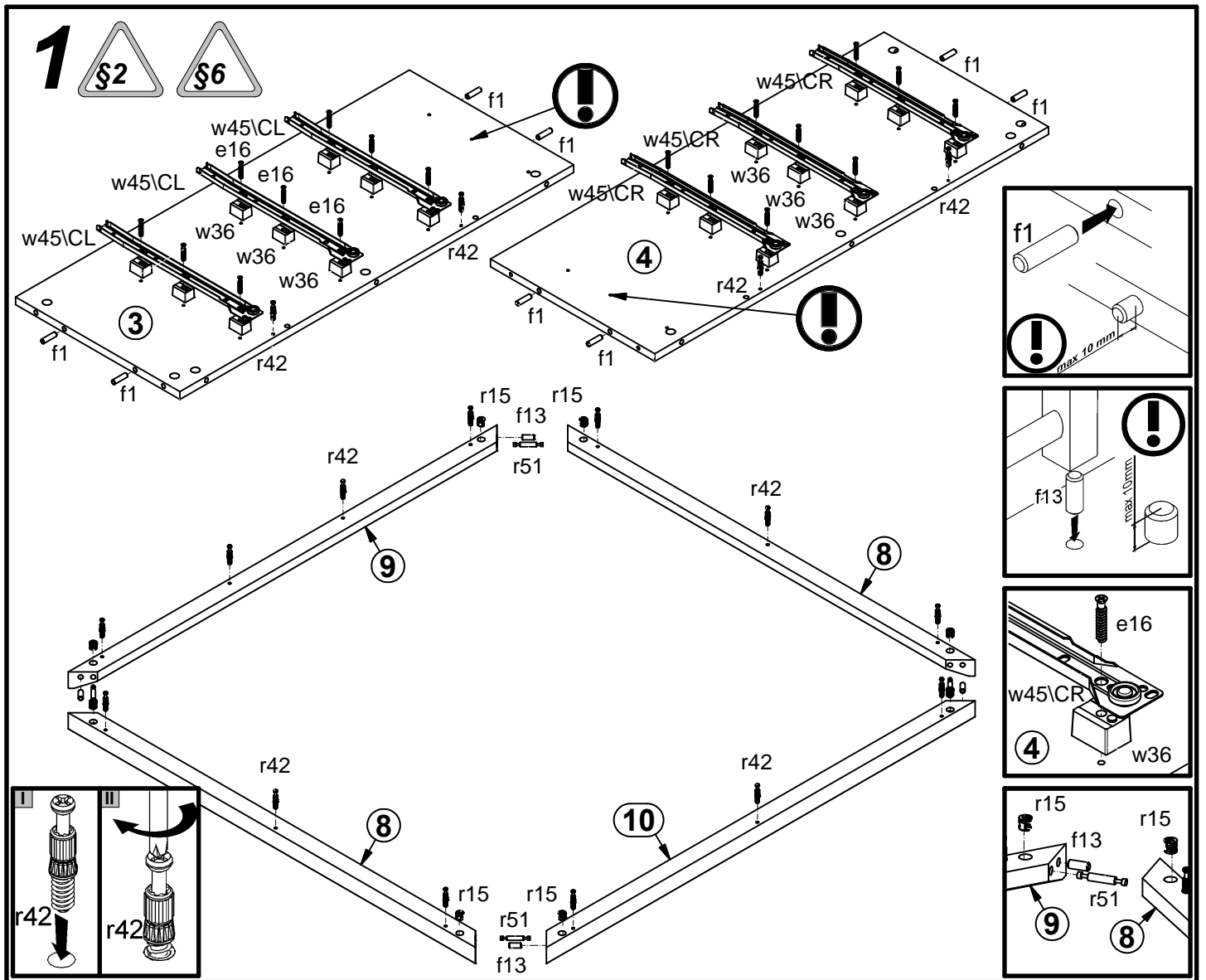
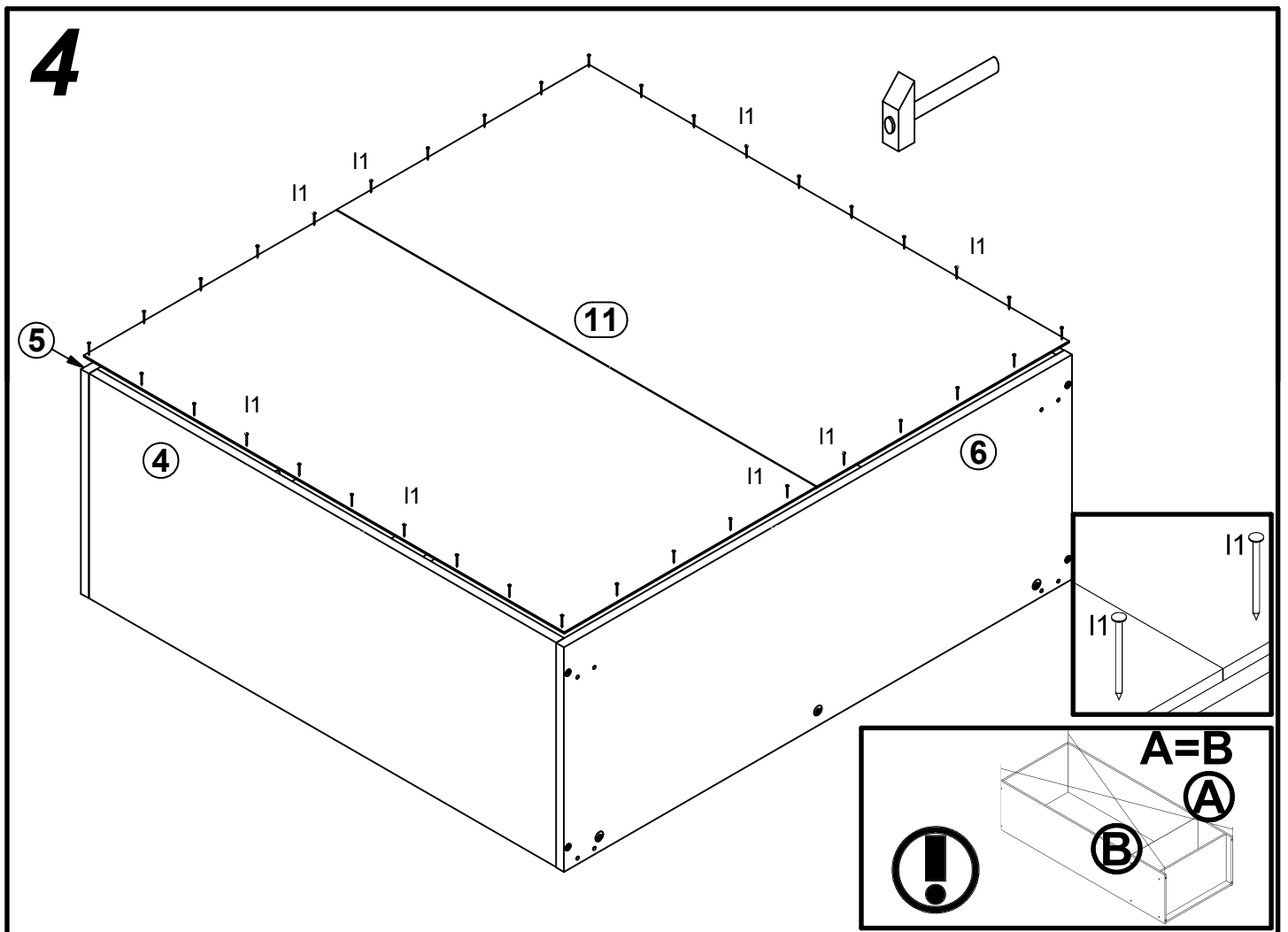
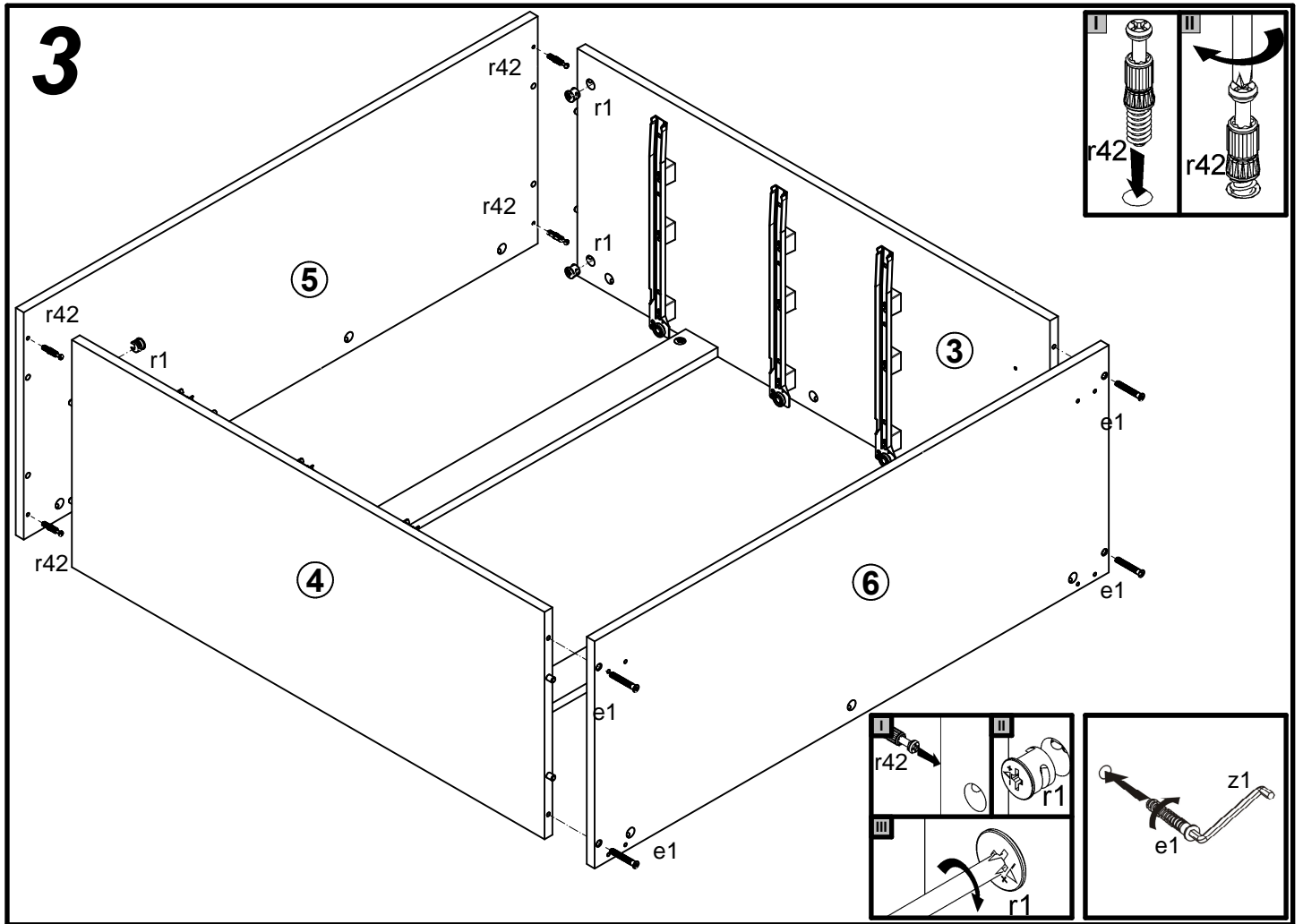


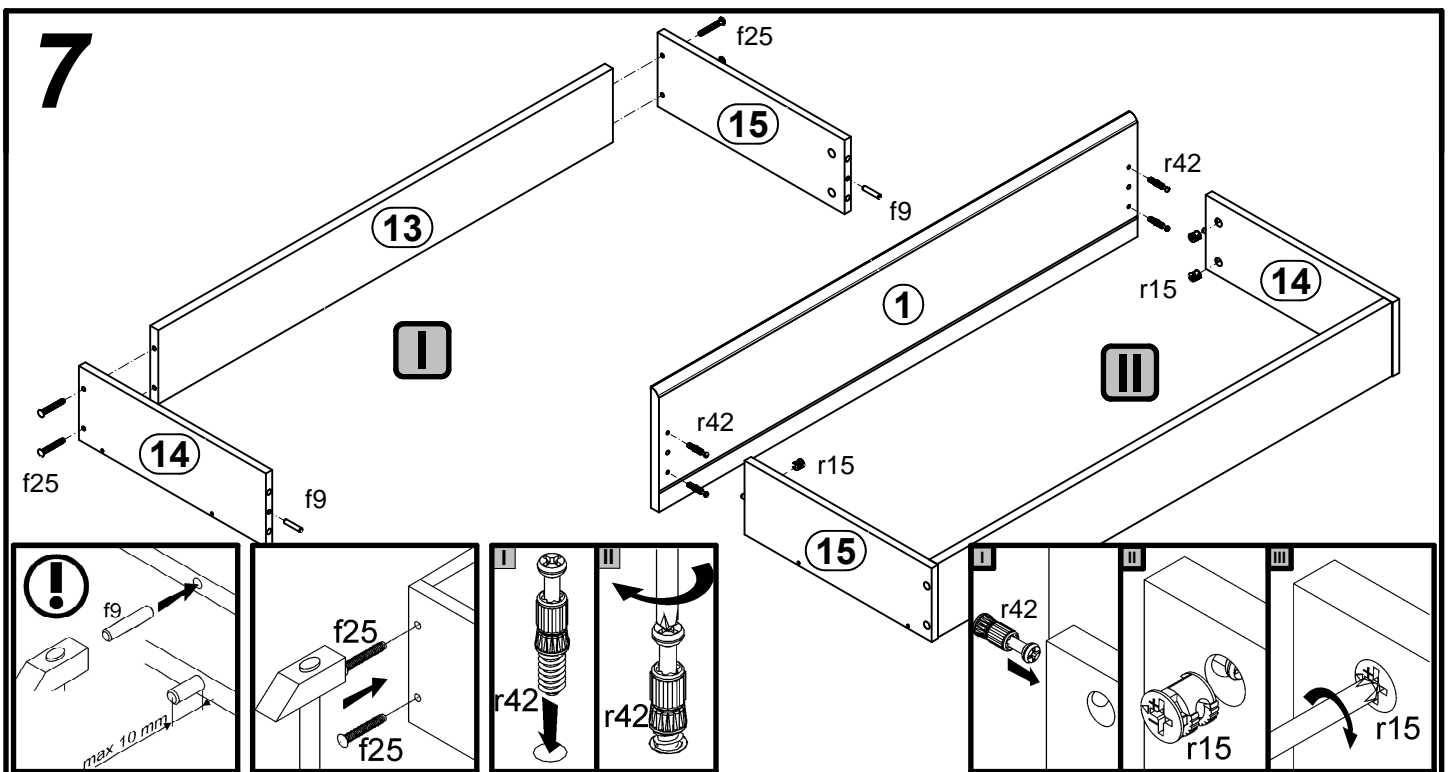
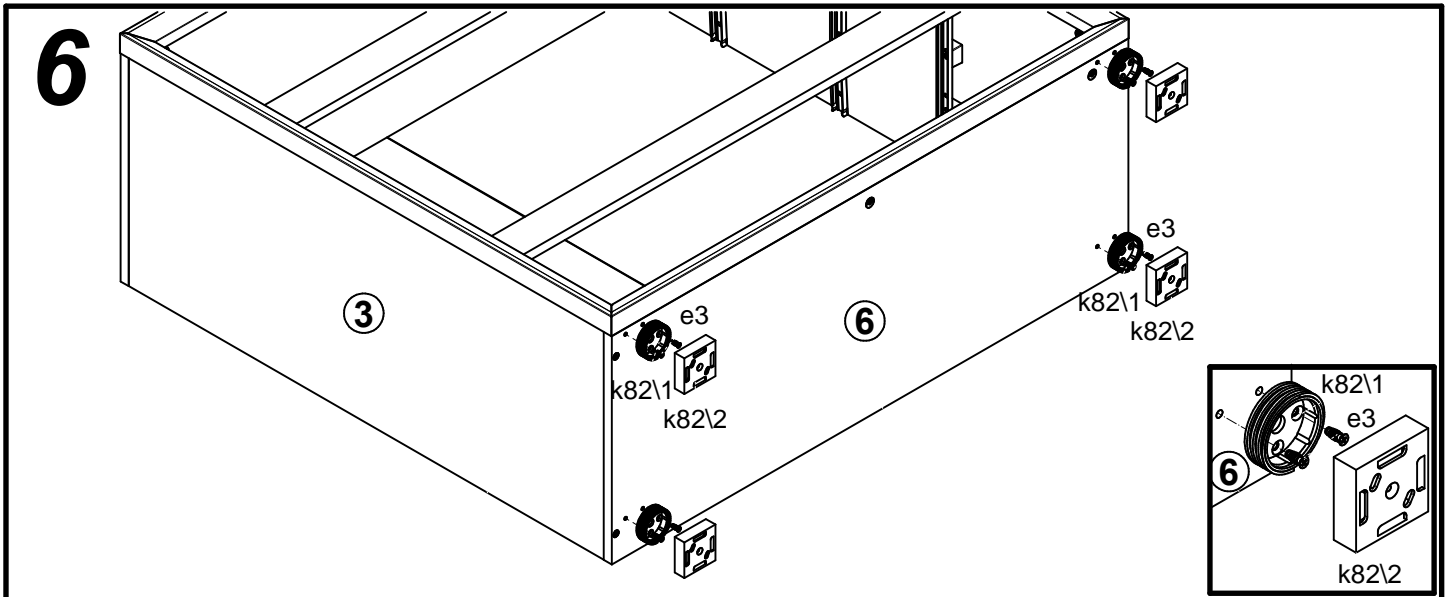
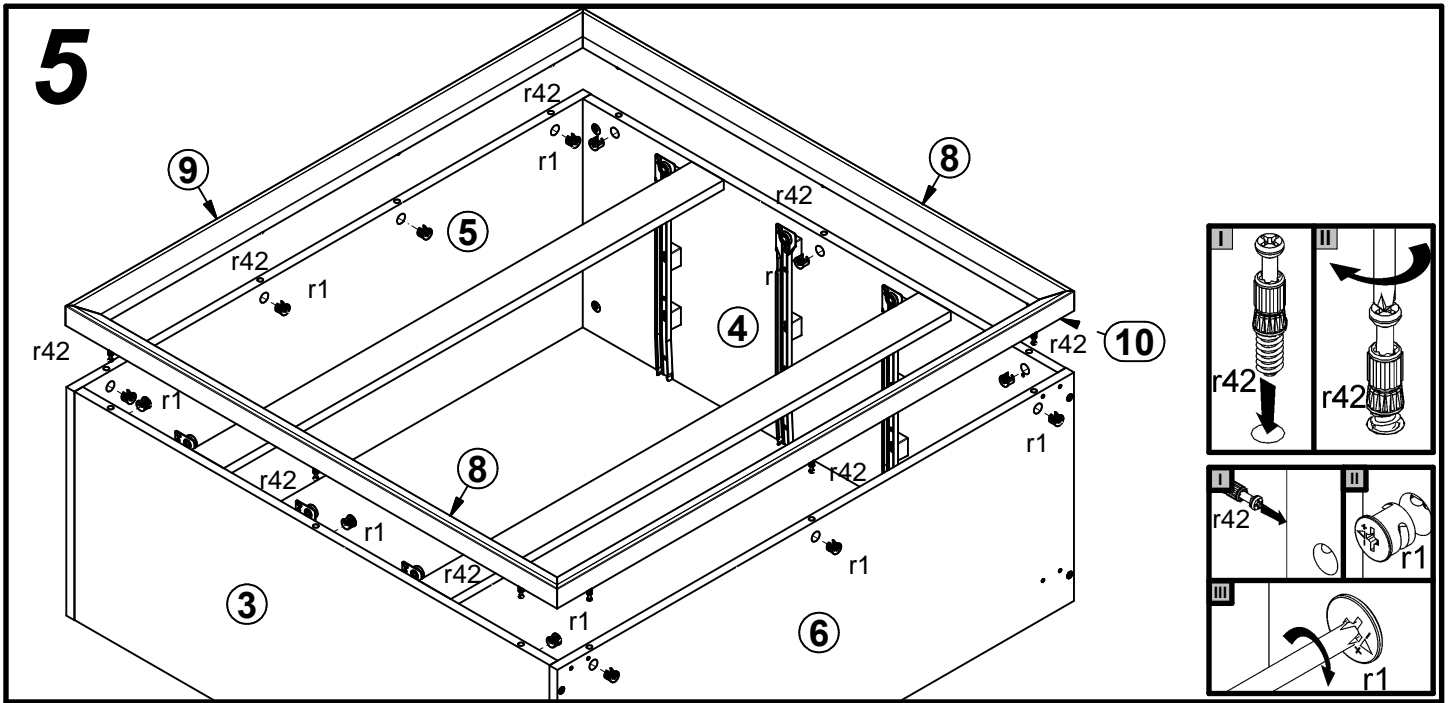
A	B	C	D	A	B	C	D		
1	S304-018	896	196	3/4	9	S304-511	968	33	2/4
2	S304-019	896	196	3/4,4/4	10	S304-521	968	33	2/4
3	S304-123	889	371	1/4	11	S304-916	914	961	1/4
4	S304-124	889	371	1/4	12	S304-917	873	355	1/4
5	S304-213	967	371	1/4	13	ZS3-5573	851	120	1/4
6	S304-214	967	371	1/4	14	ZS4-501	350	120	1/4
7	S304-419	936	60	1/4	15	ZS4-502	350	120	1/4
8	S304-505	920	33	2/4					

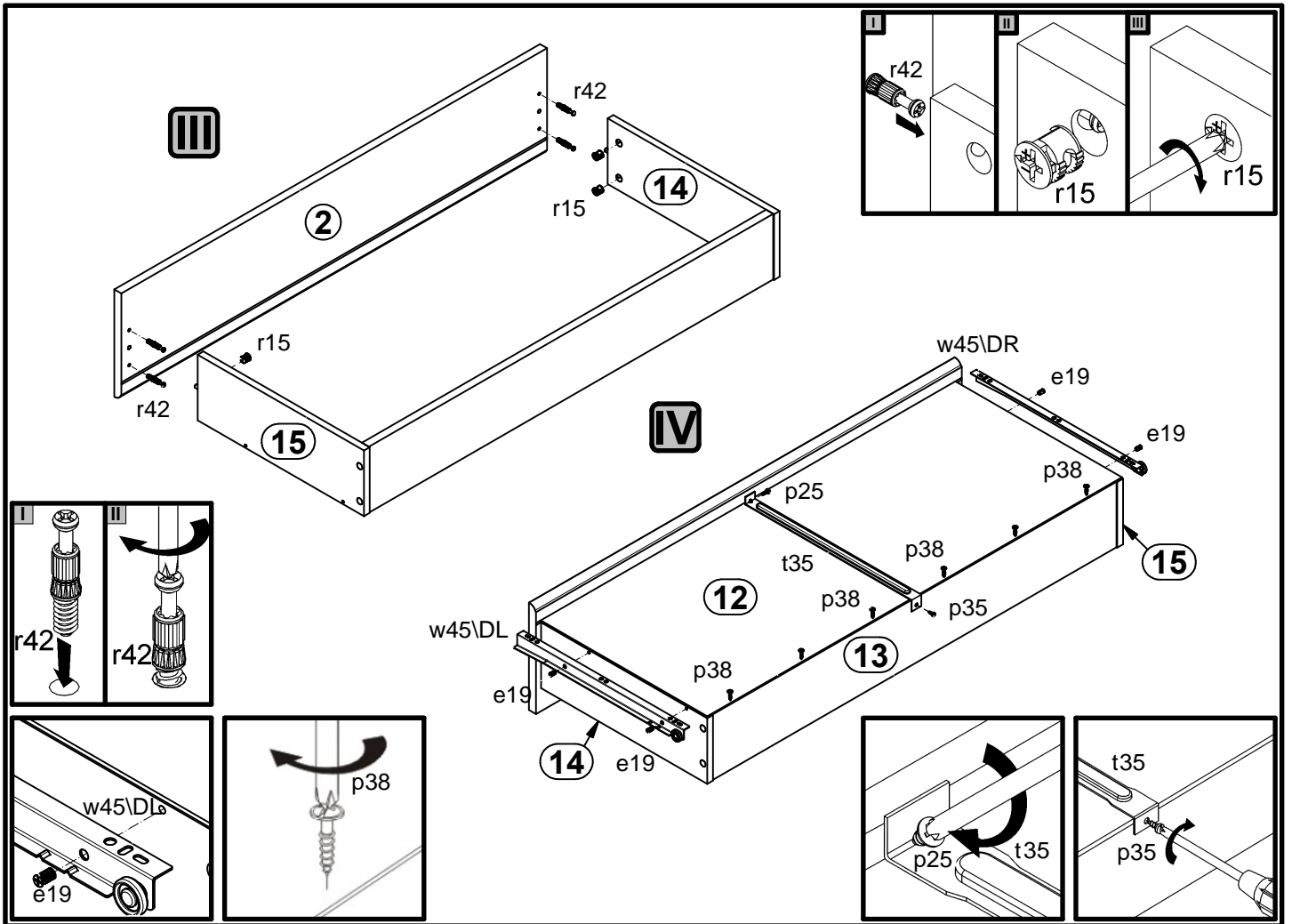


4x Ø7x50 mm e1	8x Ø6x13 mm e3	24x Ø6x30 mm e16	16x Ø5x9 mm e19	12x Ø8x30 mm f1	8x Ø6x30 mm f9	4x Ø8x20 mm f13	16x Ø6.5x40 mm f25	4x k82\1	4x k82\2
40x l1	4x Ø3.5x16 mm p25	4x Ø3.5x10 mm p35	24x Ø3.5x16 mm p38	21x Ø15x12 mm #16 r1	24x Ø12x10.5 mm #12 r15	37x r42	4x r51	6x Ø16 s2	
4x 350 mm t35	24x H=18 mm w36	4x 350 mm w45\CL	4x 350 mm w45\CR	4x 350 mm w45\DL	4x 350 mm w45\DR	1x n26\1	1x Ø3.5x16 mm p38	1x z1	









8

