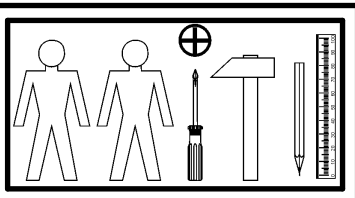
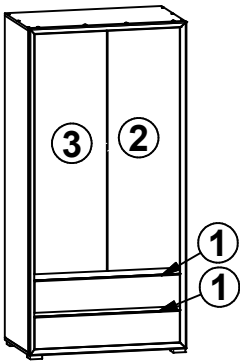
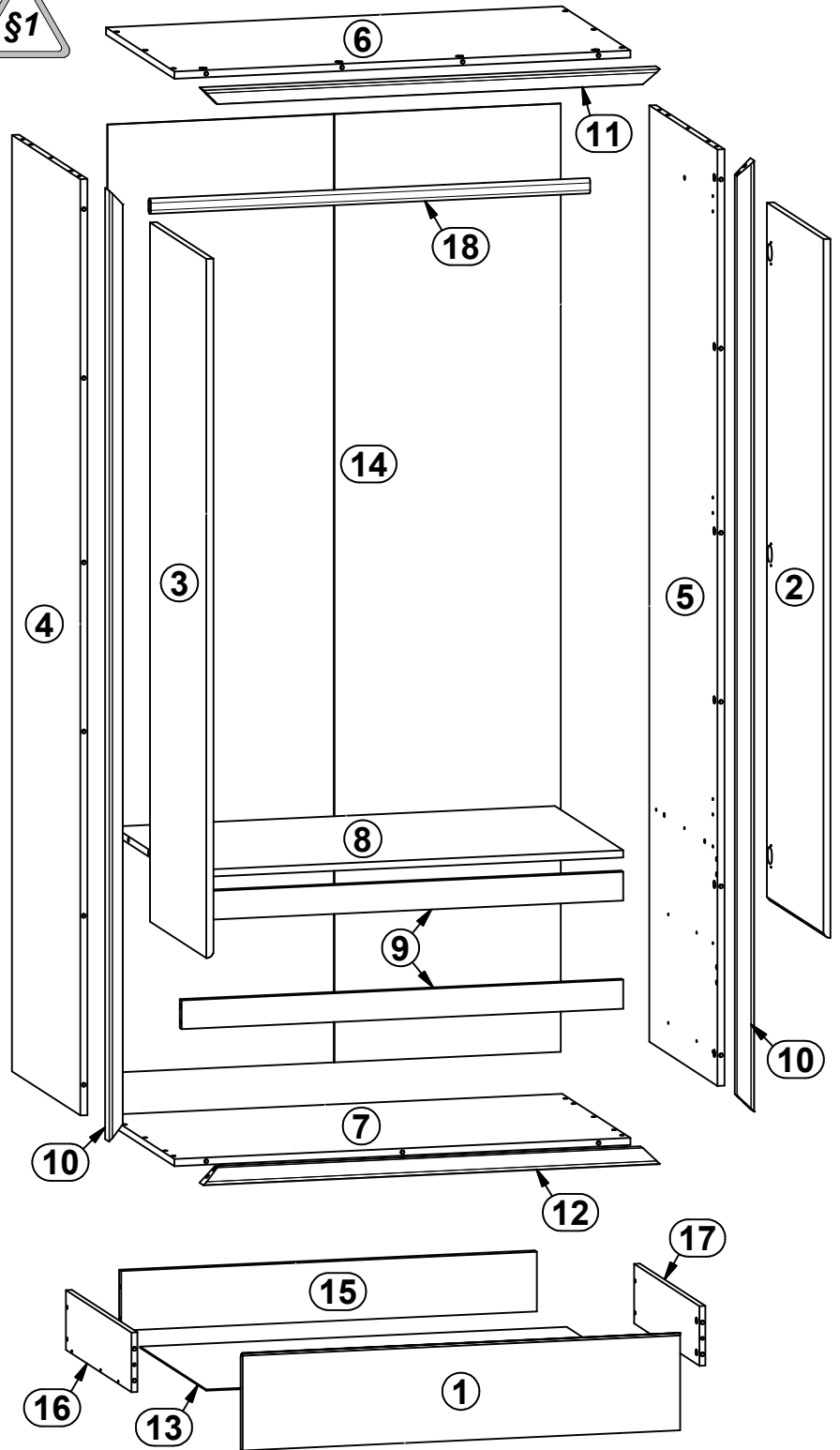


A

RABESCA

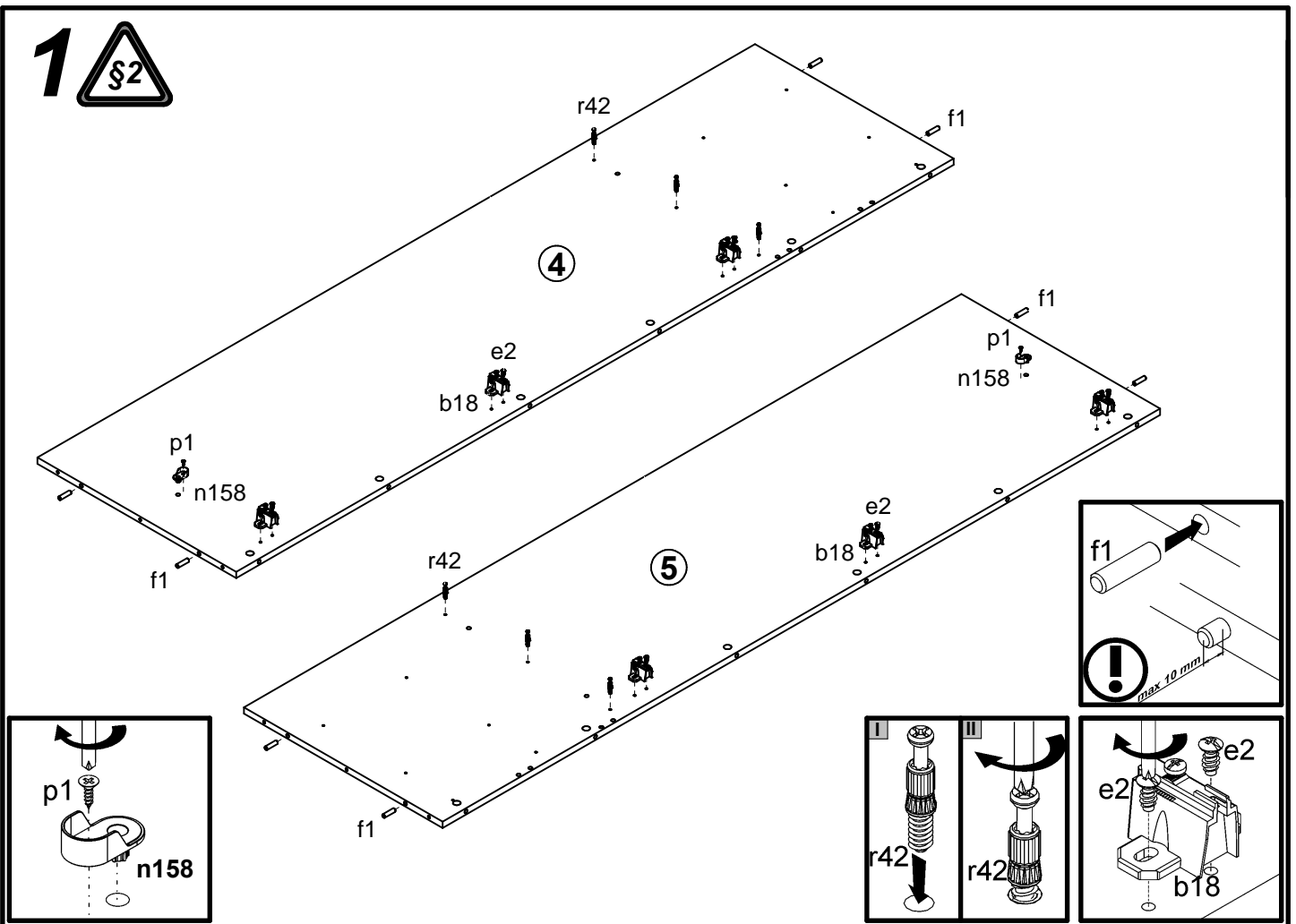
S304-SZF2D2S

A	B	C	D	
1	S304-018	896	196	5/6
2	S304-026	1456	446	6/6
3	S304-027	1456	446	6/6
4	S304-132	1950	540	1/6
5	S304-133	1950	540	1/6
6	S304-219	967	540	2/6
7	S304-220	967	540	2/6
8	S304-317	936	540	2/6
9	S304-410	936	60	2/6
10	S304-501	1981	33	3/6
11	S304-511	968	33	3/6
12	S304-521	968	33	3/6
13	S304-921	873	505	1/6
14	S304-922	1975	961	1/6
15	ZS3-5573	851	120	2/6
16	ZS4-505	500	120	2/6
17	ZS4-506	500	120	2/6
18	dr-932	932	30	2/6

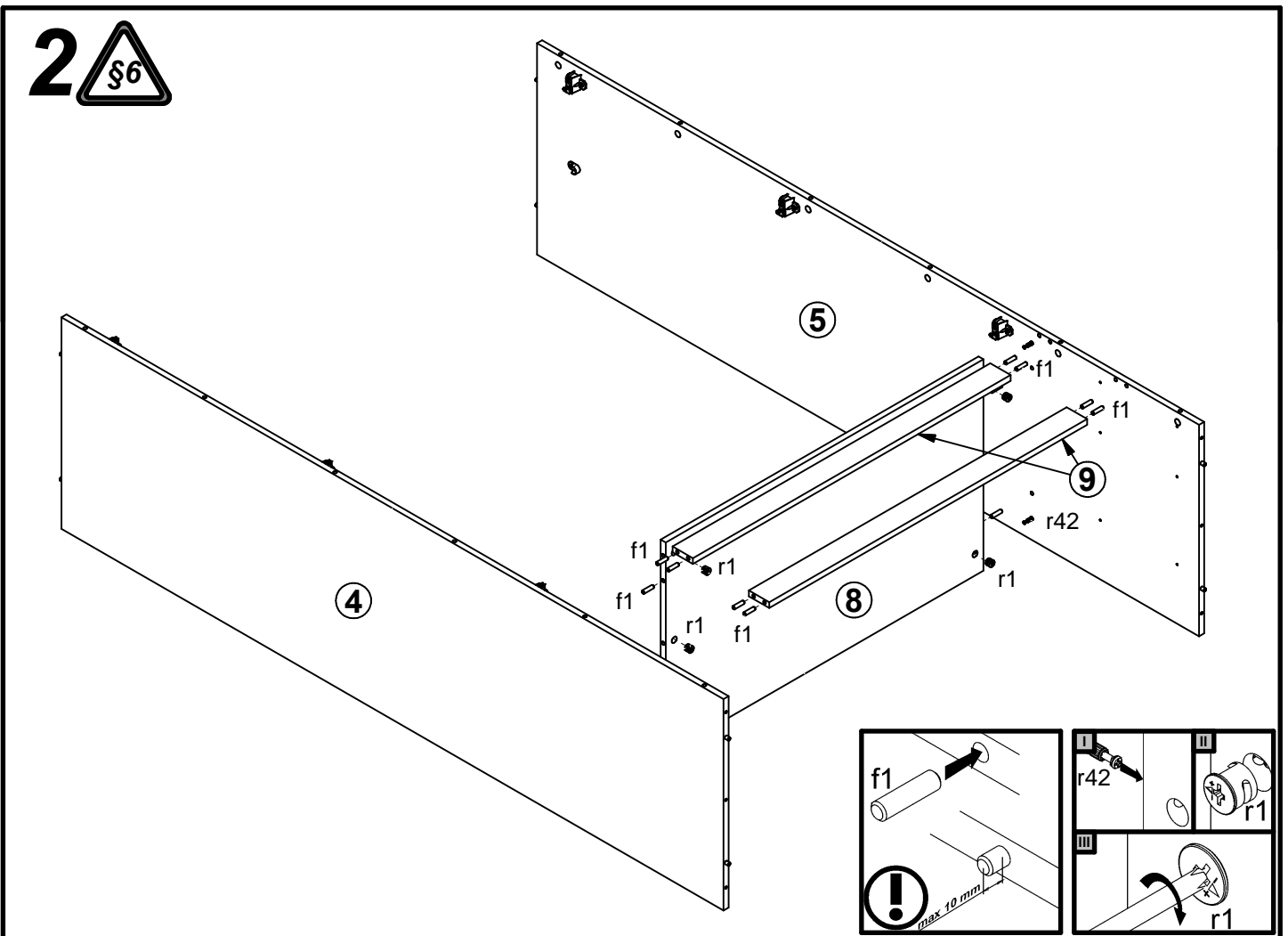


6x a43	6x b18	12x Ø7x50 mm e1	12x Ø6x30 mm e16	12x Ø5x9 mm e19	12x Ø6.3x13 mm e2	8x Ø6x13 mm e3	20x Ø8x30 mm f1	4x Ø8x20 mm f13
8x Ø6.5x40 mm f25	4x Ø6x30 mm f9	4x k82\1	4x k82\3	75x l1	2x n158	2x Ø3.5x13 mm p1	2x Ø3.5x16 mm p25	2x Ø3.5x10 mm p35
12x Ø3.5x16 mm p38	12x Ø3.5x15 mm p51	25x Ø15x12 mm #16 r1	16x Ø12x10.5 mm #12 r15	33x r42	4x r51	2x 500 mm t34	2x 500 mm w26\CL	2x 500 mm w26\CR
2x 500 mm w26\DL	2x 500 mm w26\DR	12x H=18 mm w36	1x z1	1x n26\1	1x Ø3.5x16 mm p38	10x Ø16 s2		

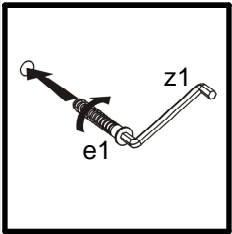
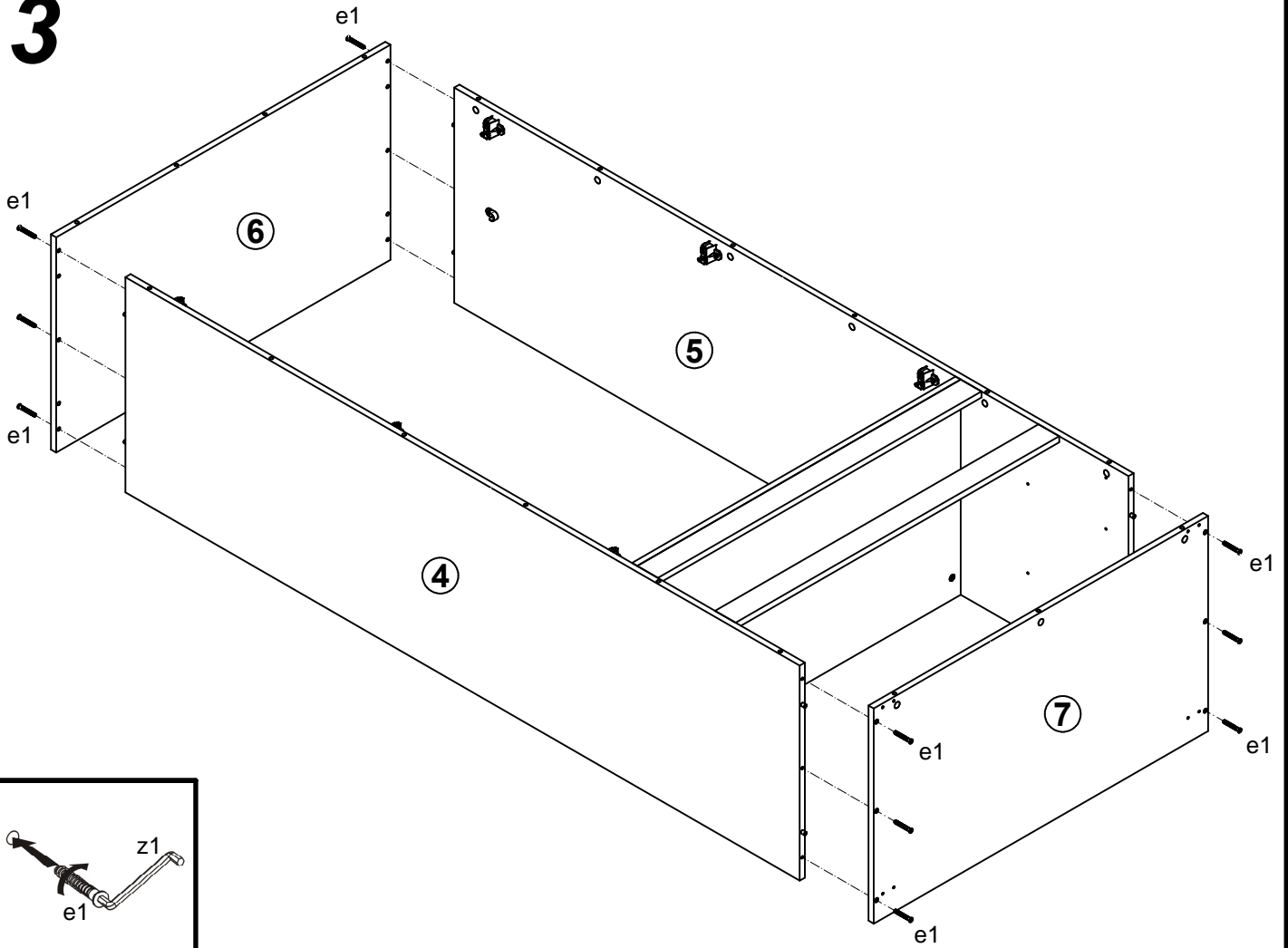
1 



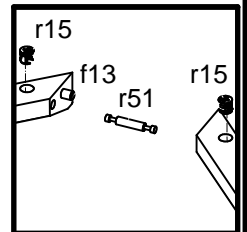
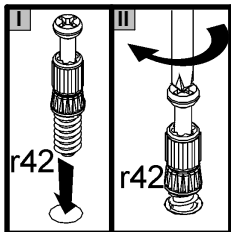
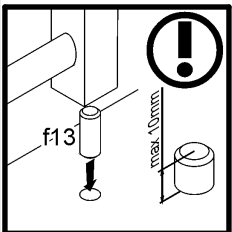
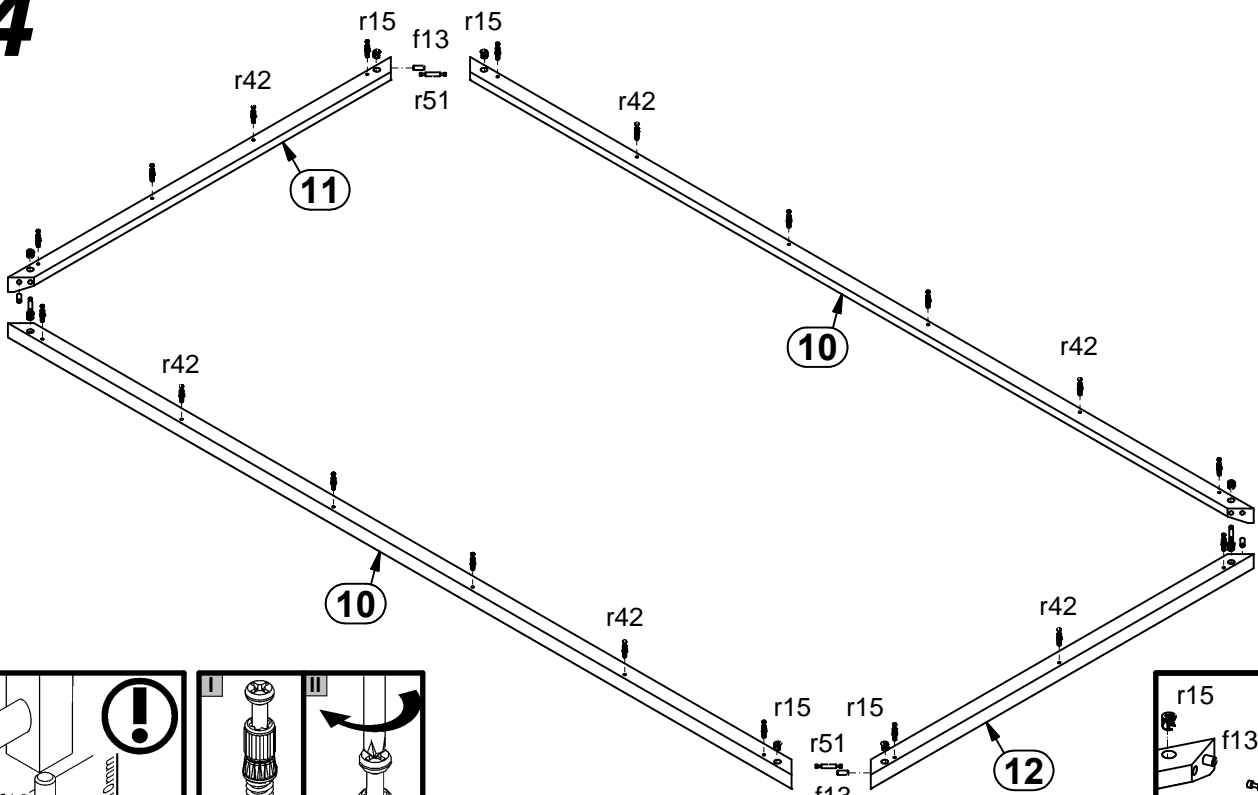
2 



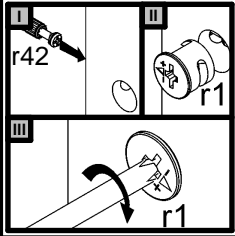
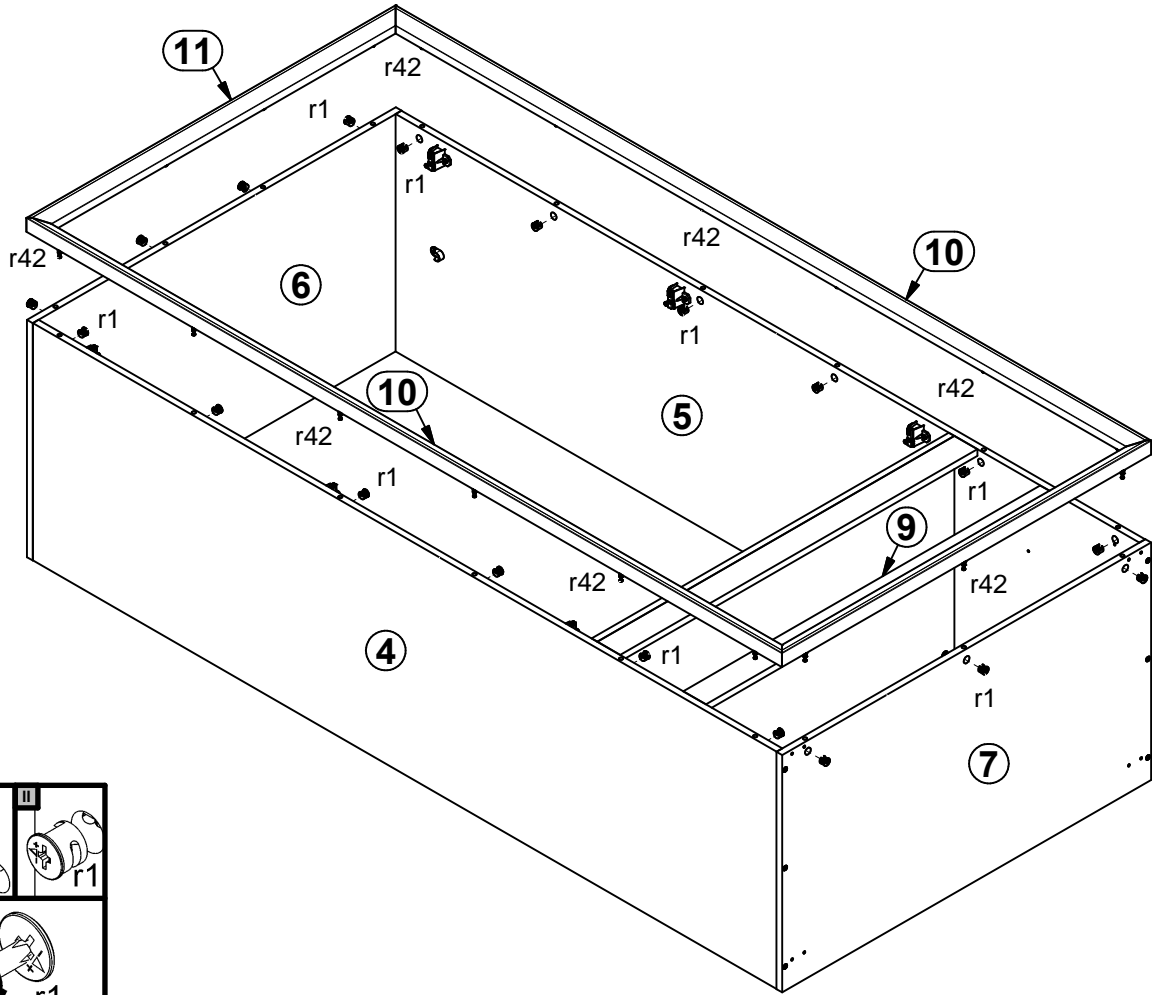
3



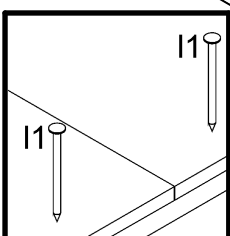
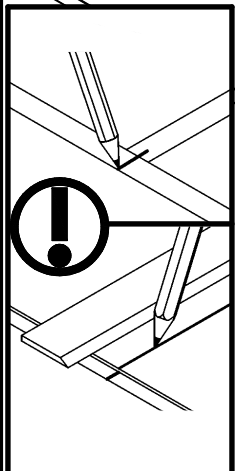
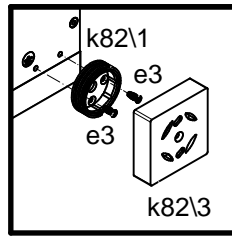
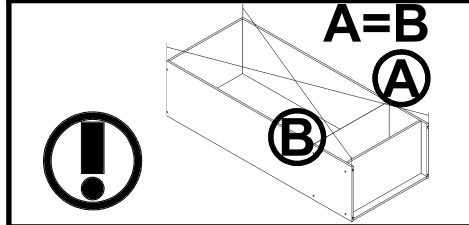
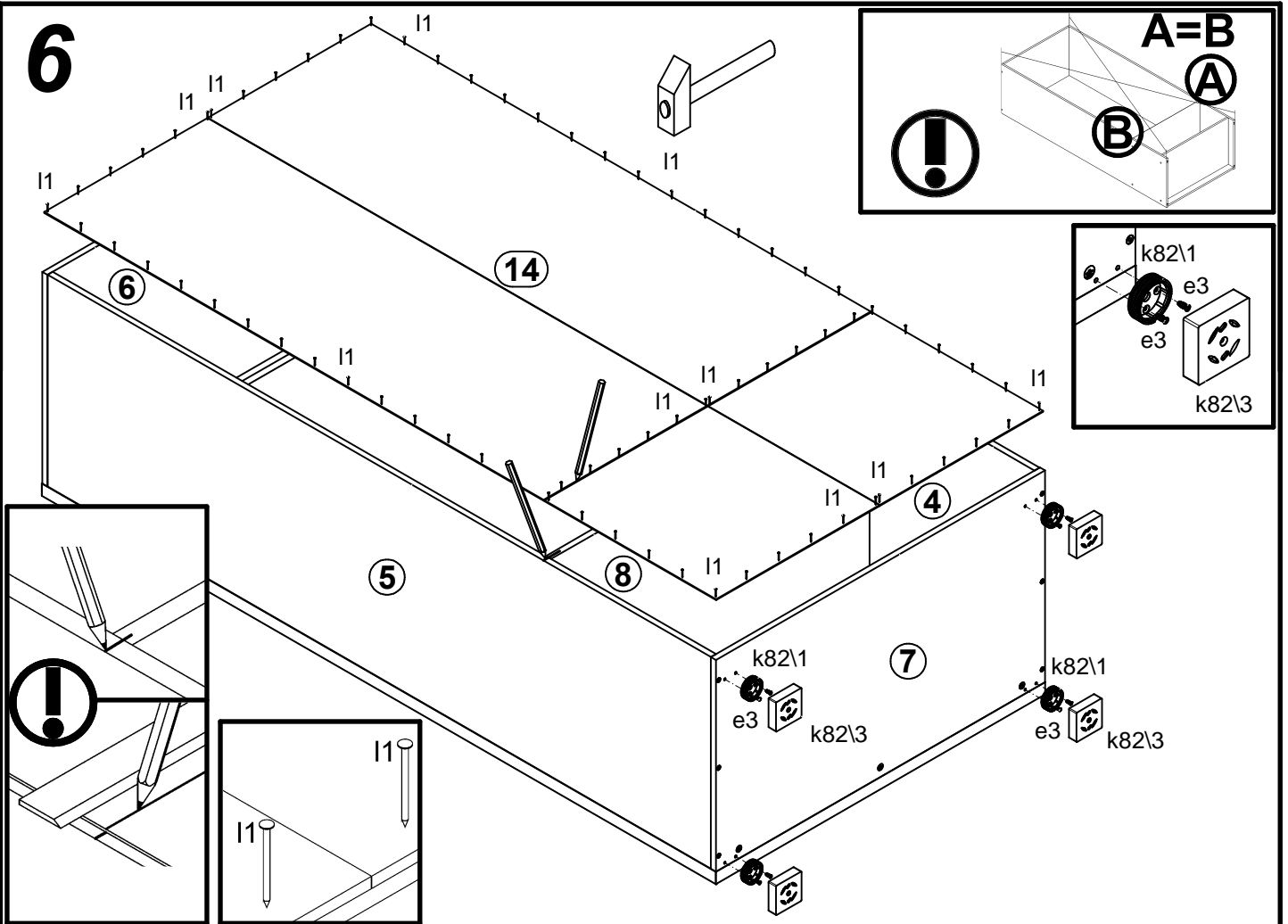
4



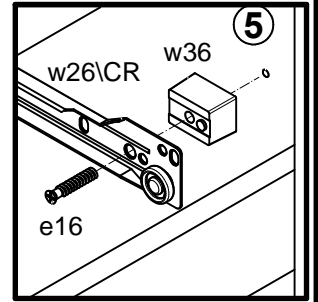
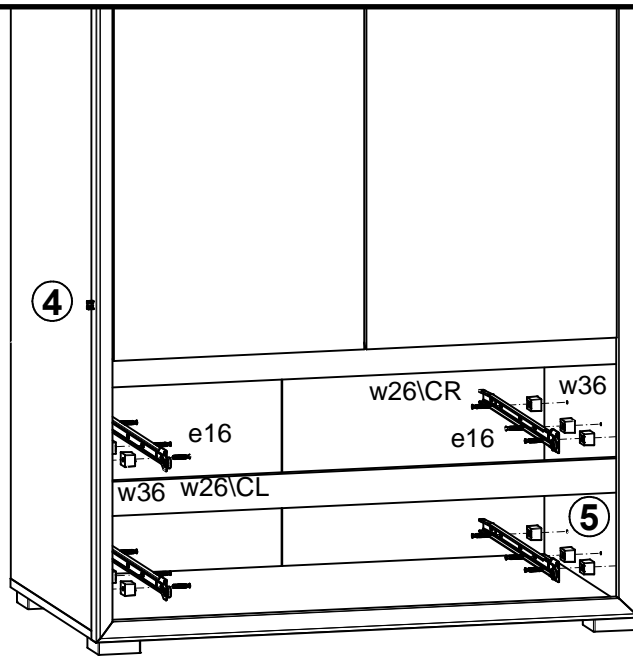
5



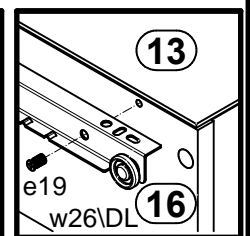
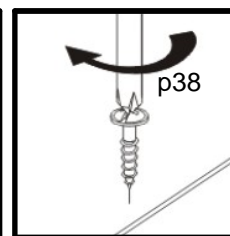
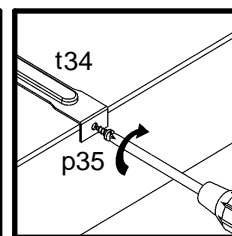
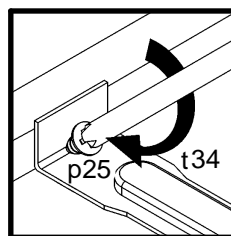
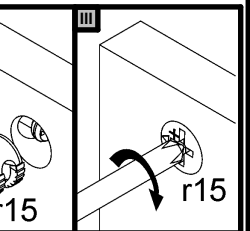
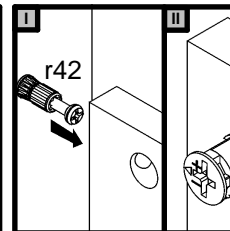
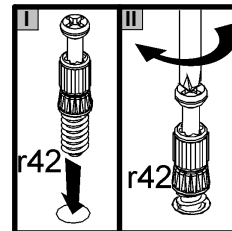
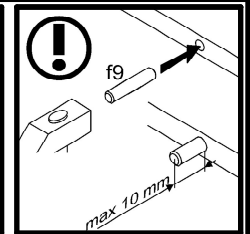
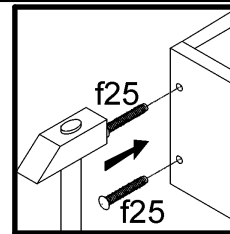
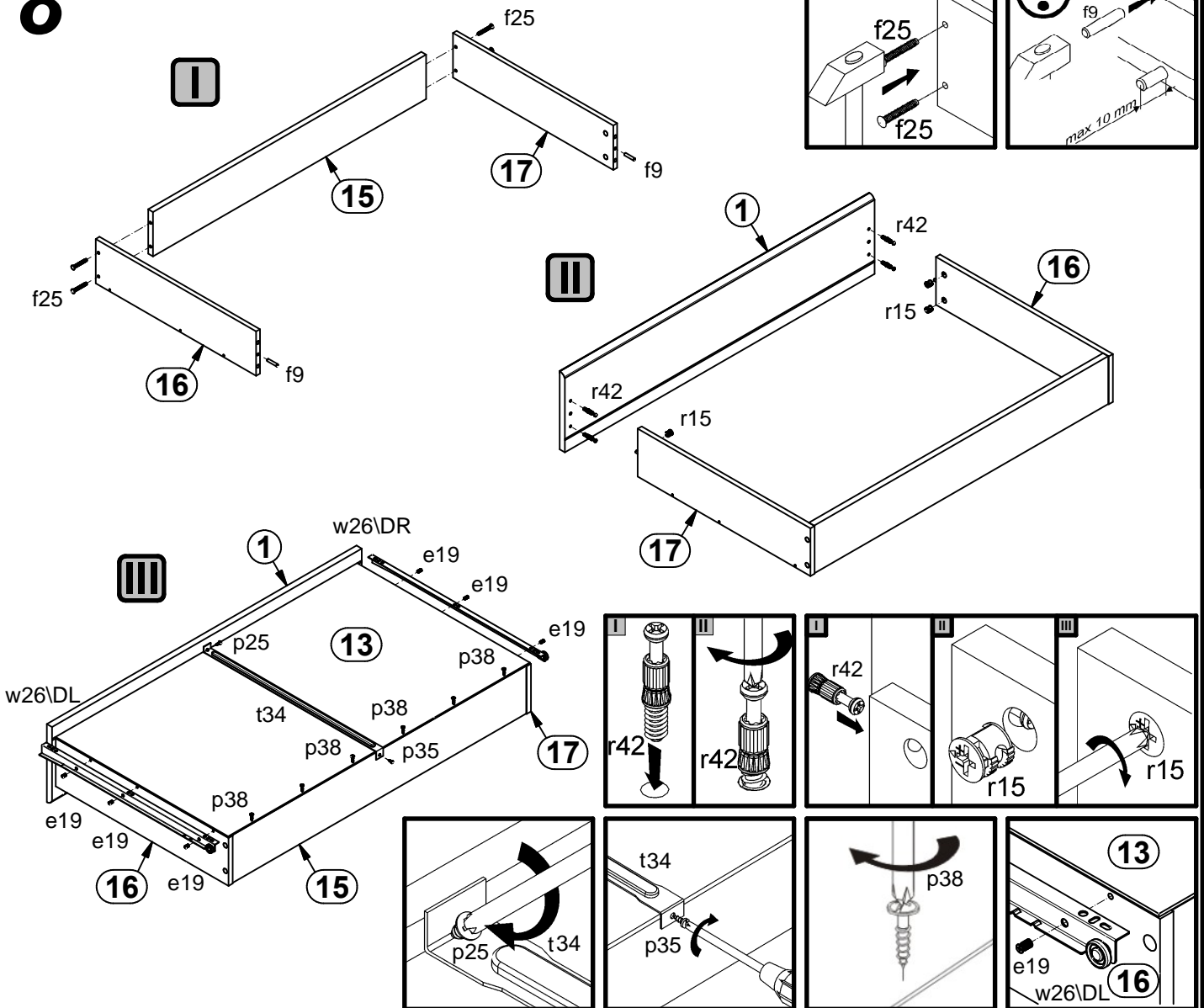
6



7



8



9

