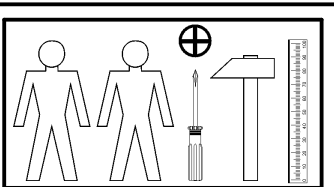
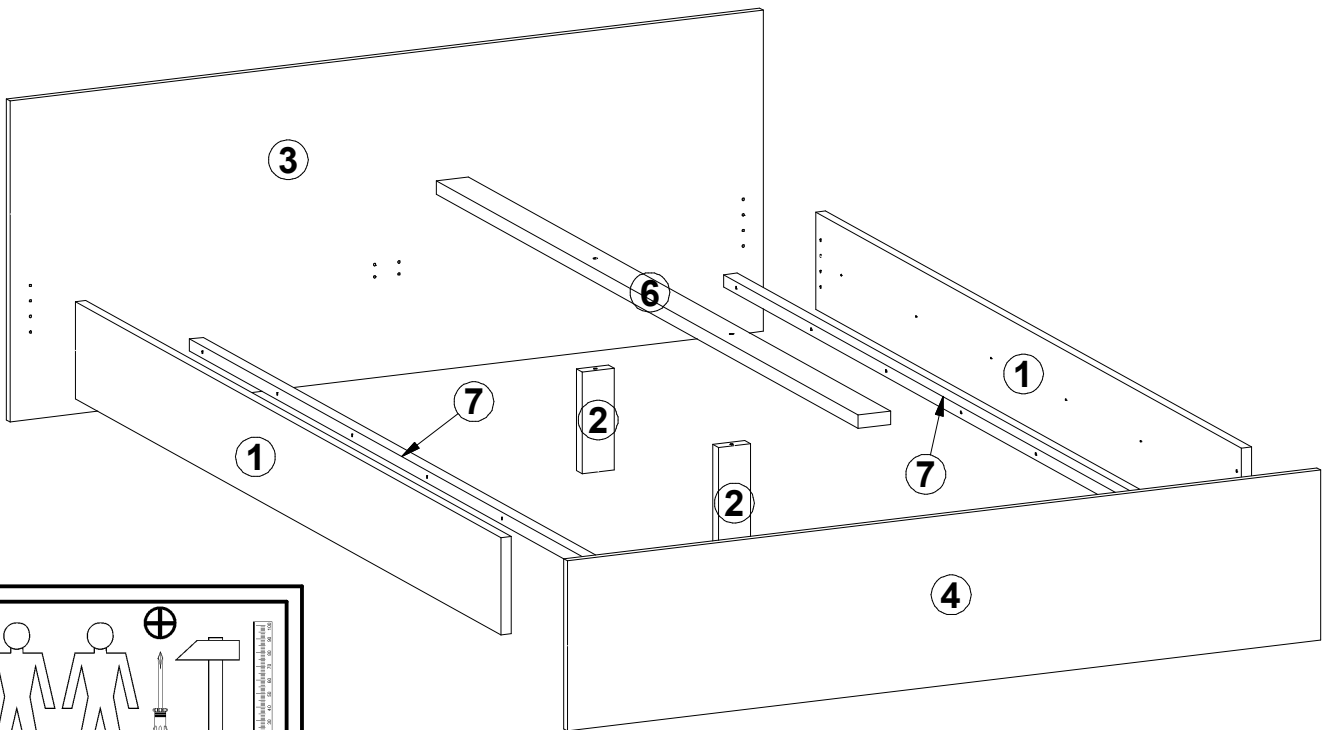
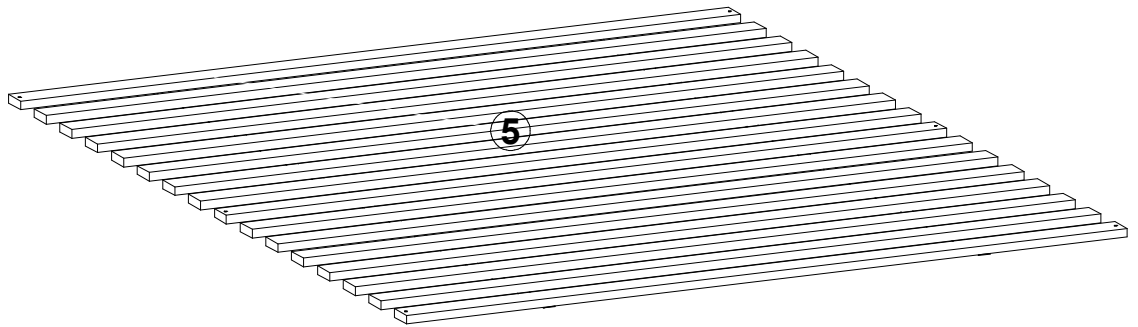
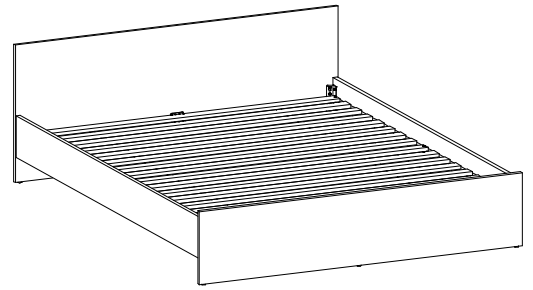


RINGO

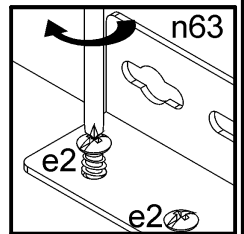
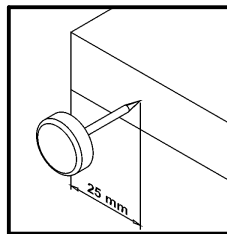
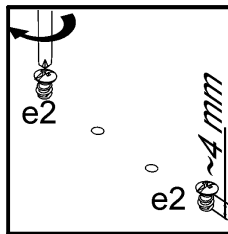
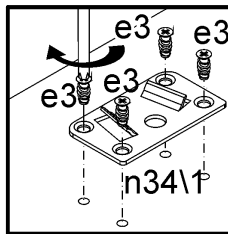
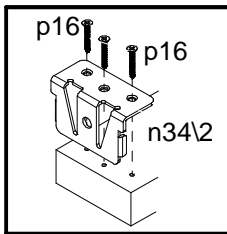
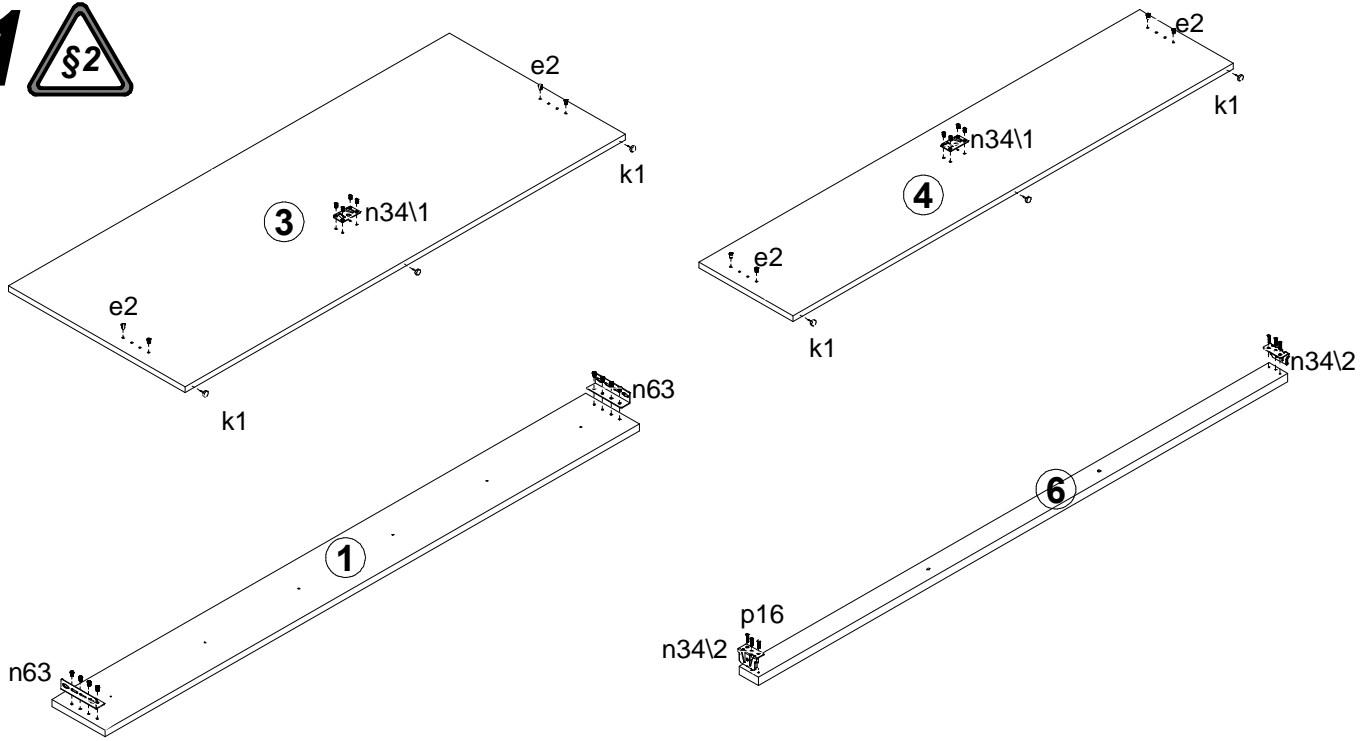
S61-LOZ/160

A	B	C		D
1	S61-143	2000	200	2/2
2	S61-415	209	70	2/2
3	S61-416	1650	660	1/2
4	S61-417	1650	350	1/2
5	ZZ1-501	1872	1578	1/1
6	ZZ1-719	1983	70	2/2
7	ZZ1-720	1880	25	2/2

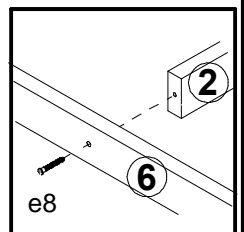
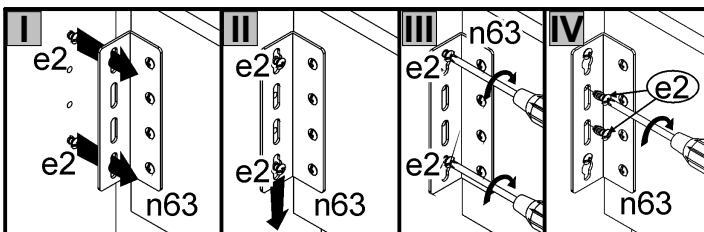
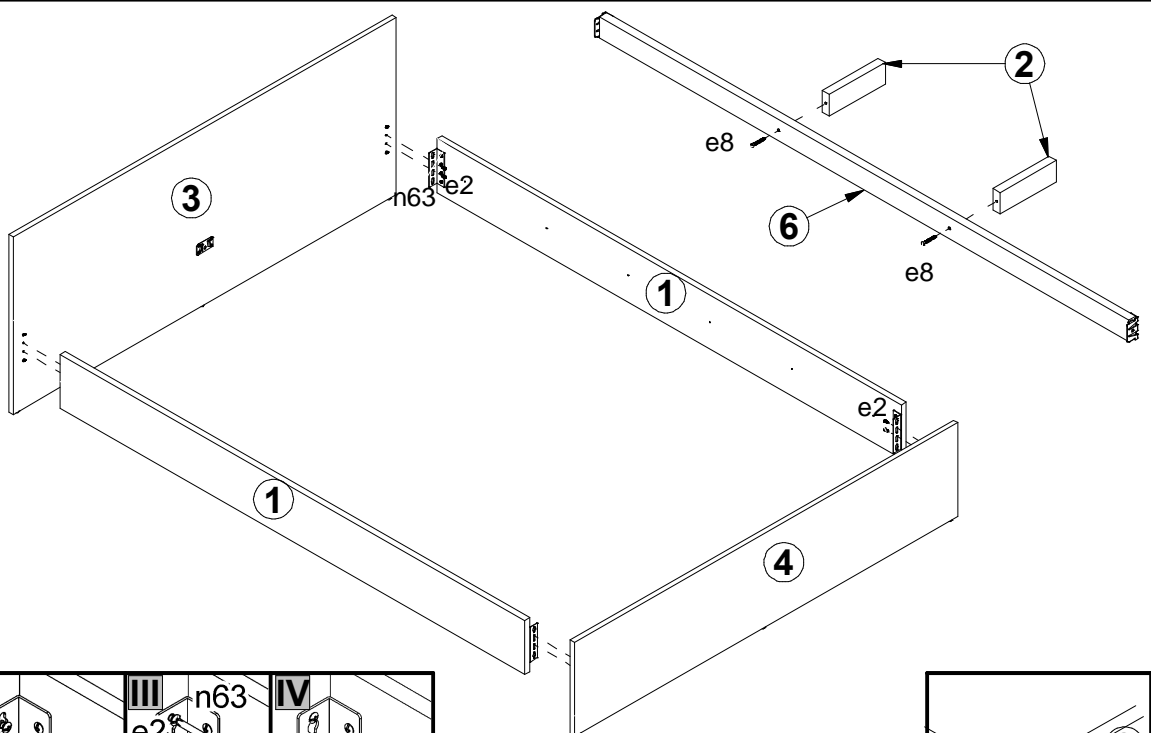


32x φ6,3x13 mm e2	8x φ6x13 mm e3	2x φ7x60 mm e8	6x k1	2x n34/1	2x n34/2	4x 130x34x34/2mm n63	12x φ4x45 mm p11	6x φ3,5x25 mm p16
6x φ4x35 mm p6	1x z1							

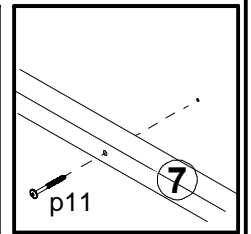
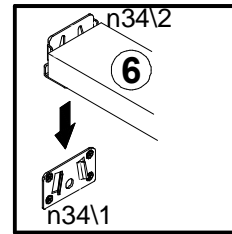
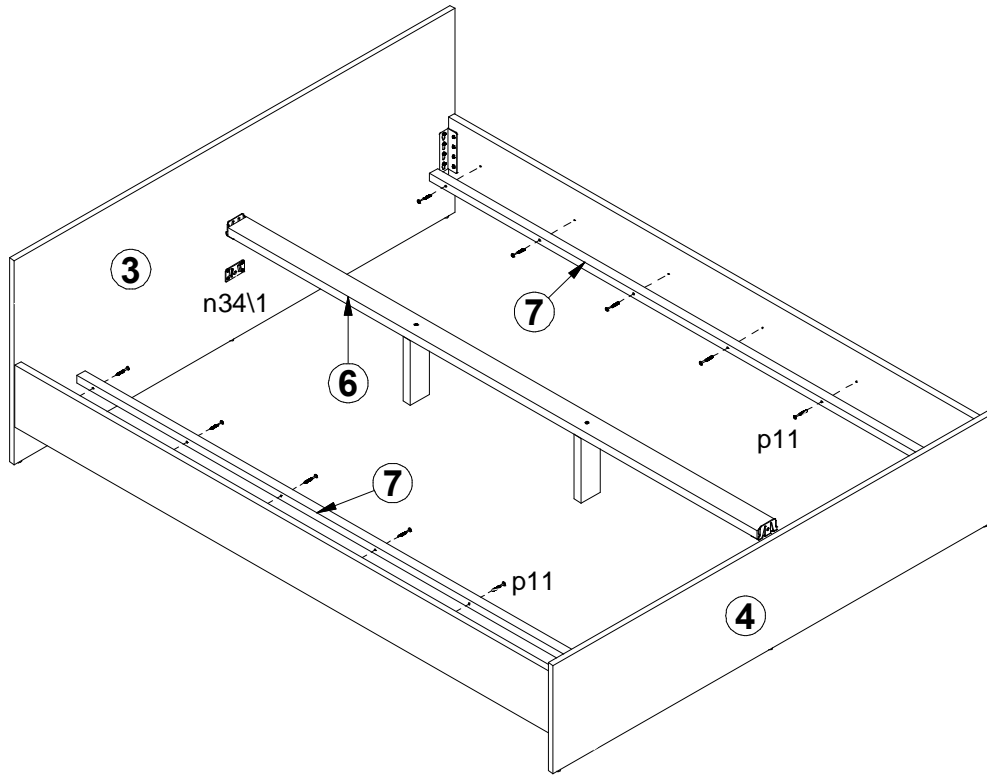
1



2



3



4

