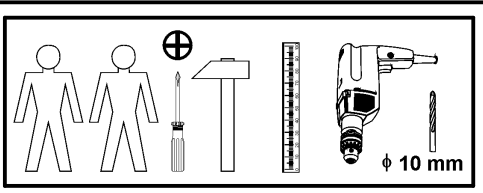
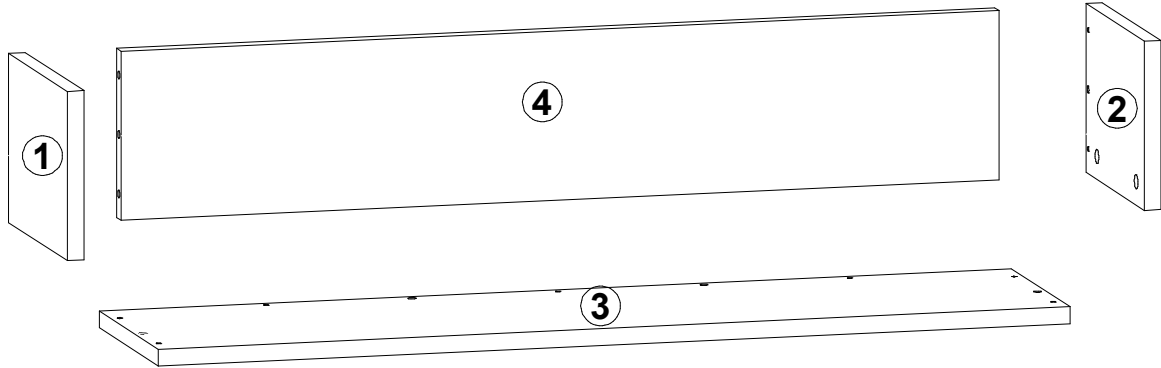
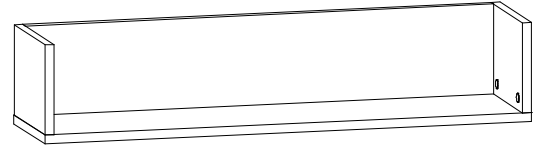


# RINGO

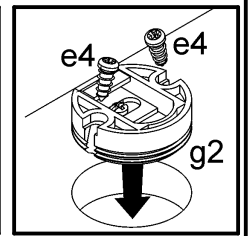
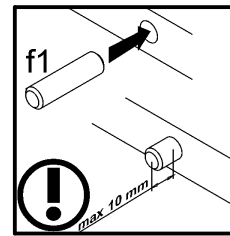
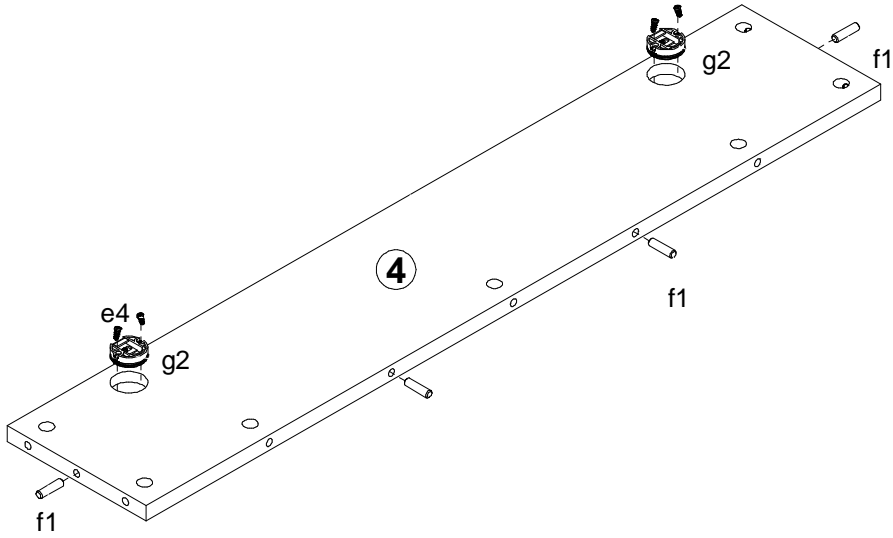
S61-POL/10/2

A	B	C		D
1	S61-127	182	240	1/1
2	S61-128	182	240	1/1
3	S61-220	1000	240	1/1
4	S61-403	963	182	1/1

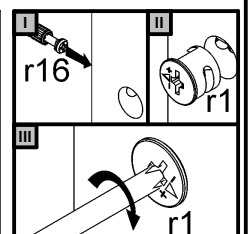
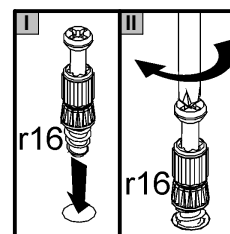
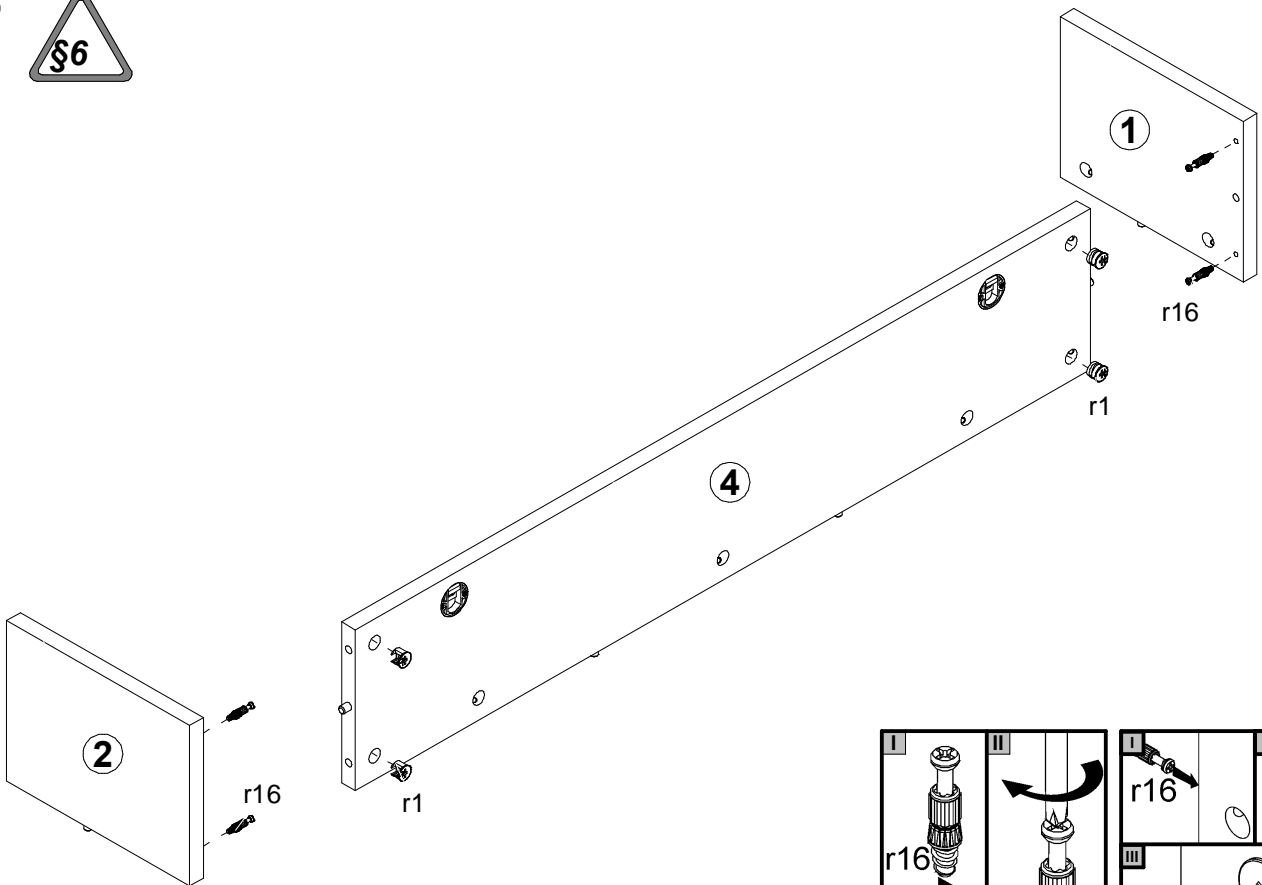


4x  φ5x11 mm e4	6x  φ8x30 mm f1	2x  φ10x50 mm f35	2x  g2	2x  φ6x60 mm p75	11x  φ15x12mm #16 r1	11x  r16	4x  ø16 s2
-----------------------	-----------------------	-------------------------	--------------	------------------------	----------------------------	----------------	------------------

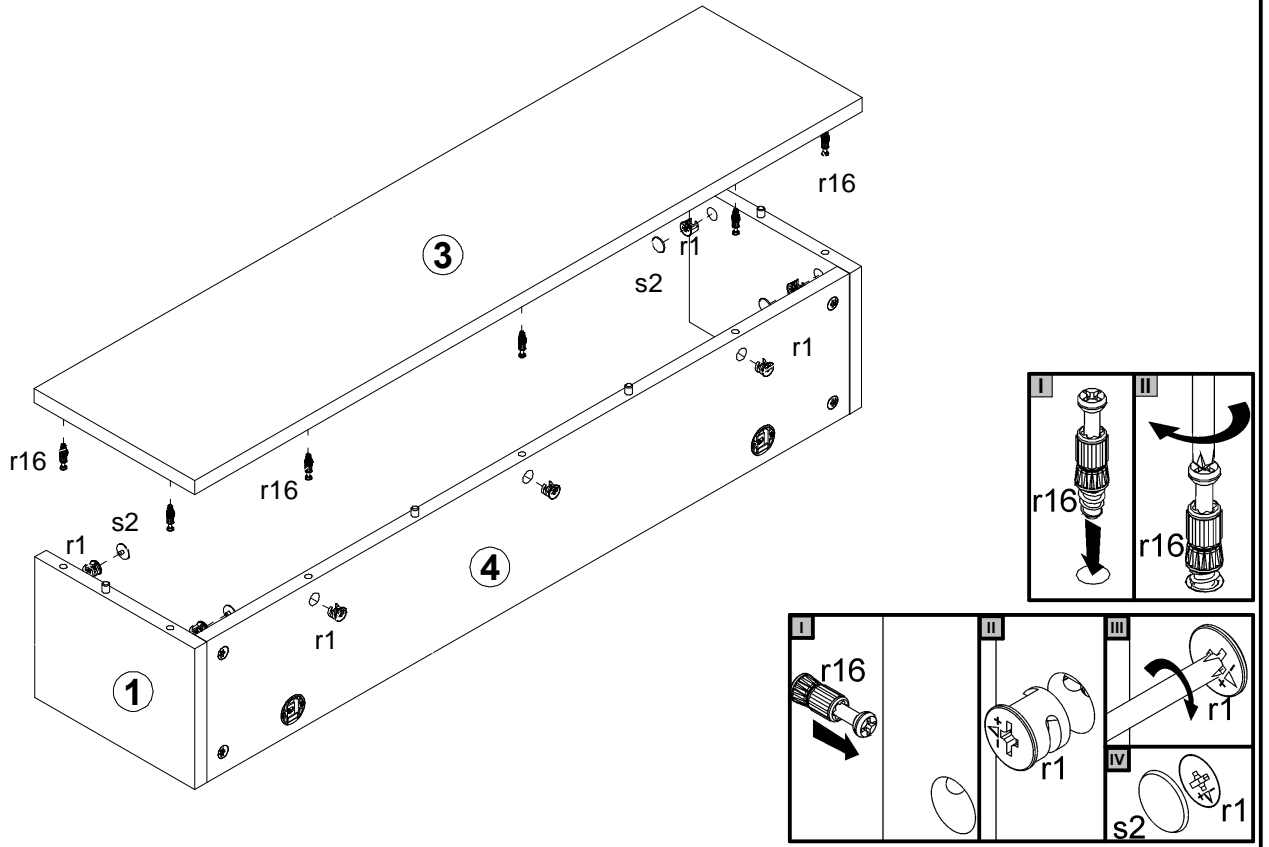
**1** §2



**2** §6



# 3



# 4

