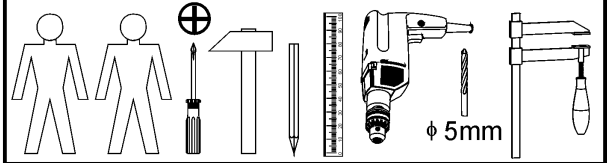
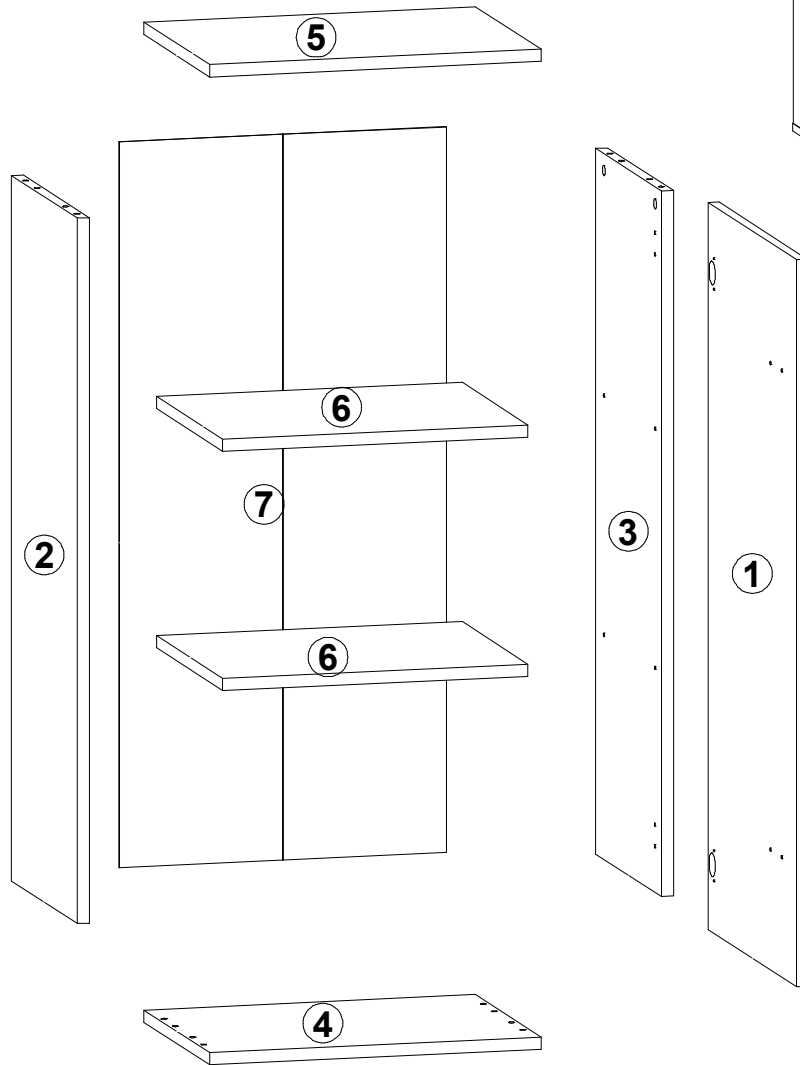
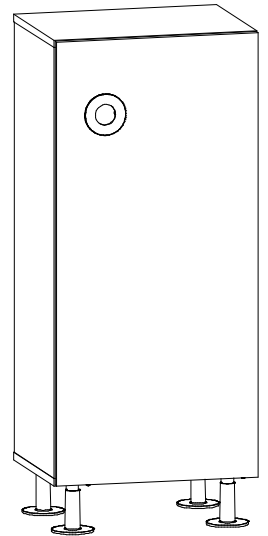
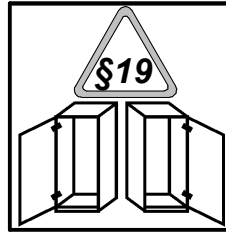


# RINGO

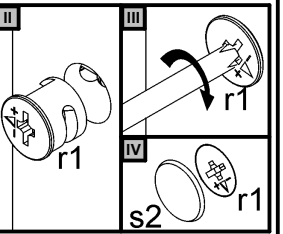
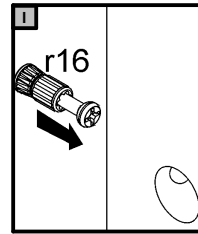
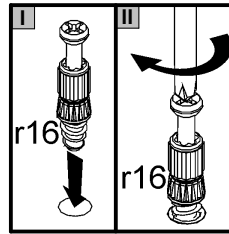
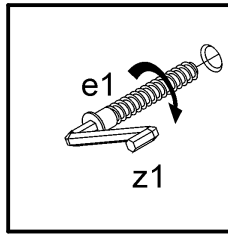
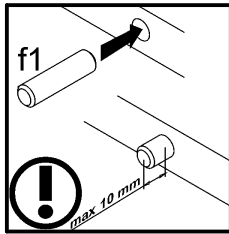
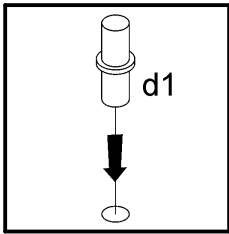
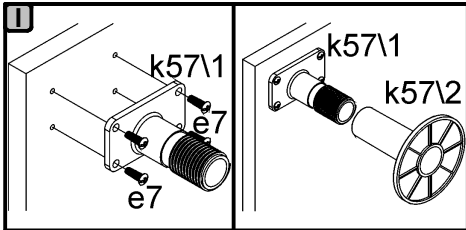
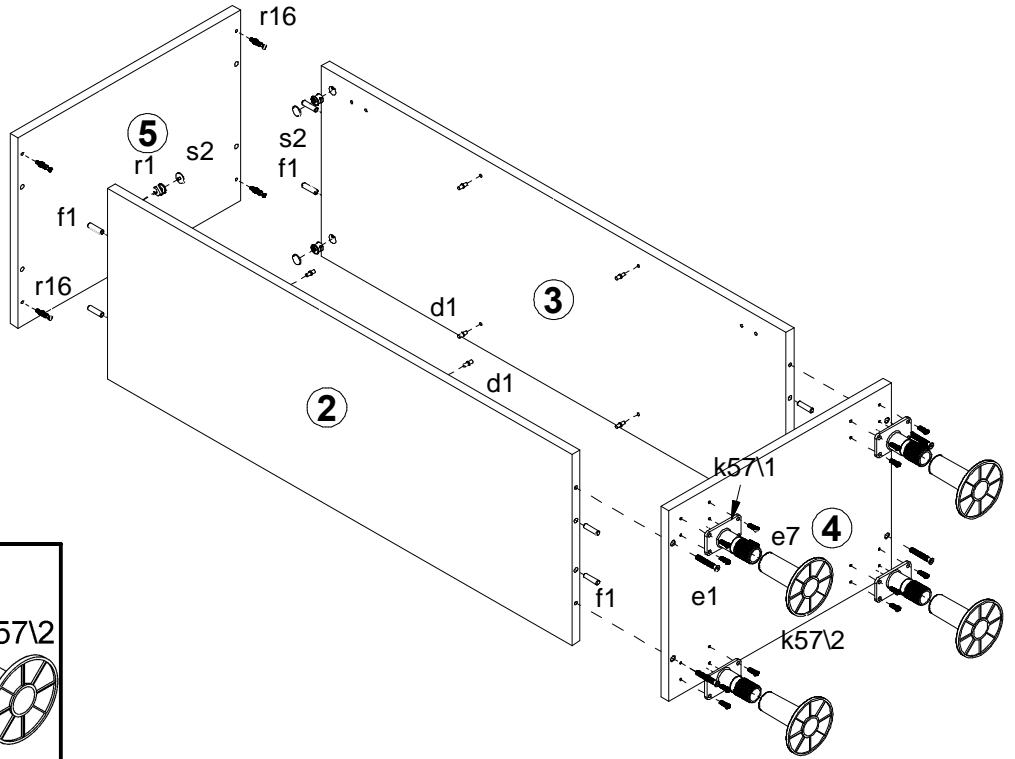
S61-SFK1D/5/12

A	B	C		D
1	S61-013	1076	496	3/3
2	S61-121	1044	370	1/3
3	S61-122	1044	370	1/3
4	S61-202	500	370	1/3
5	S61-203	500	370	1/3
6	S61-302	461	369	1/3
7	S61-903	1074	493	1/3

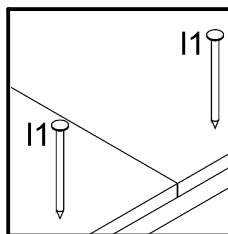
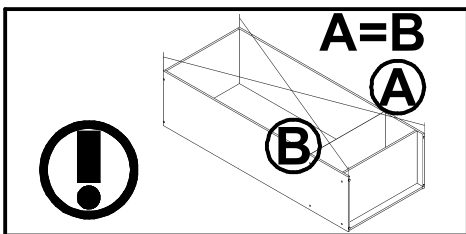
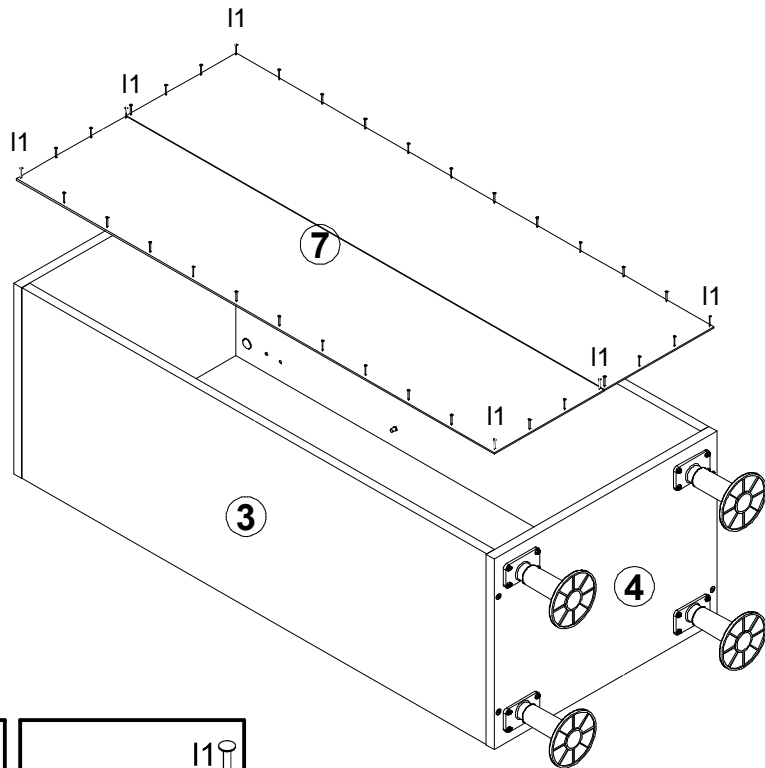


2x  a44	2x  b33	1x  c210	8x  d1 φ5x17 mm	4x  e1 φ7x50 mm	4x  e2 φ6,3x13 mm	16x  e7 φ6,3x16 mm	8x  f1 φ8x30 mm	4x  k57/1
4x  k57/2	40x  l1	4x  p51 φ3,5x15 mm	2x  p90 φ4x28 mm	4x  r1 φ1,5x12mm #16	4x  r16	4x  s2 16	1x  z1	1x  n26/1
1x  p38 φ3,5x16 mm								

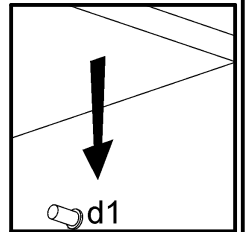
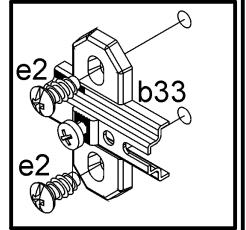
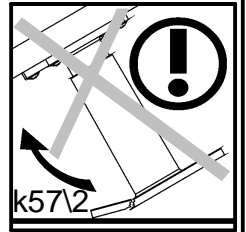
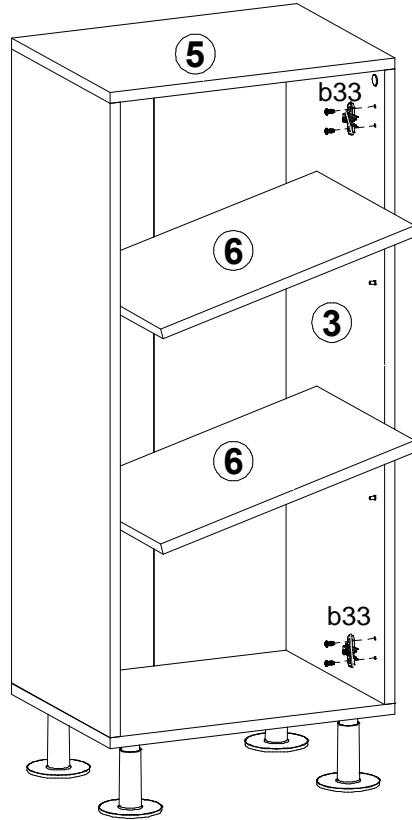
**1** §2 §6



**2**



# 3



# 4

