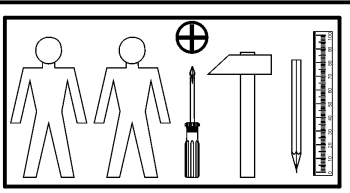
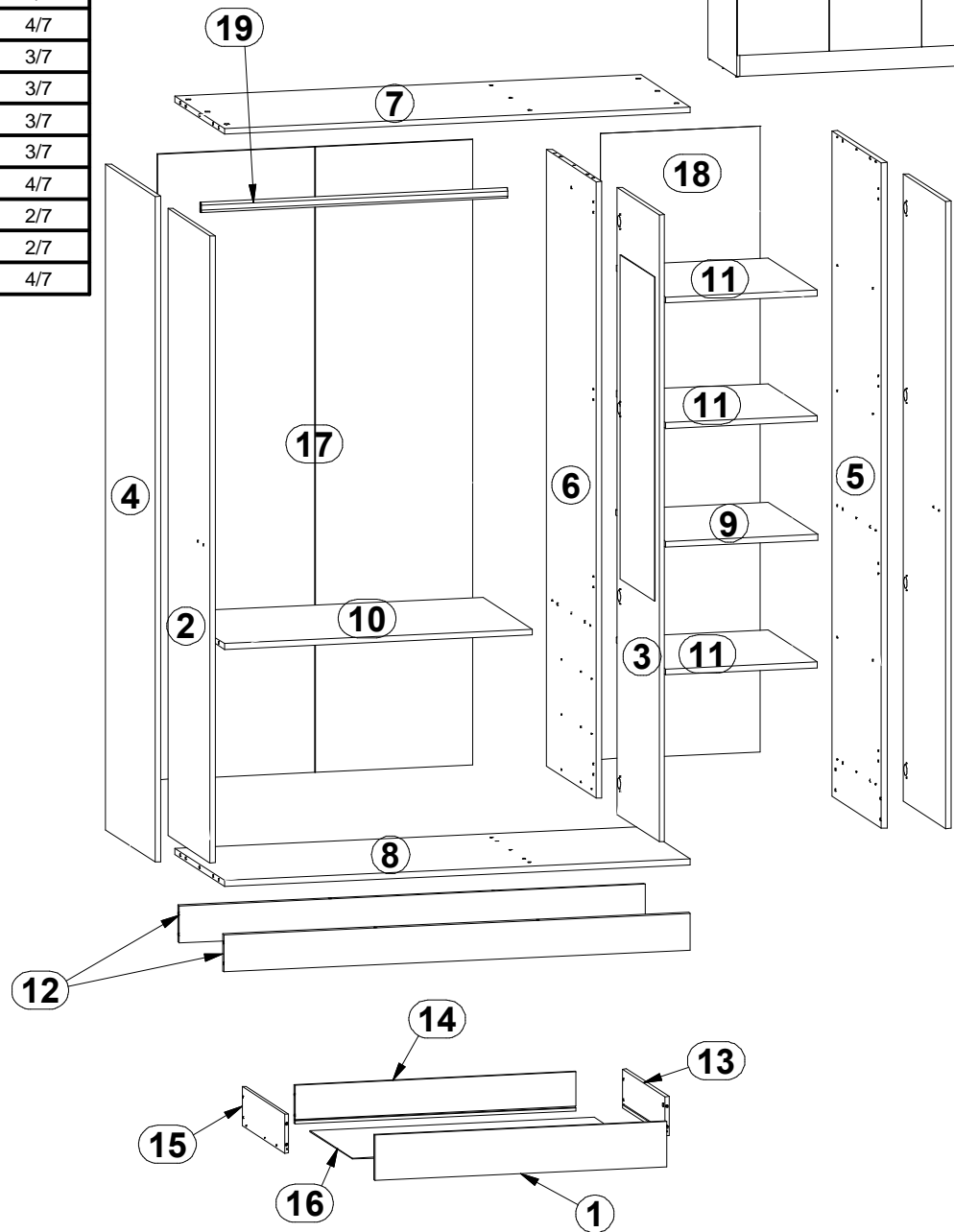
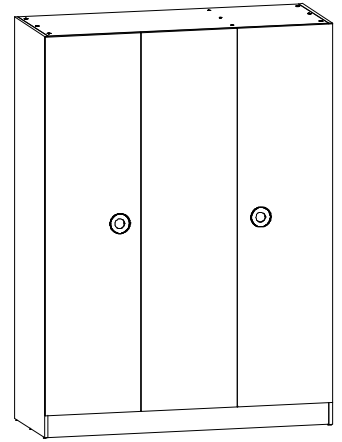


RINGO

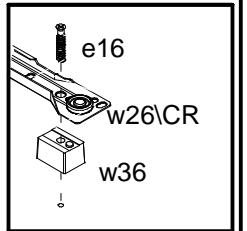
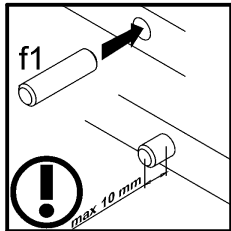
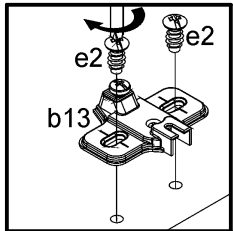
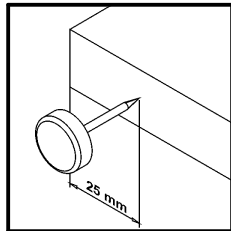
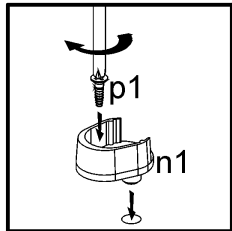
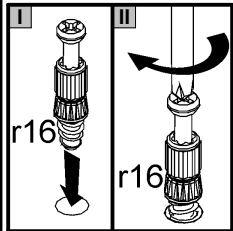
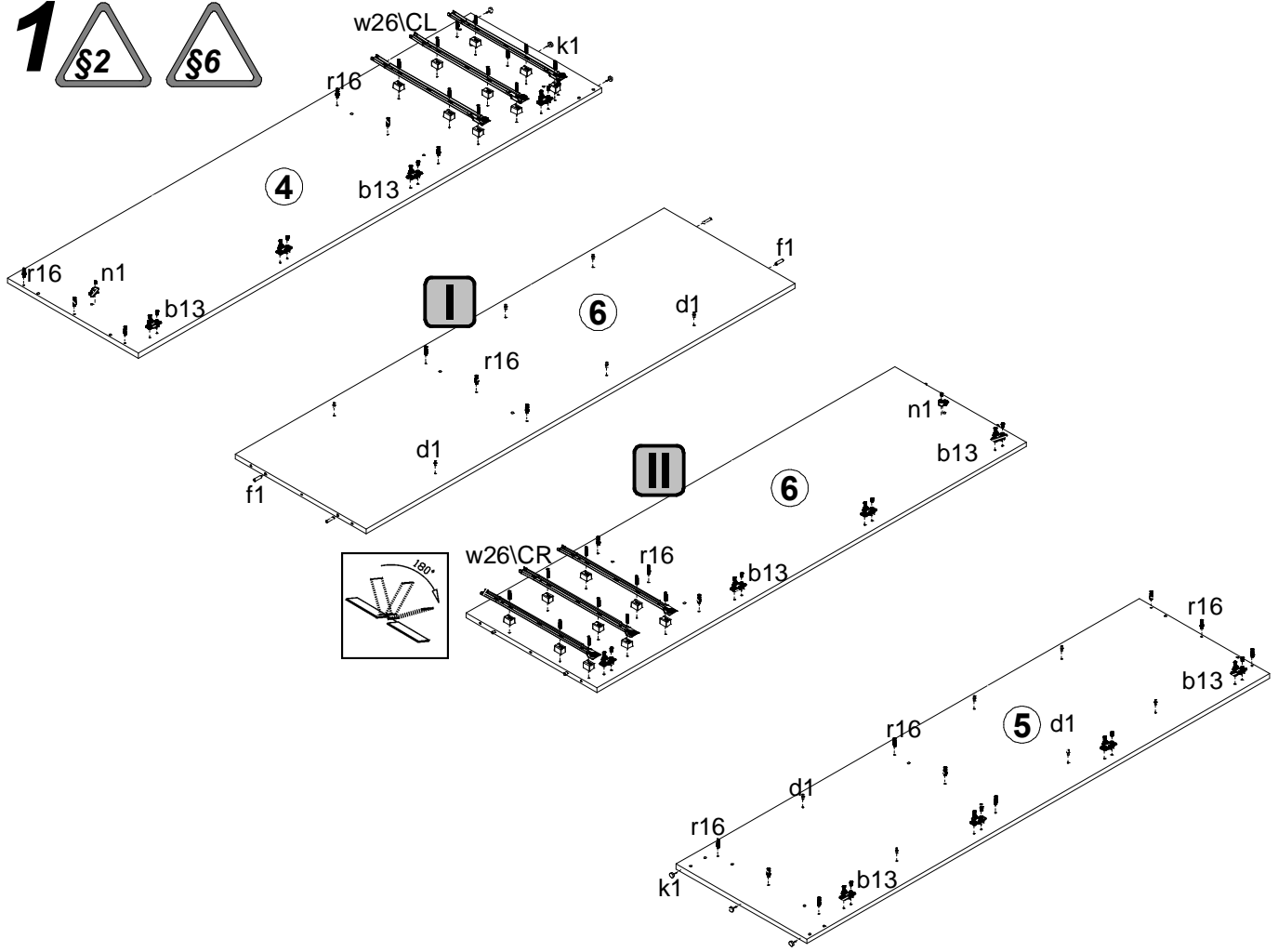
S61-SZF3D/15/21

A	B	C	D	
1	S61-031	916	140	4/7
2	S61-032	1934	496	6/7
3	S61-037	1934	496	7/7
4	S61-150	2053	580	1/7
5	S61-151	2053	580	1/7
6	S61-152	1902	580	2/7
7	S61-323	1464	580	3/7
8	S61-324	1464	580	3/7
9	S61-325	478	580	4/7
10	S61-327	968	580	4/7
11	S61-328	476	579	4/7
12	S61-421	1464	114	3/7
13	S61-514	500	120	3/7
14	S61-515	883	120	3/7
15	S61-516	500	120	3/7
16	S61-926	894	498	4/7
17	S61-927	1930	991	2/7
18	S61-928	1930	502	2/7
19	dr-963	963	30	4/7

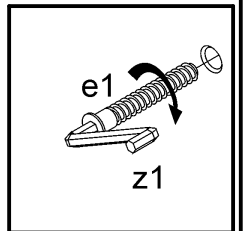
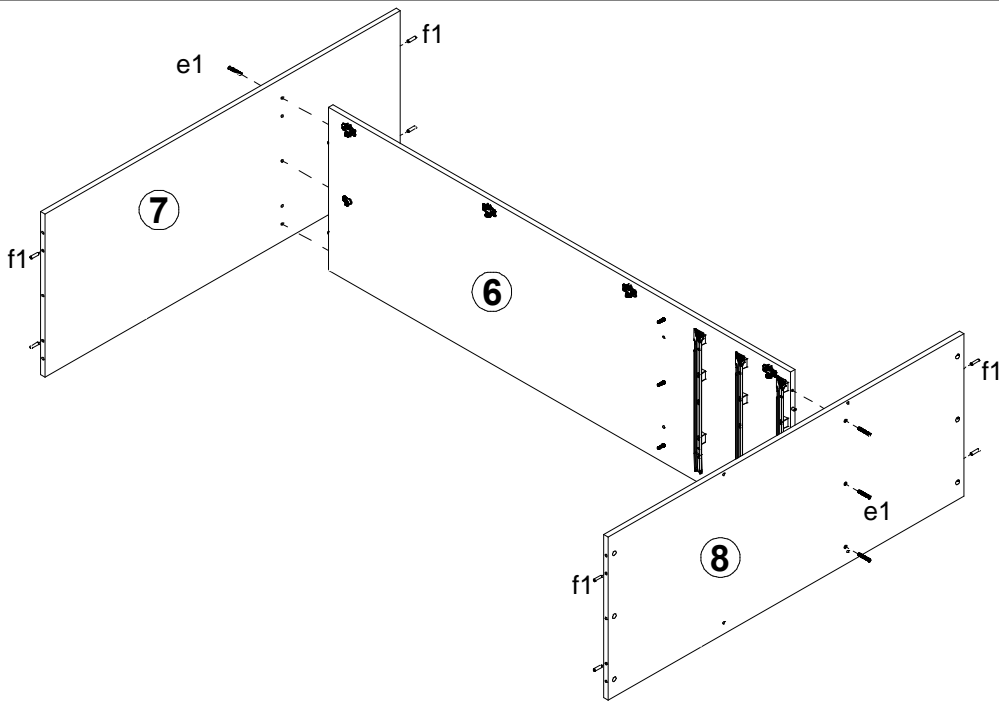


12x a29	12x b13	2x c210	12x d1 φ5x17 mm	6x e1 φ7x50 mm	18x e16 φ6x30 mm	18x e19 φ5x9 mm	24x e2 φ6,3x13 mm	32x f1 φ8x30 mm
12x f25 φ6,5x40 mm	6x k1	130x l1	2x n1	2x p1 φ3,5x13 mm	6x p25 φ3,5x16 mm	24x p51 φ3,5x15 mm	4x p90 φ4x28 mm	24x r1 φ1,5x12mm #16
12x r15 φ12x10,5mm #12	36x r16	6x s2 ø16	3x t17 483 mm	3x w26\CL 500 mm	3x w26\CR 500 mm	3x w26\DL 500 mm	3x w26\DR 500 mm	18x w36 h=18 mm
1x z1								

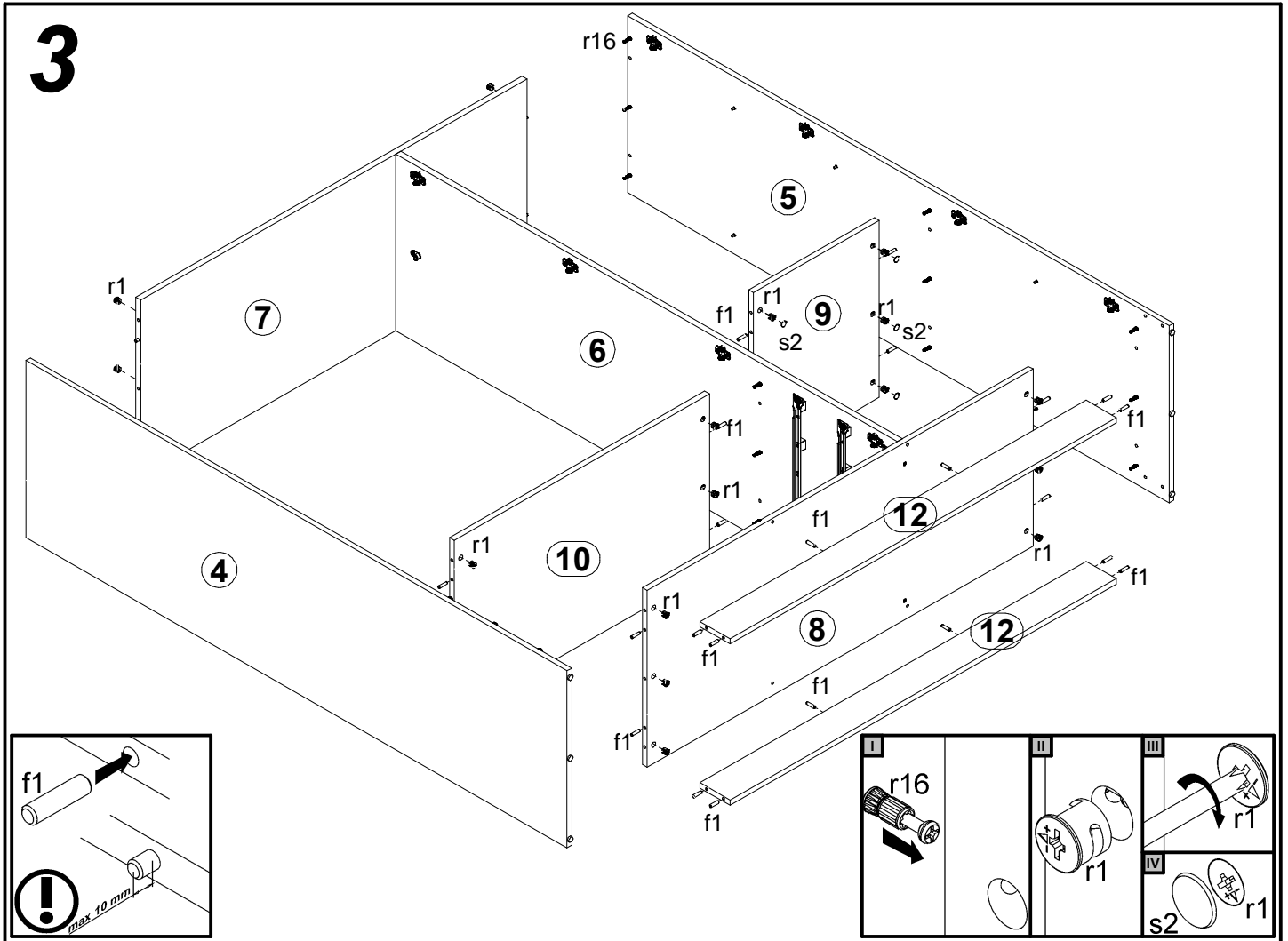
1



2



3



4

