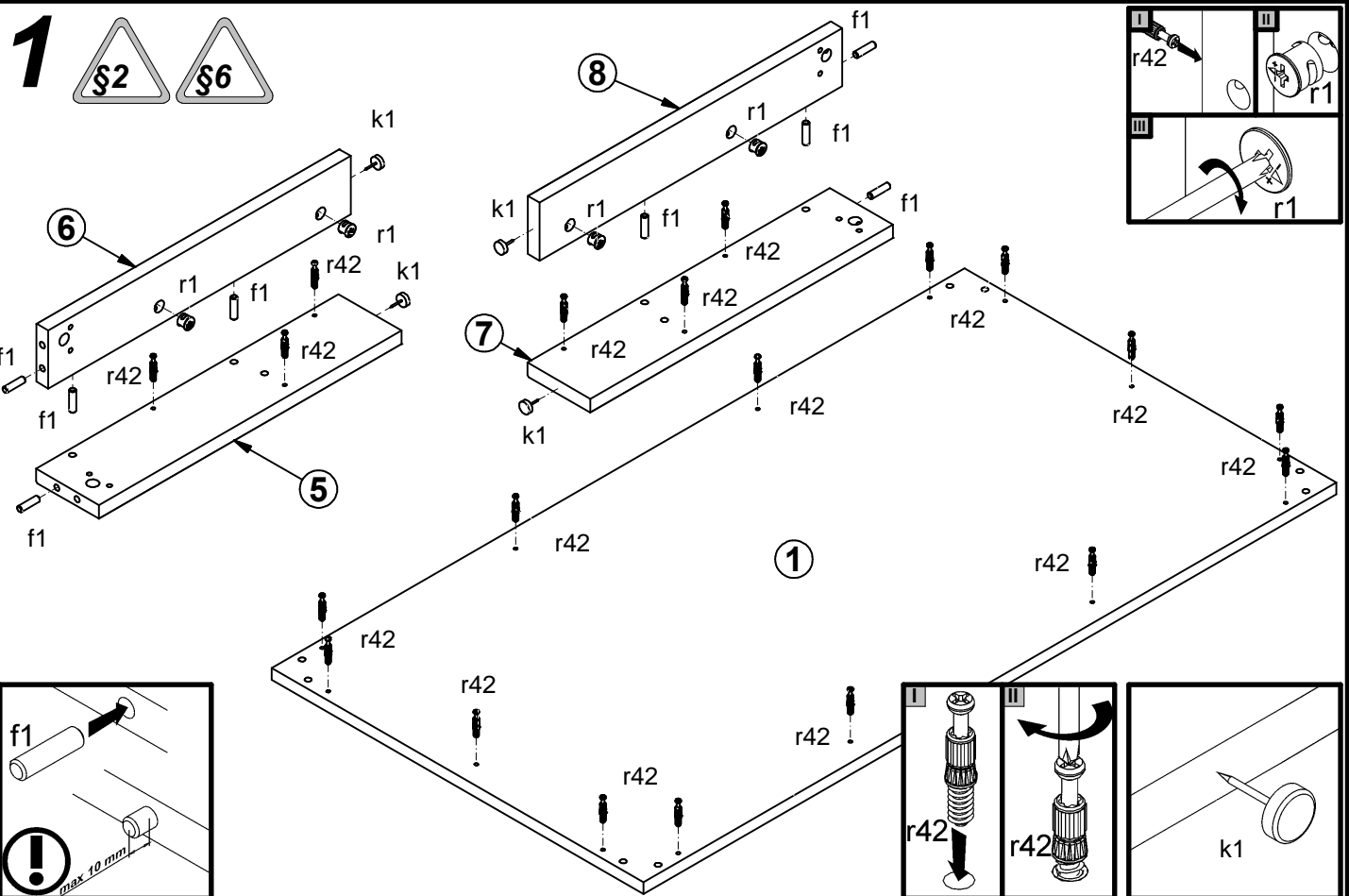
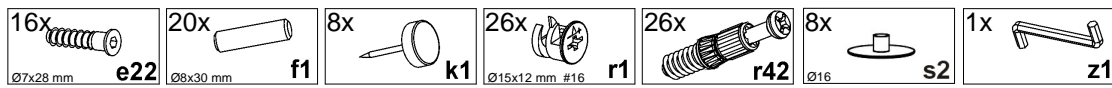
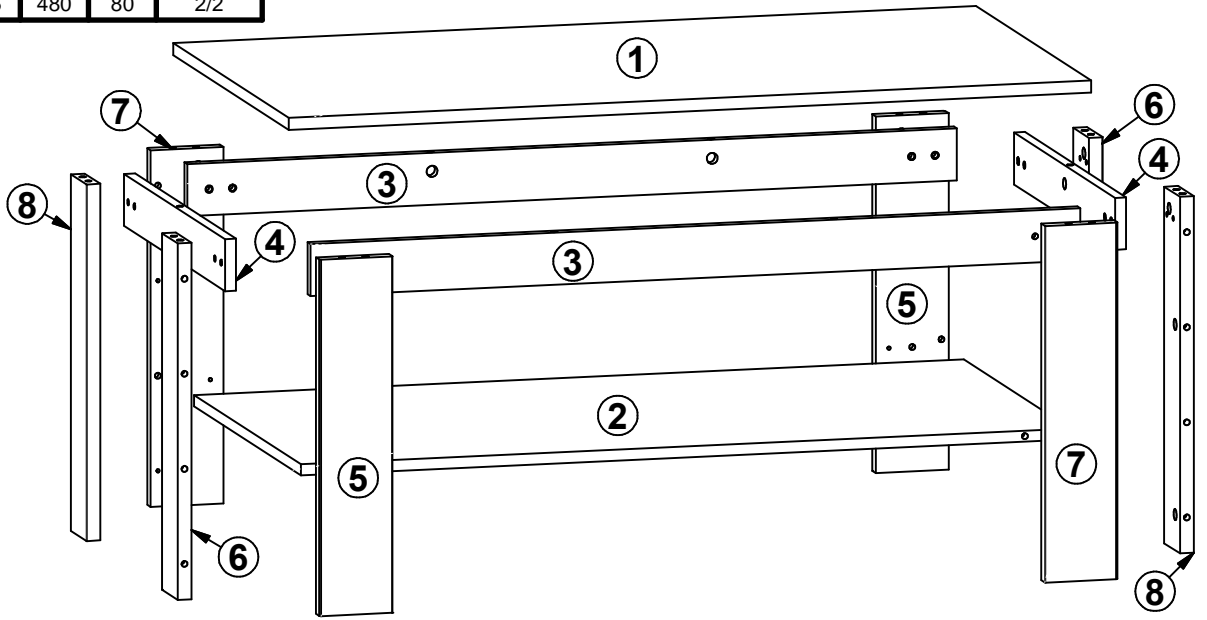
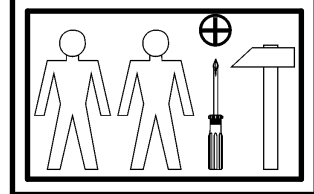
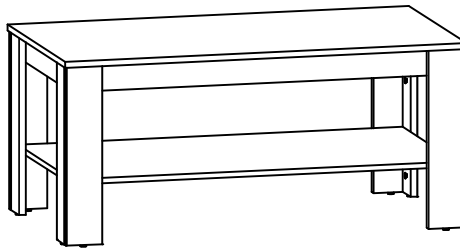


A

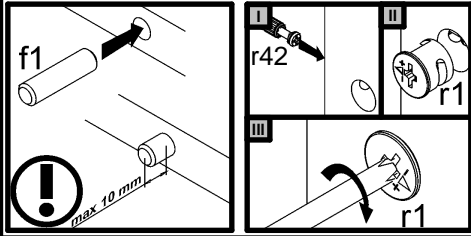
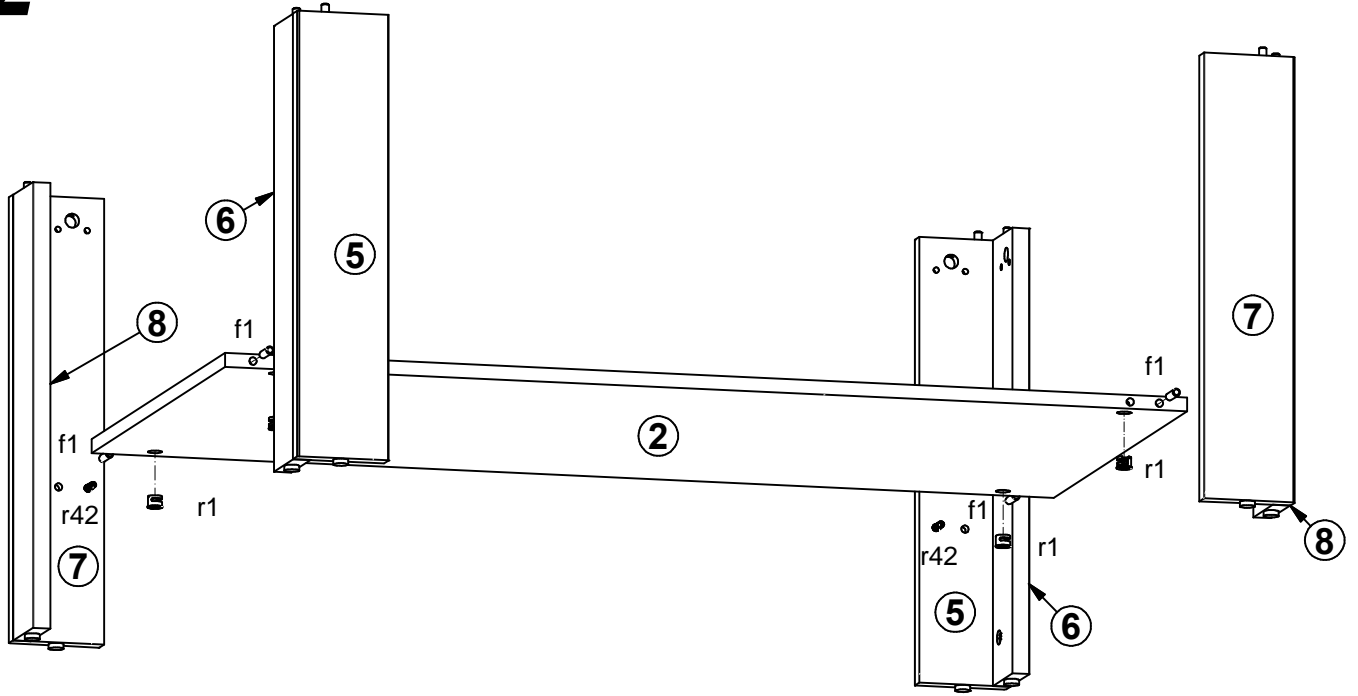
ROSTI

S311-LAW/110

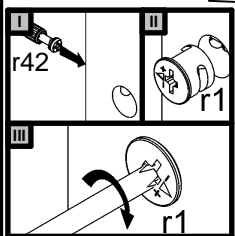
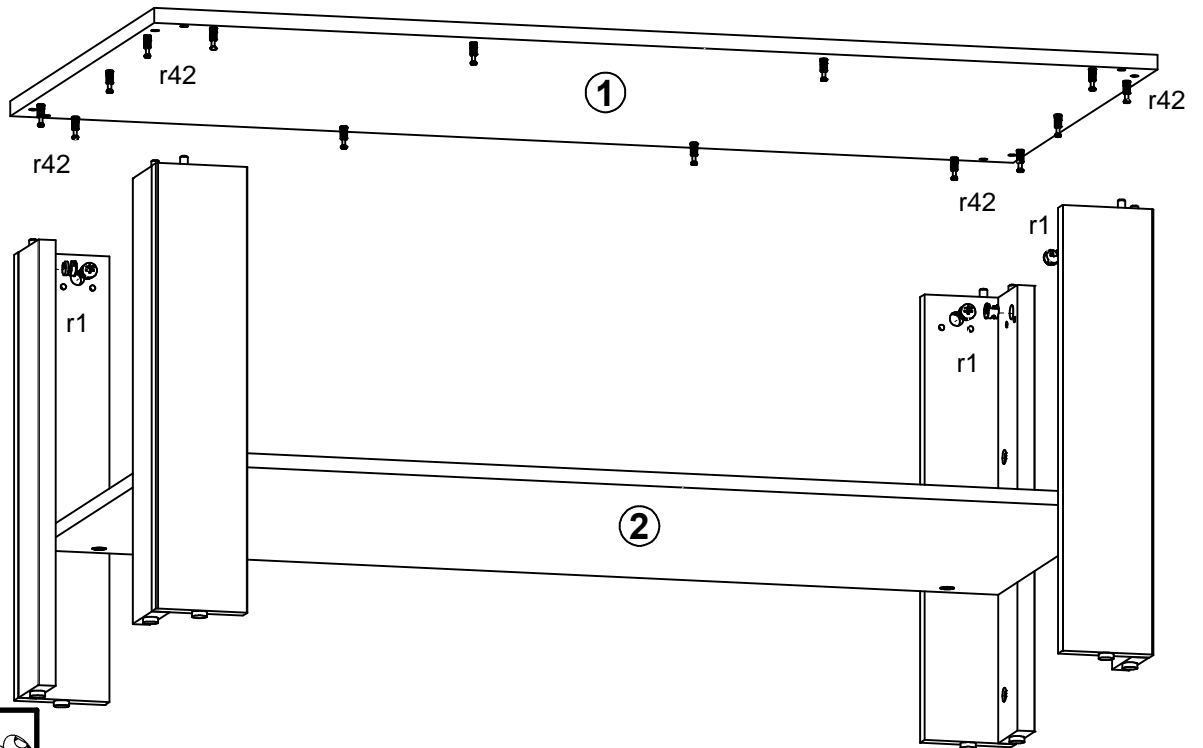
A	B	C	D
1	S311-213	1100	590
2	S311-311	1055	546
3	S311-401	1055	70
4	S311-402	516	70
5	S311-512	480	100
6	S311-513	480	80
7	S311-514	480	100
8	S311-515	480	80



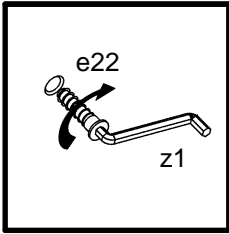
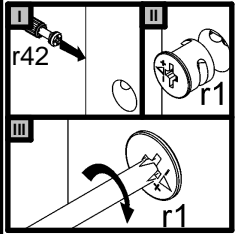
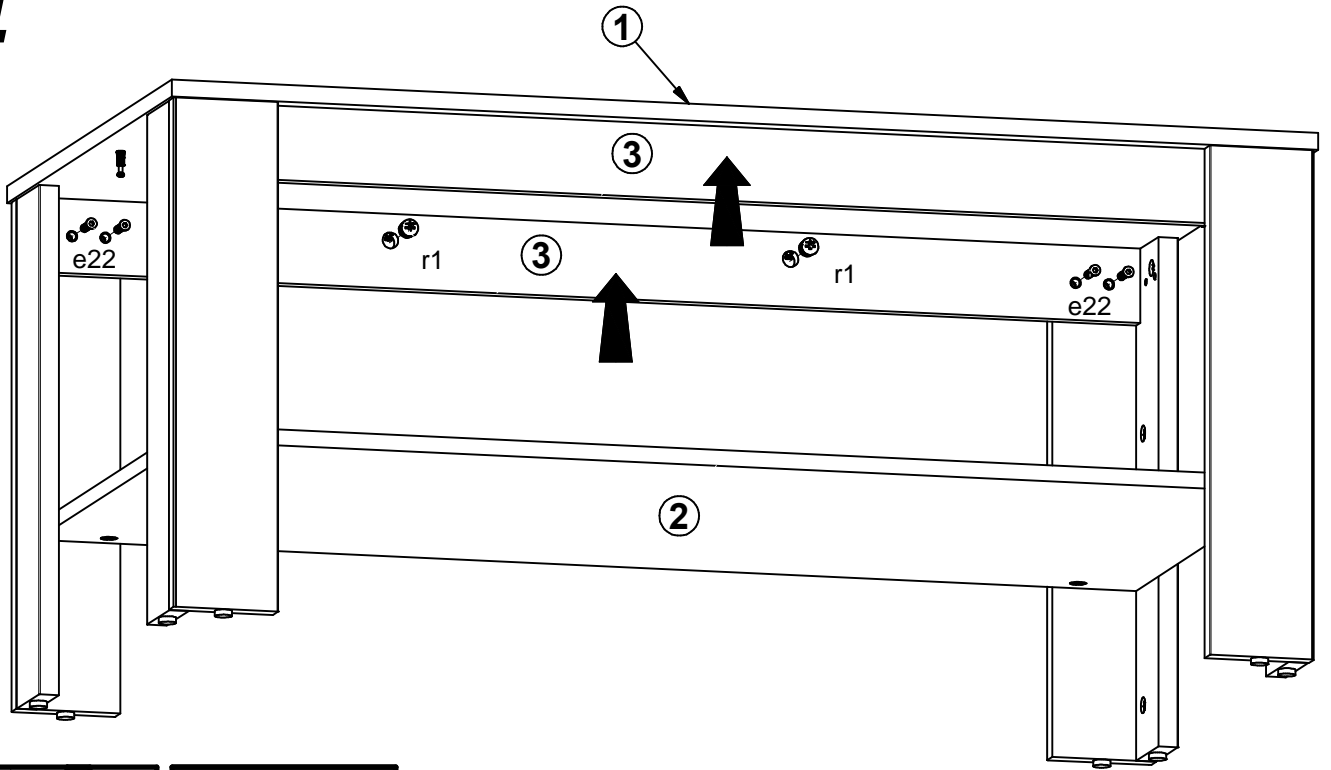
2



3



4



5

