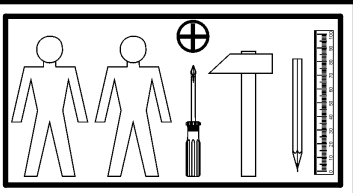
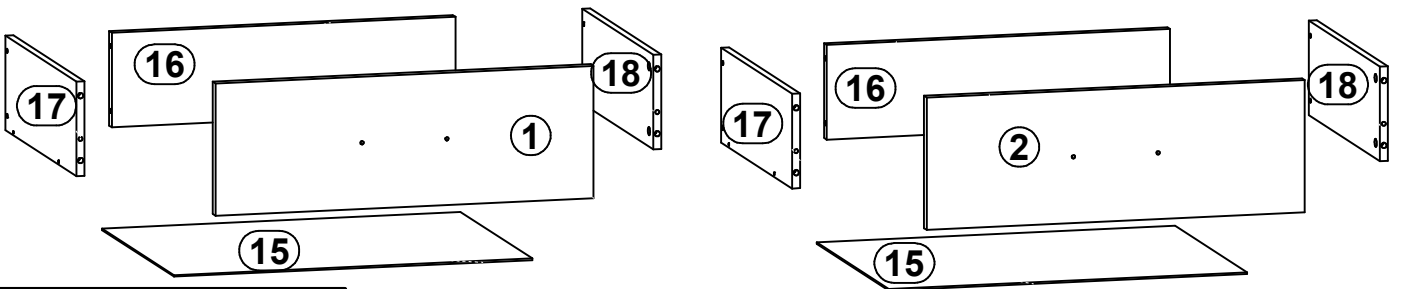
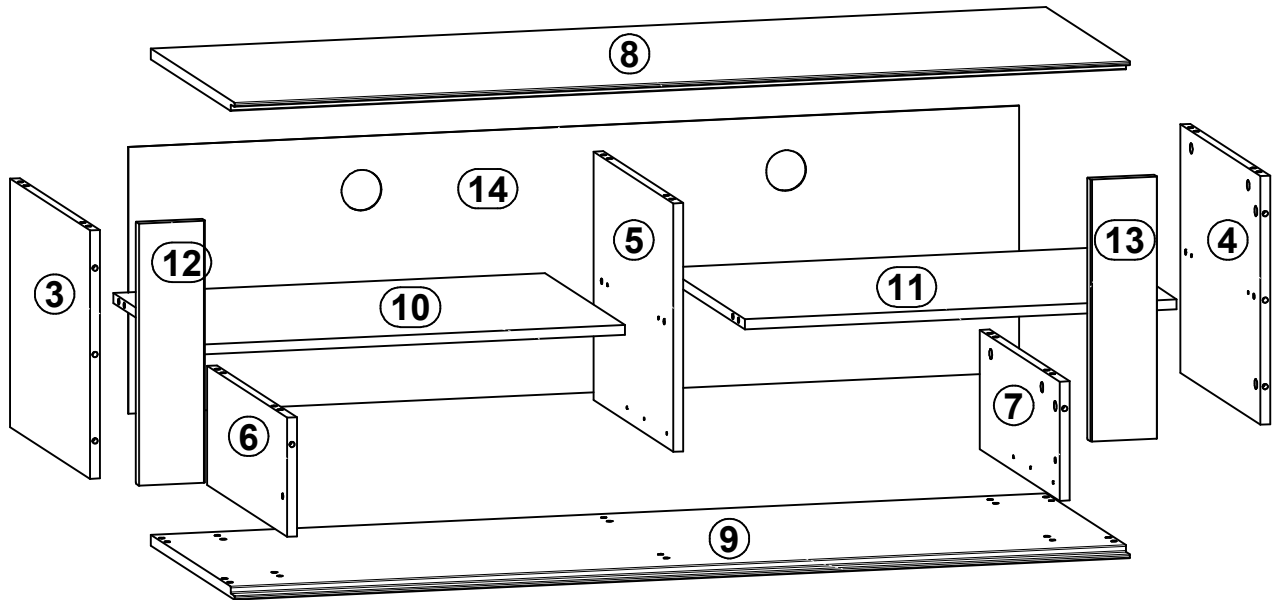
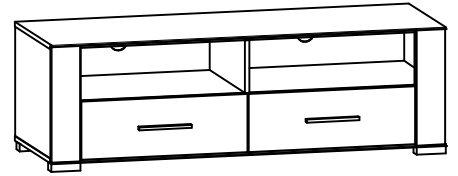
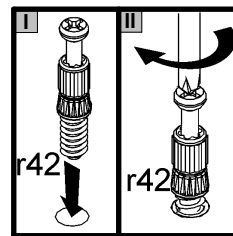
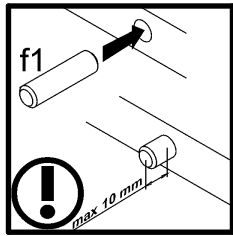
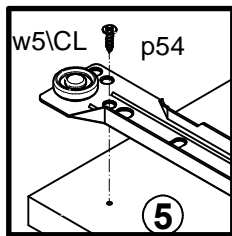
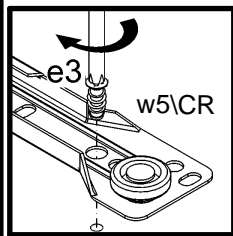
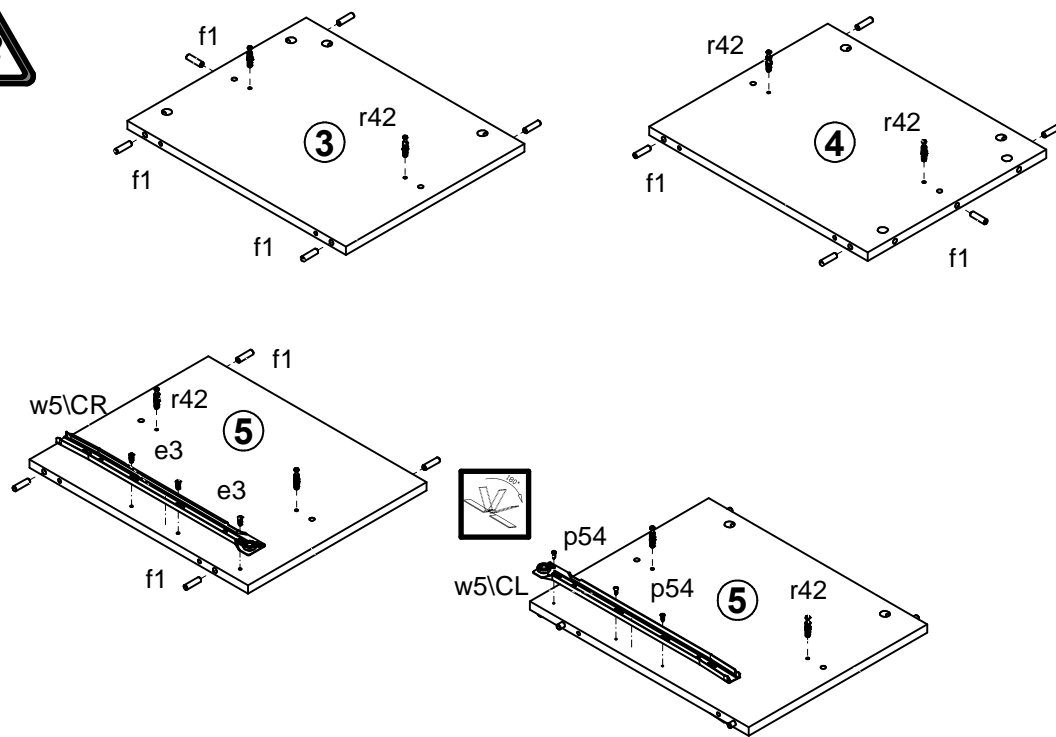


A	B	C	D	A	B	C	D		
1	S311-006	570	196	4/4	10	S311-306	651	450	1/4
2	S311-007	570	196	4/4	11	S311-307	651	450	1/4
3	S311-109	368	450	1/4	12	S311-506	388	100	3/4
4	S311-110	368	450	1/4	13	S311-507	388	100	3/4
5	S311-111	368	450	1/4	14	S311-904	395	1343	2/4
6	S311-112	176,5	450	1/4	15	S311-905	540	405	2/4
7	S311-113	176,5	450	1/4	16	ZS3-5588	518	140	1/4
8	S311-206	1350	472	2/4	17	ZS4-527	400	140	1/4
9	S311-207	1350	472	2/4	18	ZS4-528	400	140	1/4

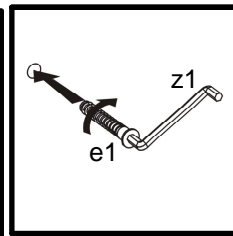
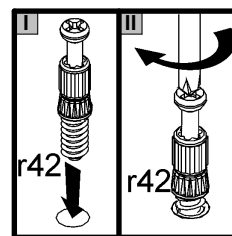
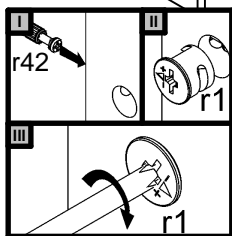
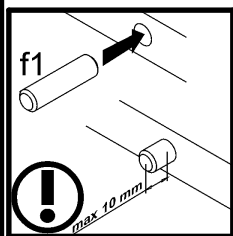
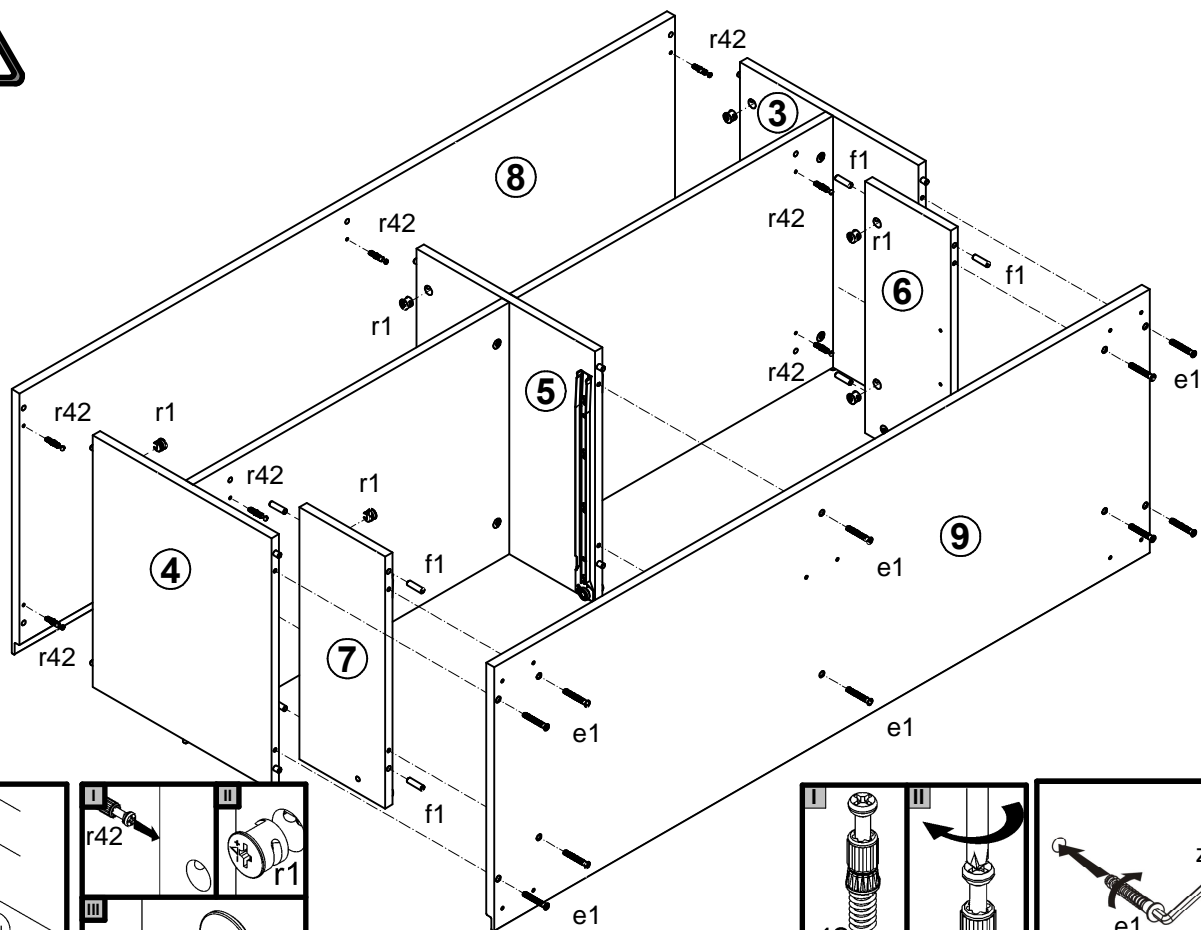


2x 128mm c392	10x Ø7x50 mm e1	8x Ø5x9 mm e19	9x Ø6x13 mm e3	10x Ø6x22 mm e31	30x Ø8x30 mm f1	8x Ø6,5x40 mm f25	4x Ø6x30 mm f9
5x k87	55x l1	8x Ø3,5x16 mm p38	3x Ø3x12 mm p54	4x Ø4x25 mm p87	24x Ø15x12 mm #16 r1	8x Ø12x10,5 mm #12 r15	32x r42
2x 400 mm w5\CL	2x 400 mm w5\CR	2x 400 mm w5\DL	2x 400 mm w5\DR	1x z1	1x n26\1	1x Ø3,5x16 mm p38	10x Ø16 s2

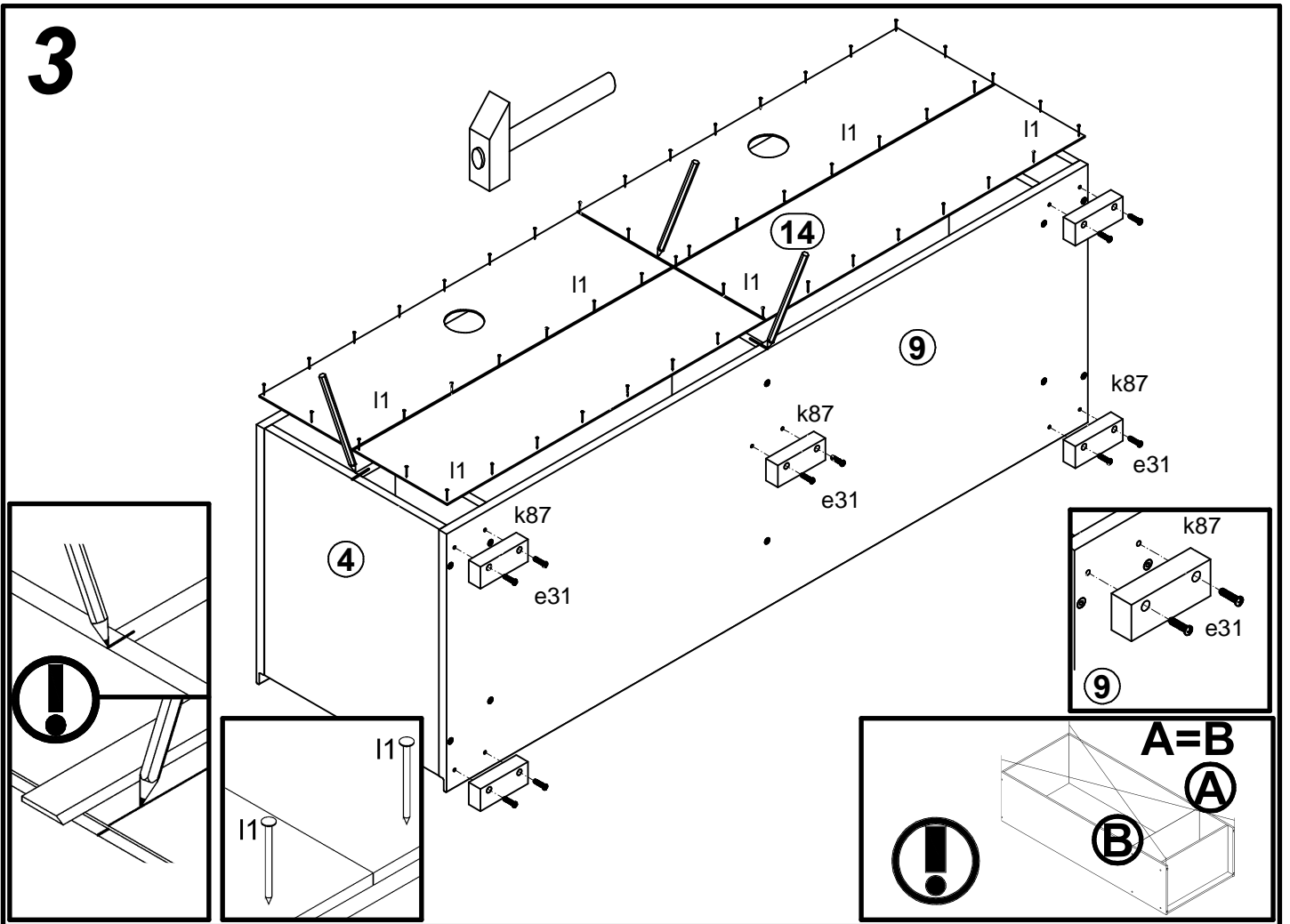
1



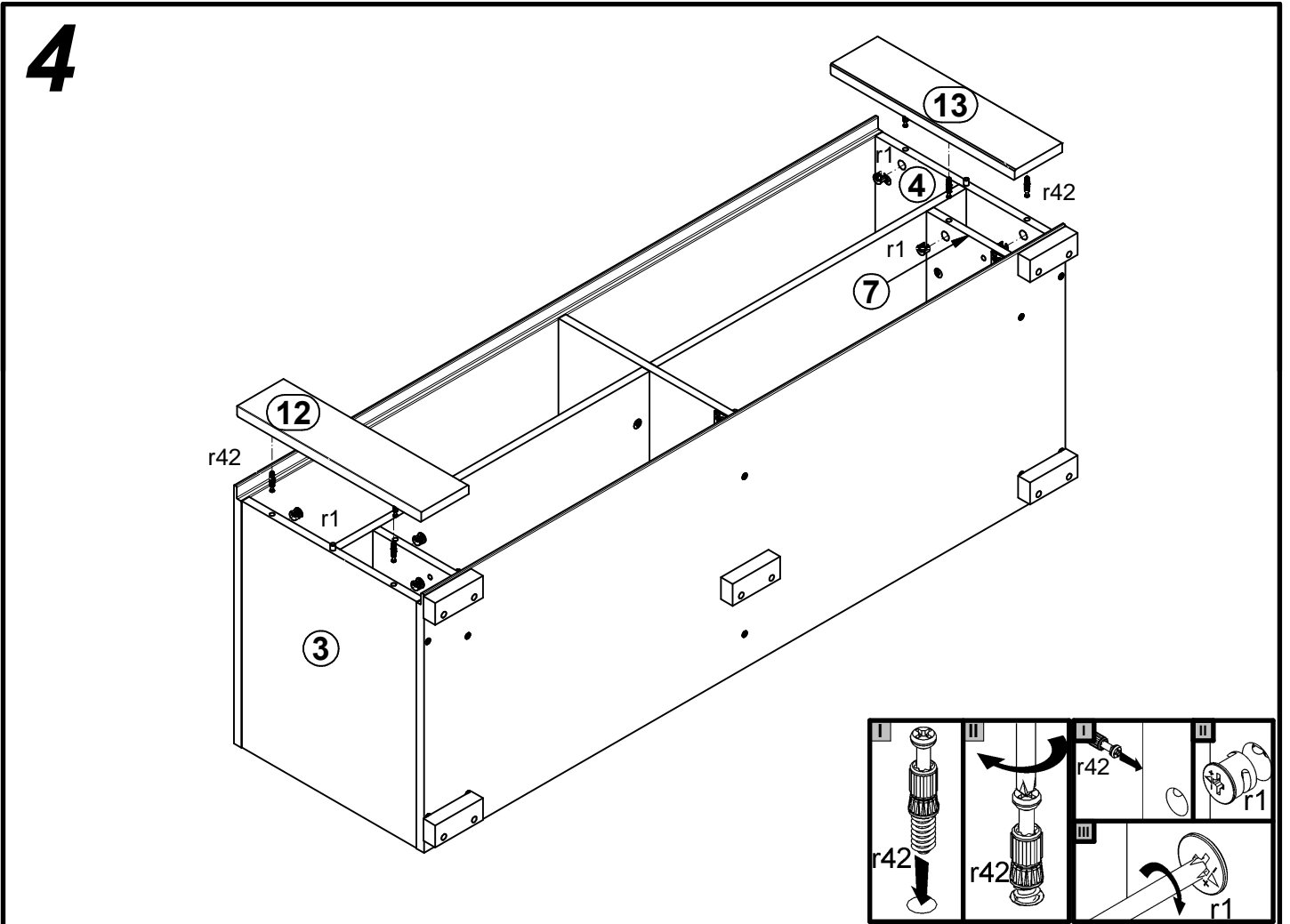
2



3



4



5

