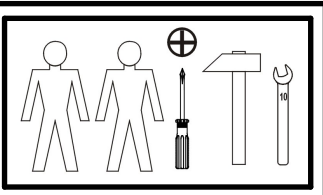
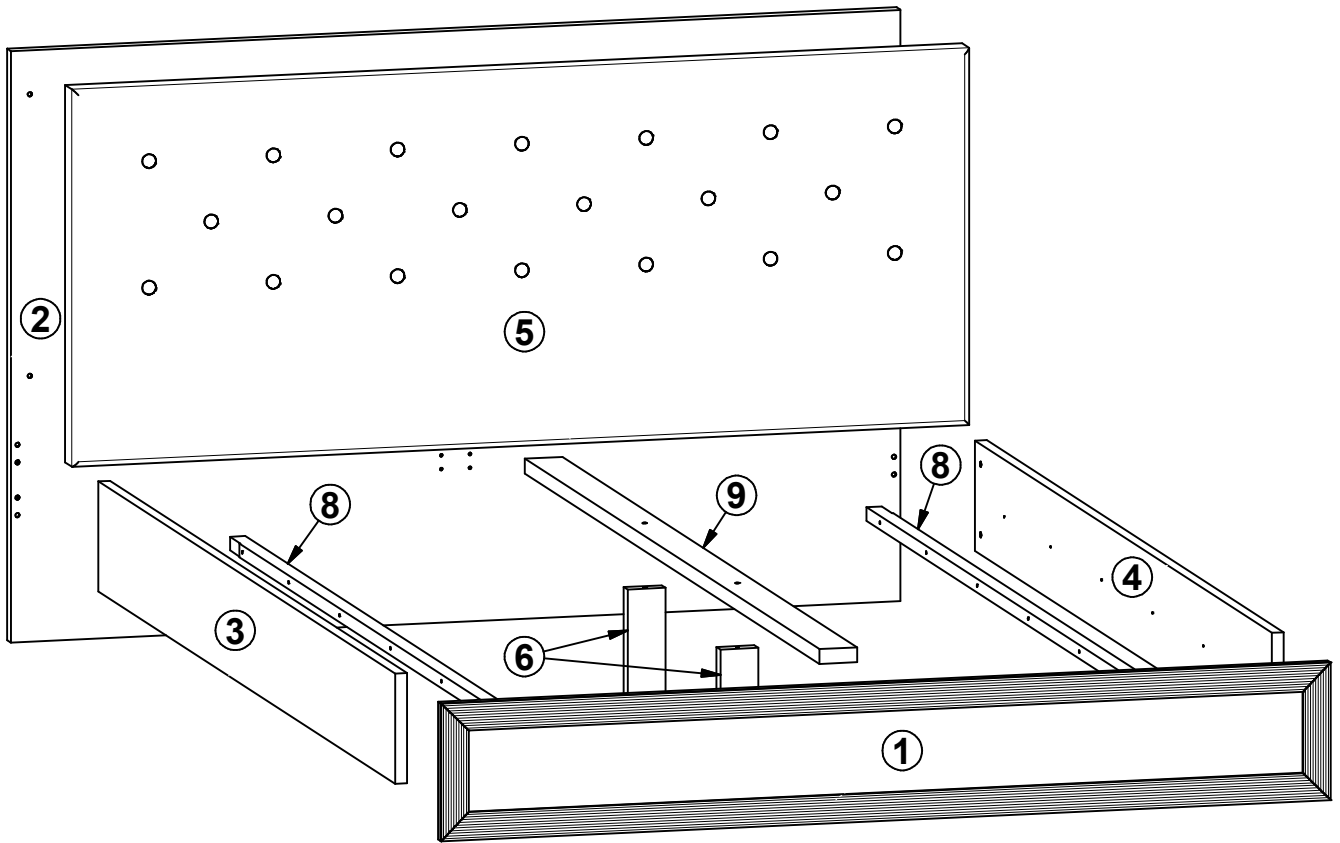
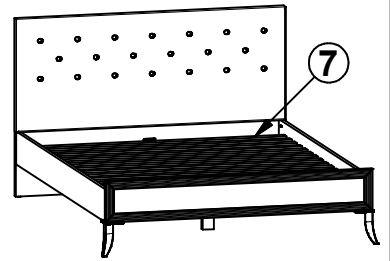
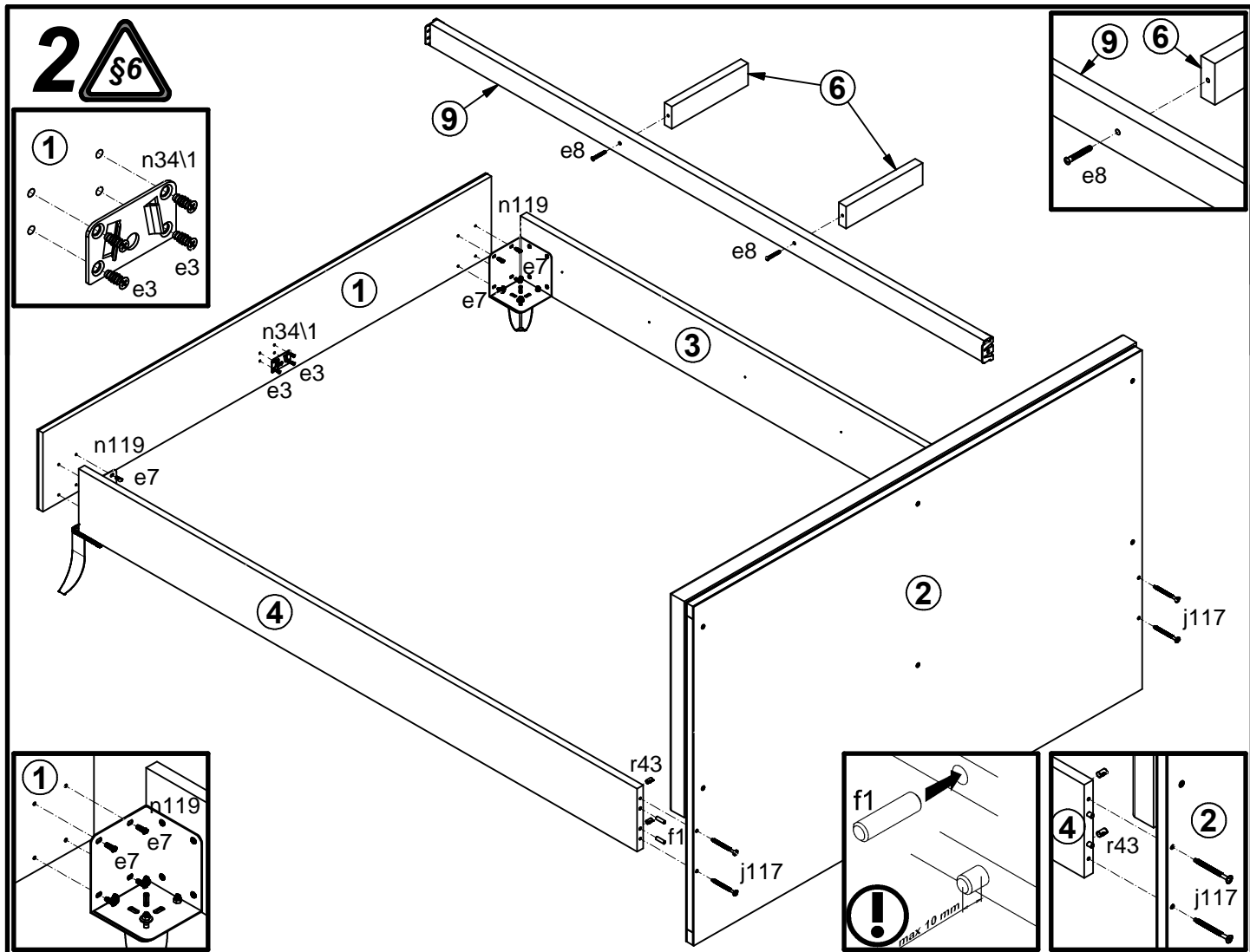
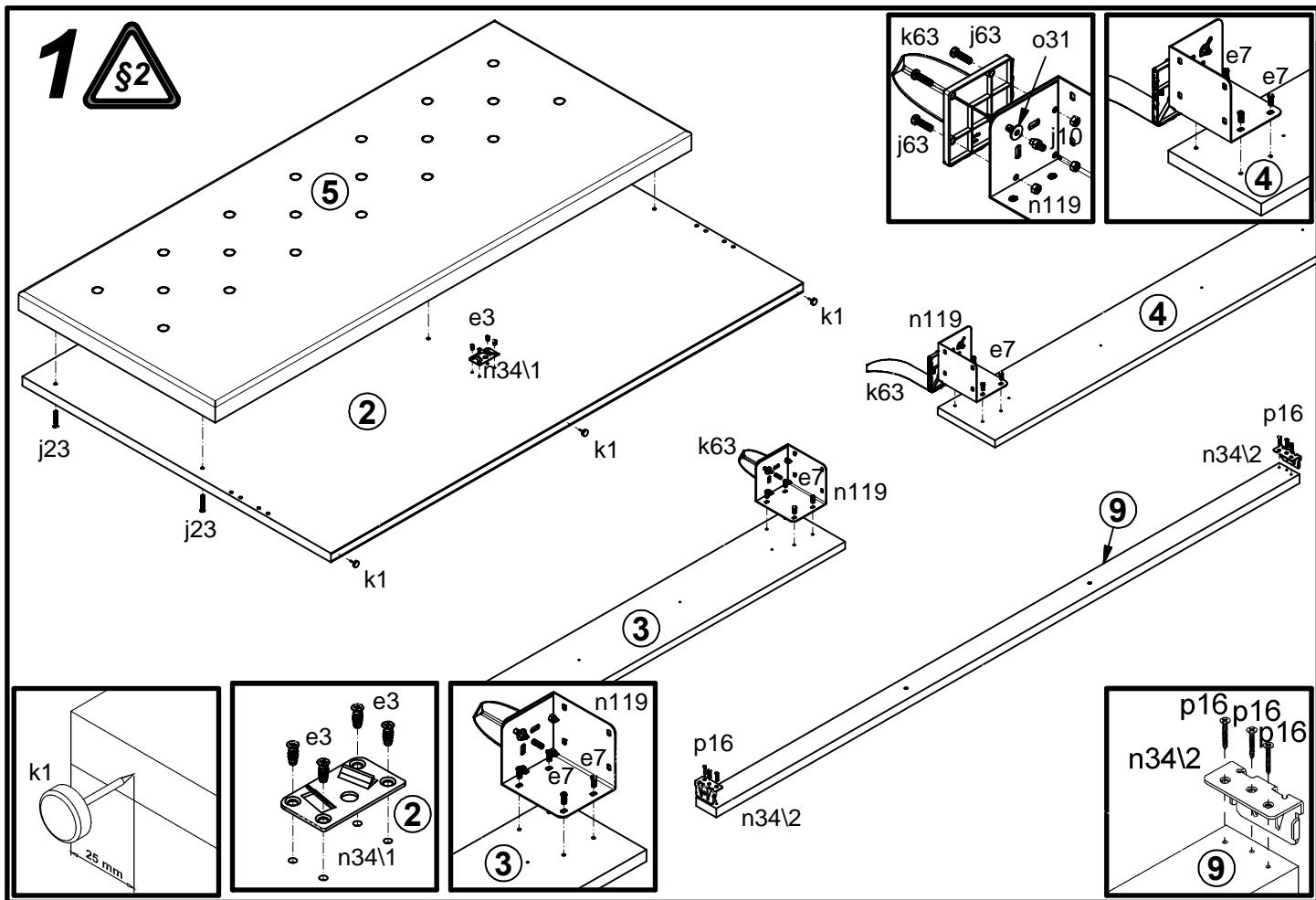


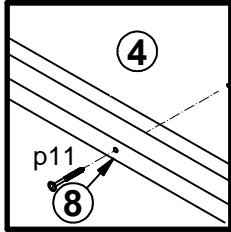
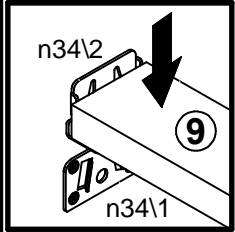
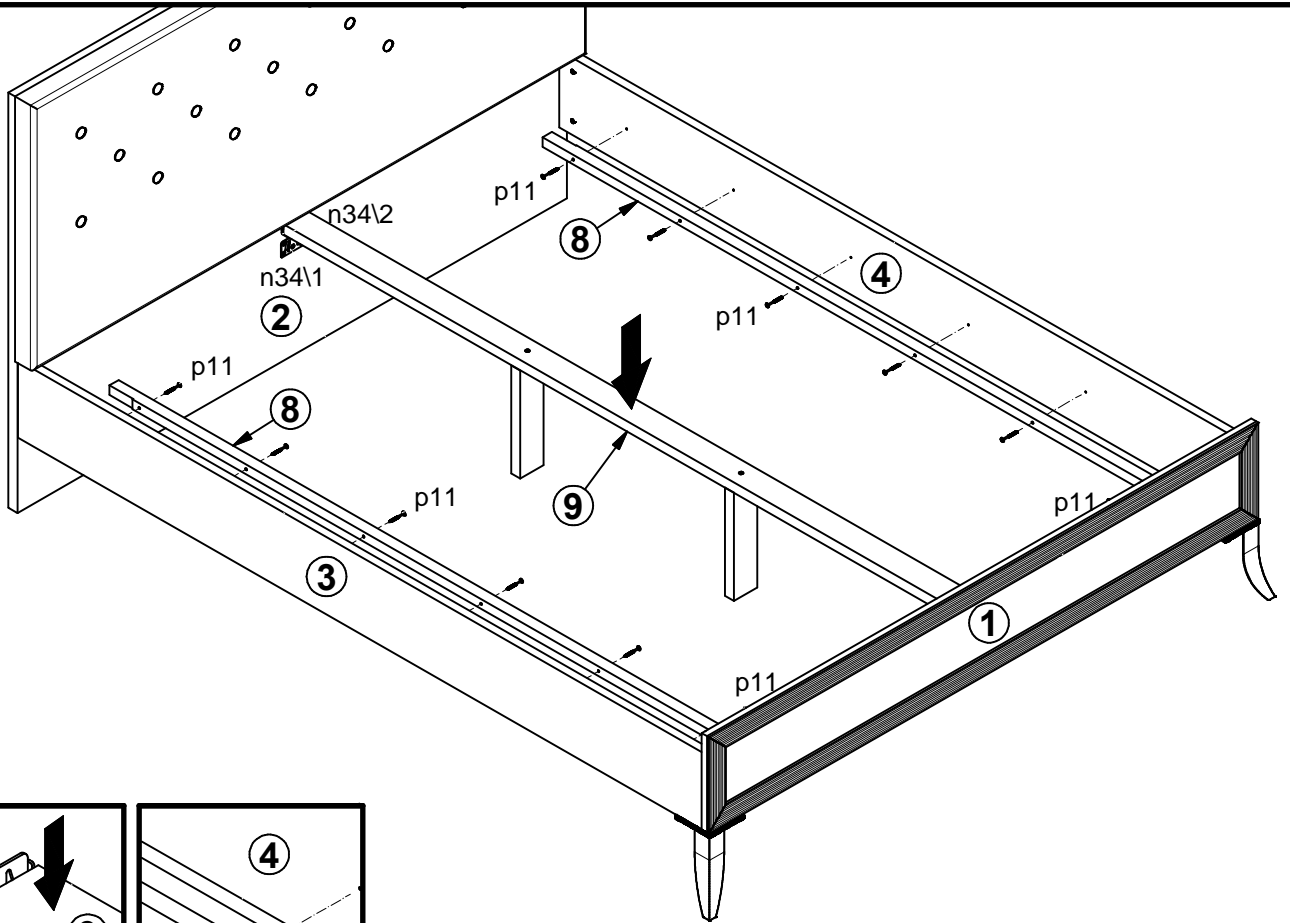
A	B	C		D
1	S81-001	1646	250	1/5
2	S81-002	1646	1075	2/5
3	S81-105	2050	200	3/5
4	S81-106	2050	200	3/5
5	S81-408	1660	686	4/5
6	ZZ1-419	280	70	3/5
7	ZZ1-501	1872	1578	1/1
8	ZZ1-725	1880	30	3/5
9	ZZ1-729	2033	70	3/5



8x φ6x13 mm e3	16x φ6.3x16 mm e7	2x φ7x60 mm e8	4x φ8x30 mm f1	8x M6 j10	4x M6x84 mm j117	6x M6x45 mm j23	8x M6x25 mm j63	3x k1
2x k63	2x n119	2x n34/1	2x n34/2	2x φ6.5xø18x1.5 mm o31	12x φ4x45 mm p11	6x φ3.5x25 mm p16	6x φ4x35 mm p6	4x ø10x16mm r43
1x z1								



3



4

