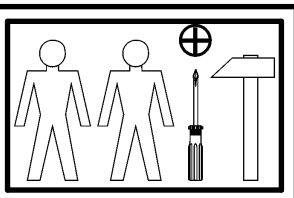
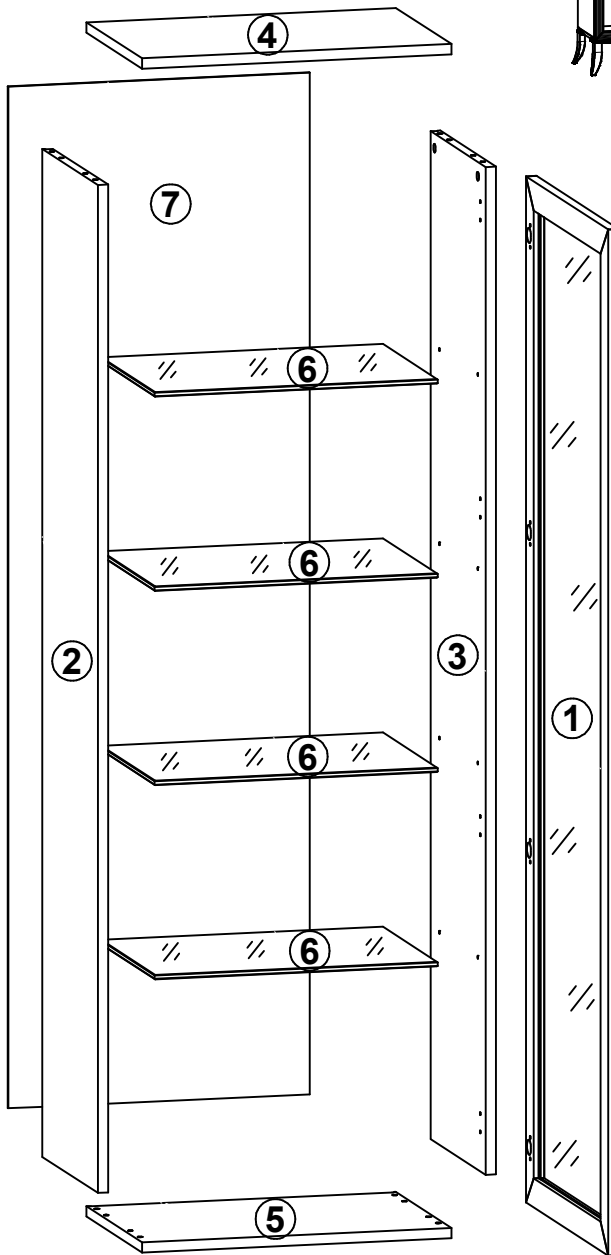
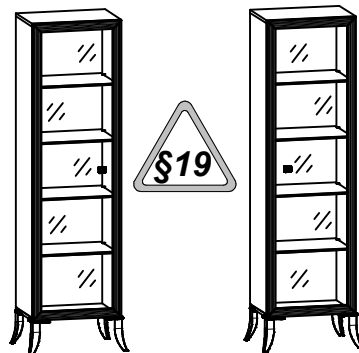
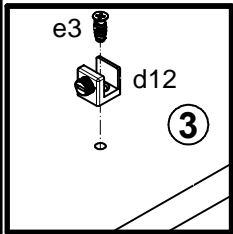
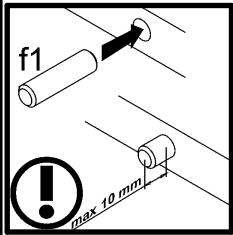
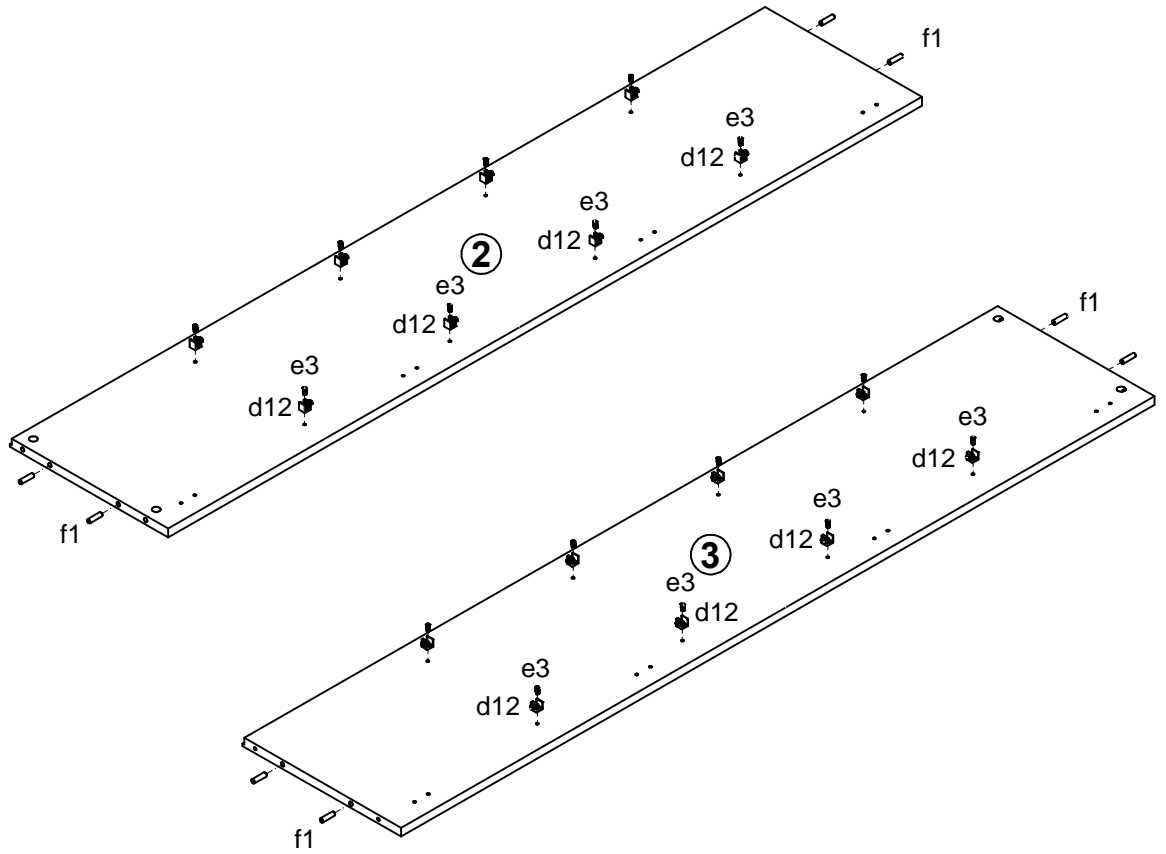


A	B	C	D
1	S81-012	1796	546
2	S81-123	1764	371
3	S81-124	1764	371
4	S81-215	551	371
5	S81-216	551	371
6	S81-551	504	361
7	S81-913	1788	537

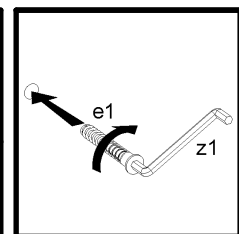
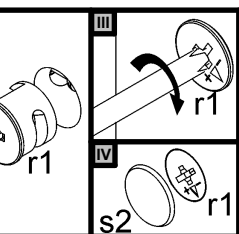
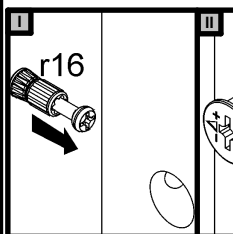
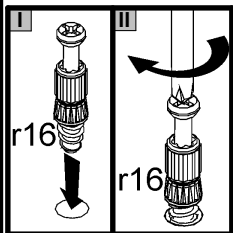
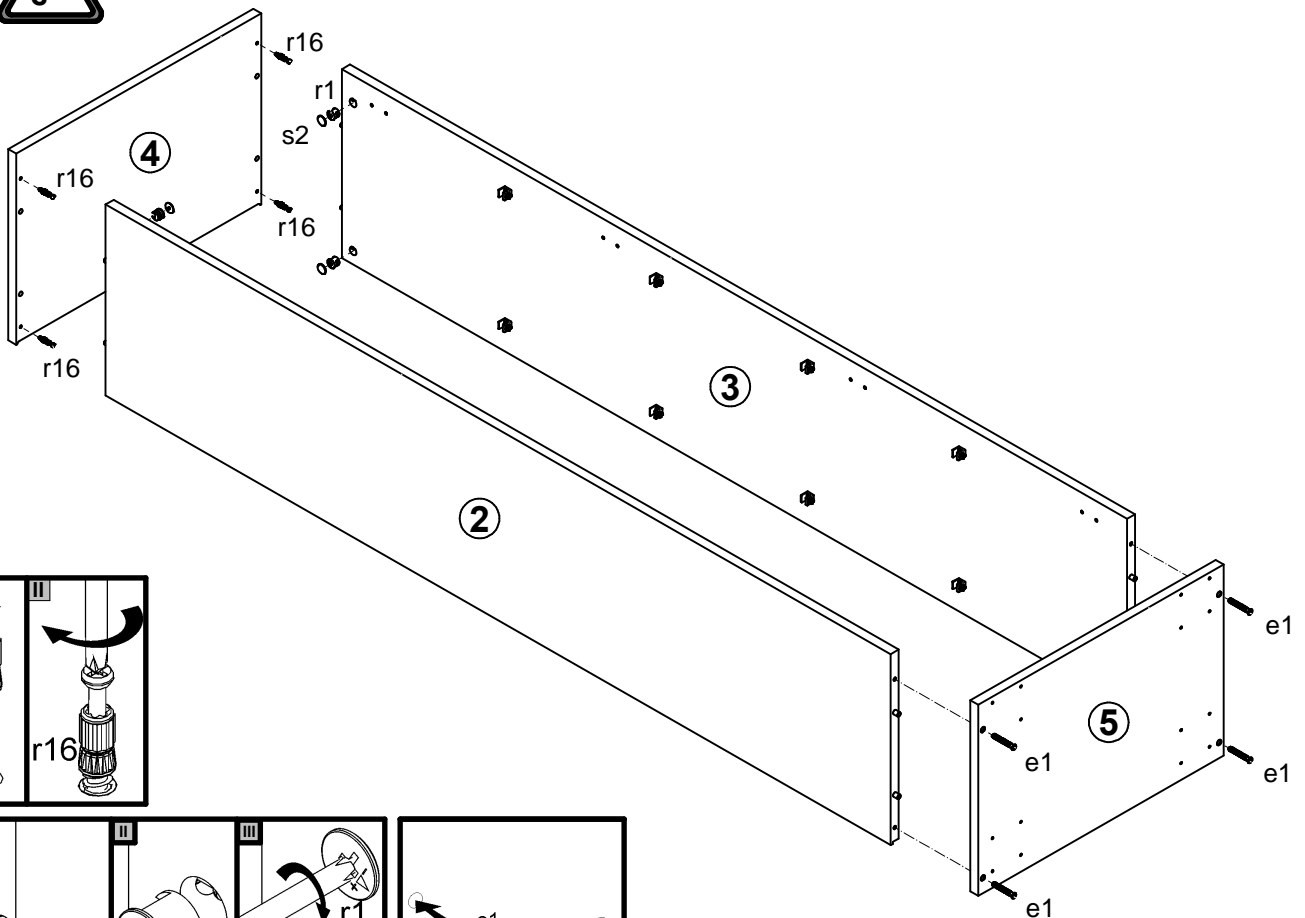


4x a2	4x b1	1x c236\2	16x d12	4x e1 φ7x50 mm	16x e20 φ6x20 mm	16x e3 φ6x13 mm	8x f1 φ8x30 mm	1x j106 M4x10 mm
4x k63	50x l1	1x o27 φ6,5φ10x5,2mm	4x r1 φ15x12mm #16	4x r16	4x s2 φ16	1x z1	1x n26\1	1x p38 φ3,5x16 mm

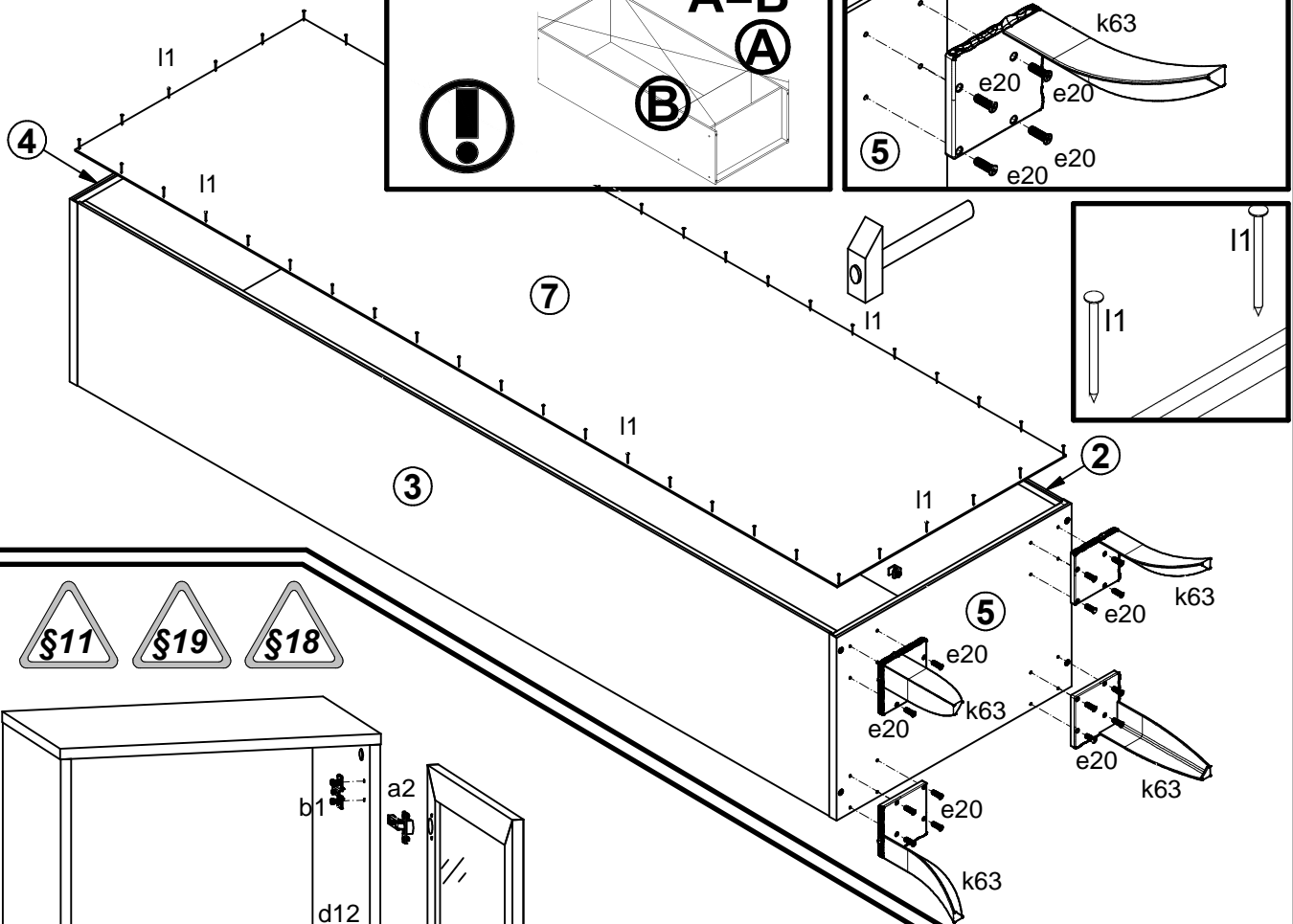
1 



2 



3



4

