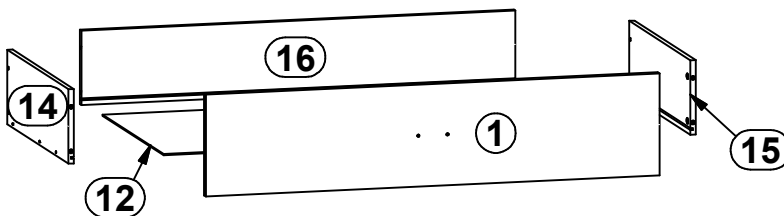
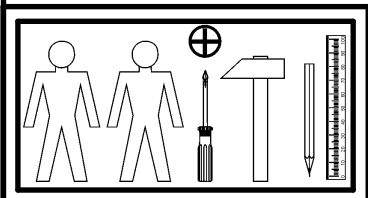
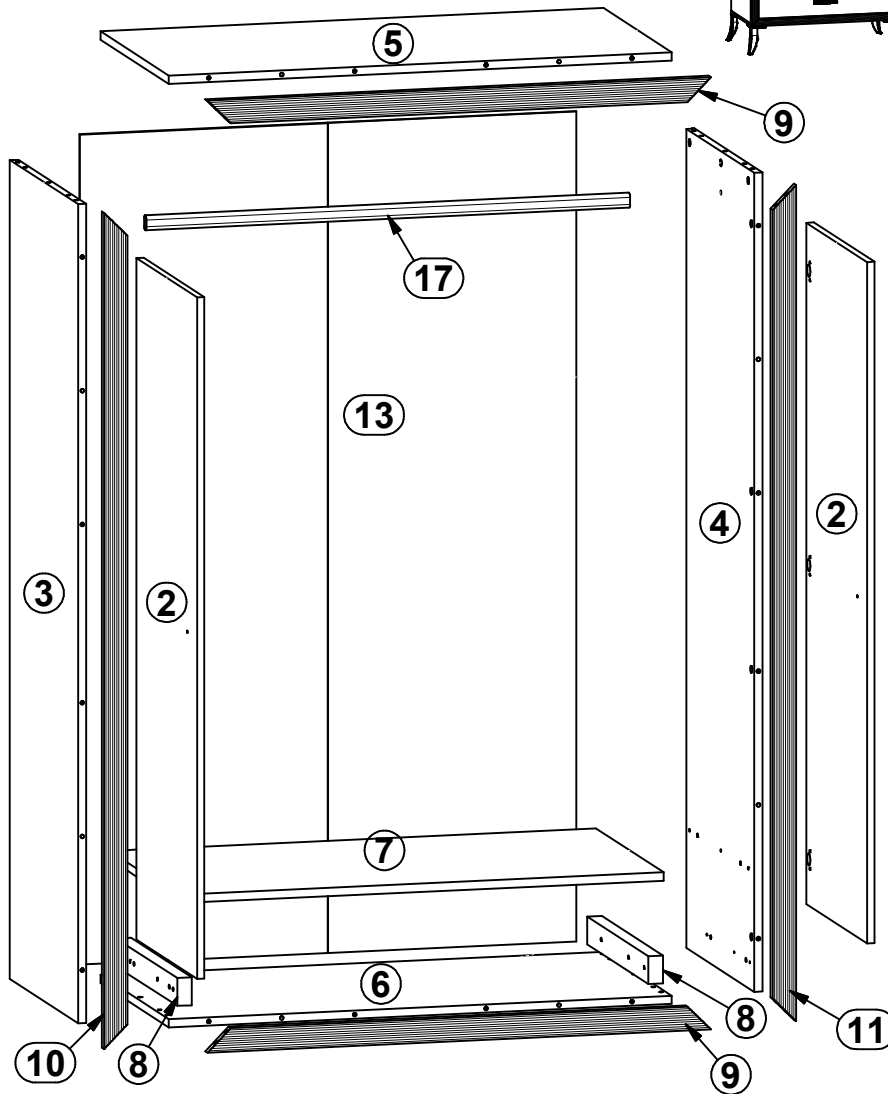
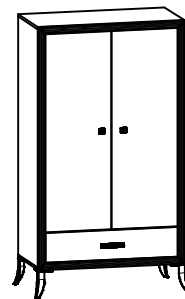
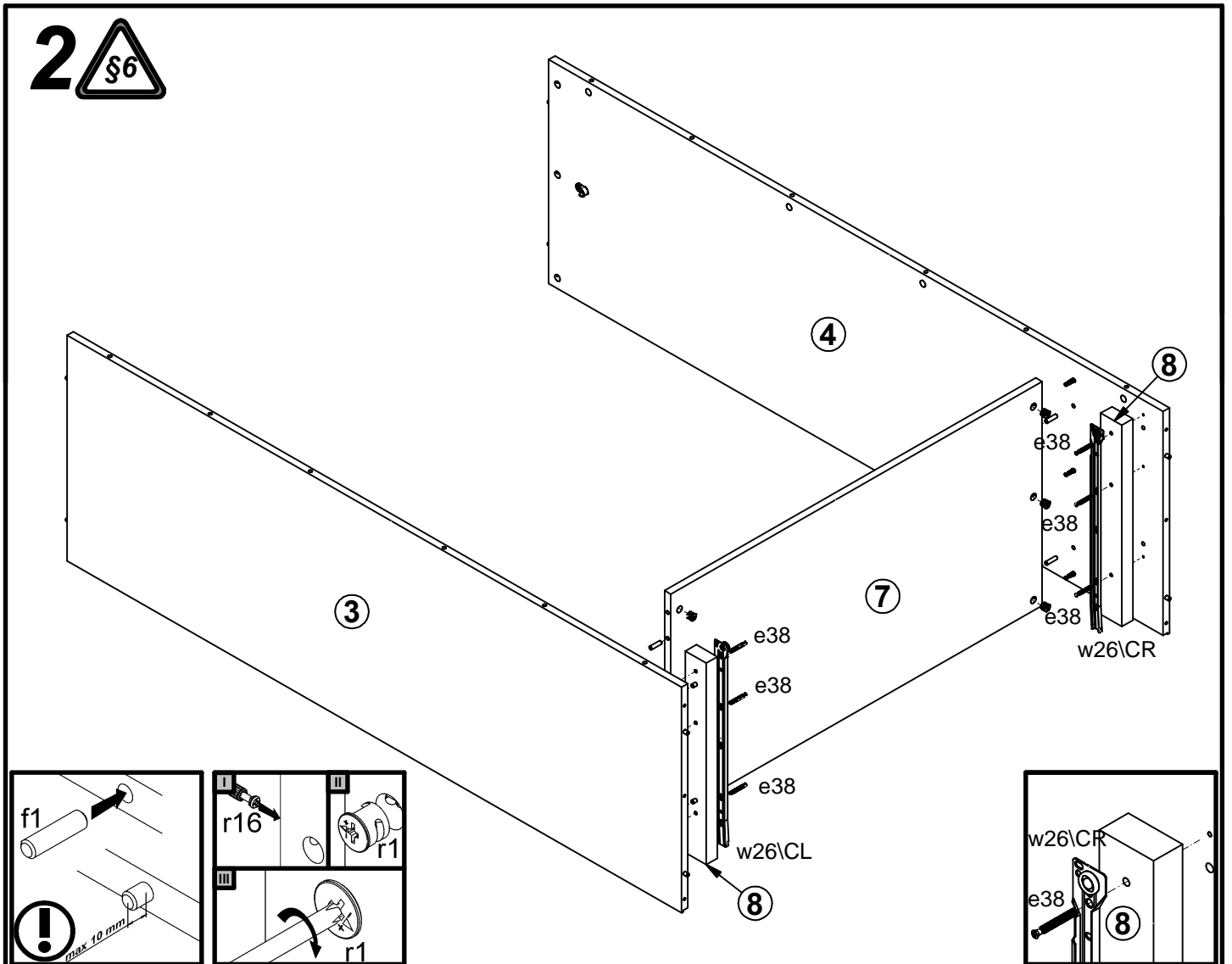
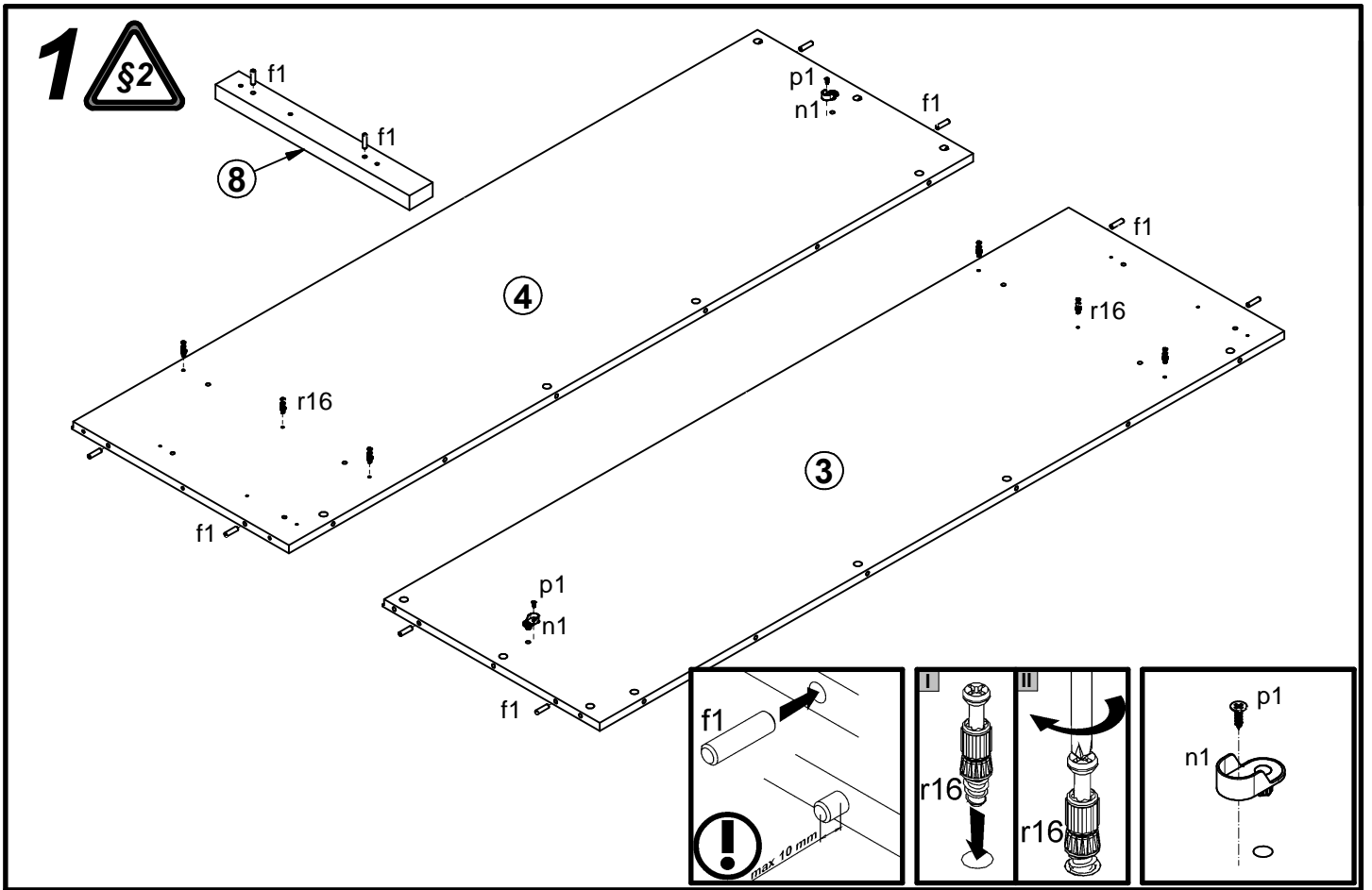
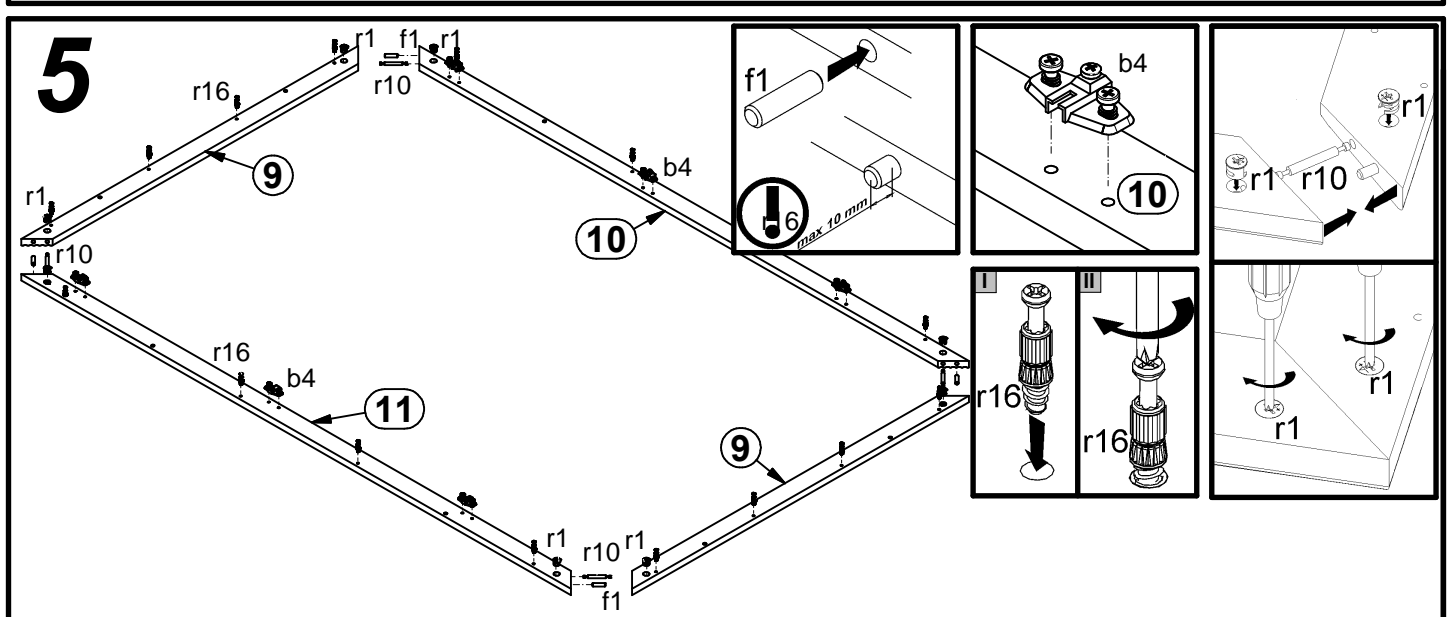
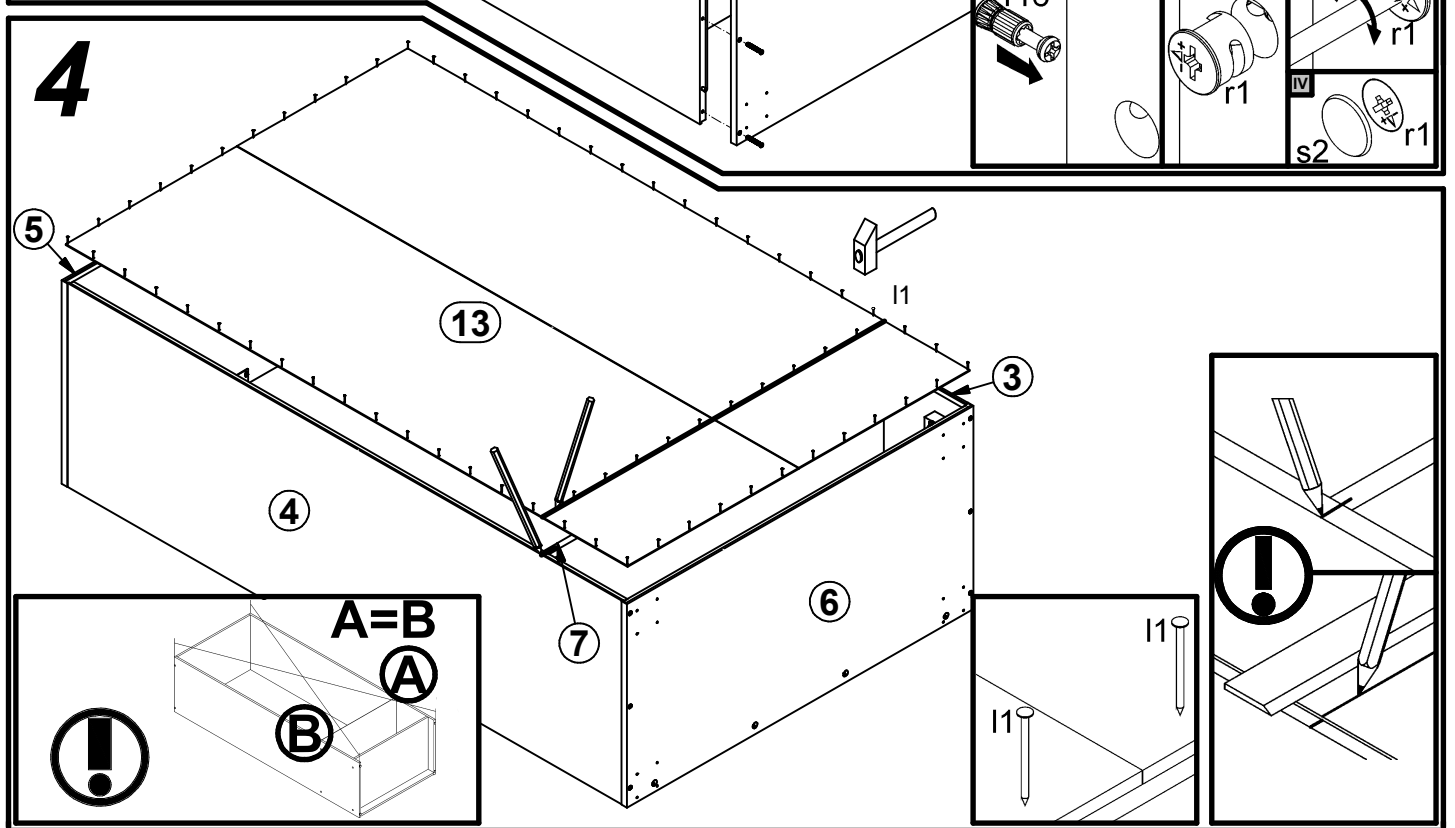
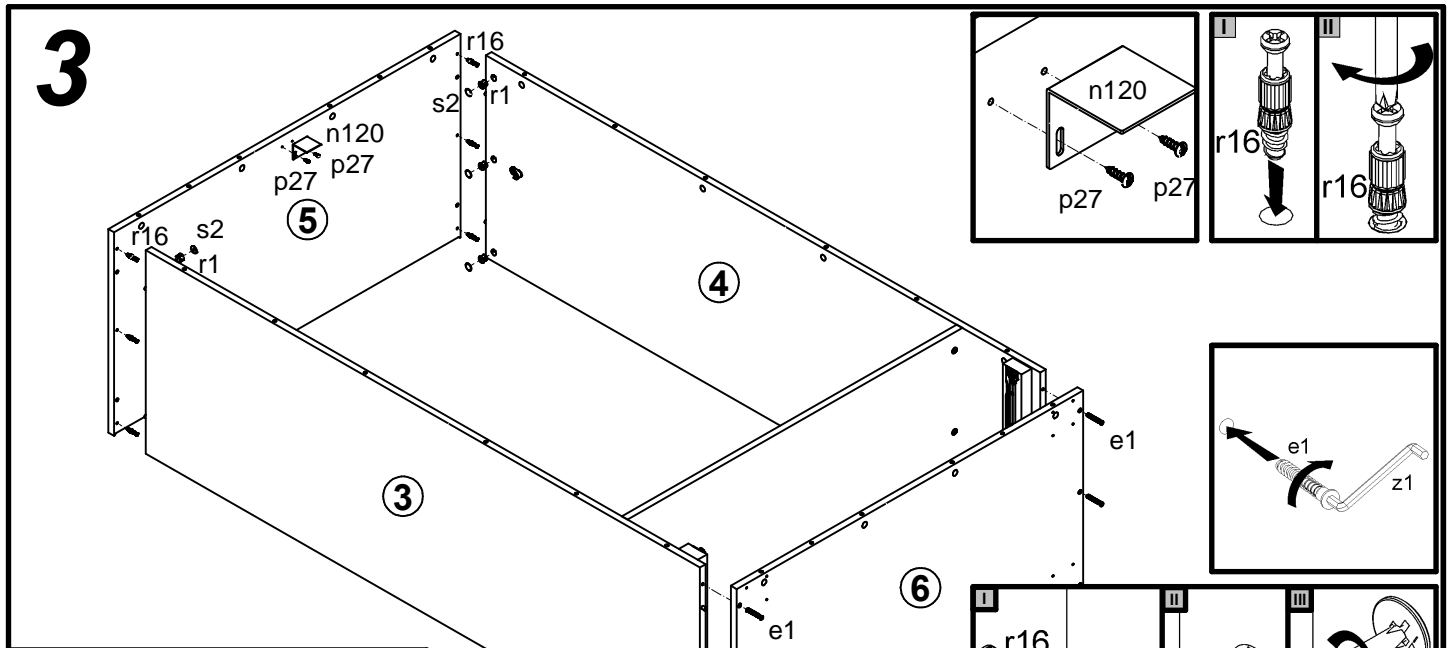


| A | B | C | D | |
|----|----------|------|------|-----|
| 1 | S81-007 | 995 | 220 | 5/5 |
| 2 | S81-009 | 1468 | 496 | 5/5 |
| 3 | S81-113 | 1764 | 560 | 1/5 |
| 4 | S81-114 | 1764 | 560 | 1/5 |
| 5 | S81-207 | 1103 | 560 | 2/5 |
| 6 | S81-208 | 1103 | 560 | 2/5 |
| 7 | S81-307 | 1066 | 556 | 2/5 |
| 8 | S81-402 | 500 | 60 | 2/5 |
| 9 | S81-579 | 1104 | 51 | 3/5 |
| 10 | S81-582 | 1801 | 51 | 3/5 |
| 11 | S81-583 | 1801 | 51 | 3/5 |
| 12 | S81-908 | 963 | 498 | 1/5 |
| 13 | S81-909 | 1788 | 1089 | 1/5 |
| 14 | ZS1-507 | 500 | 160 | 2/5 |
| 15 | ZS1-508 | 500 | 160 | 2/5 |
| 16 | ZS1-6522 | 952 | 160 | 2/5 |
| 17 | dr-1061 | 1061 | 30 | 2/5 |

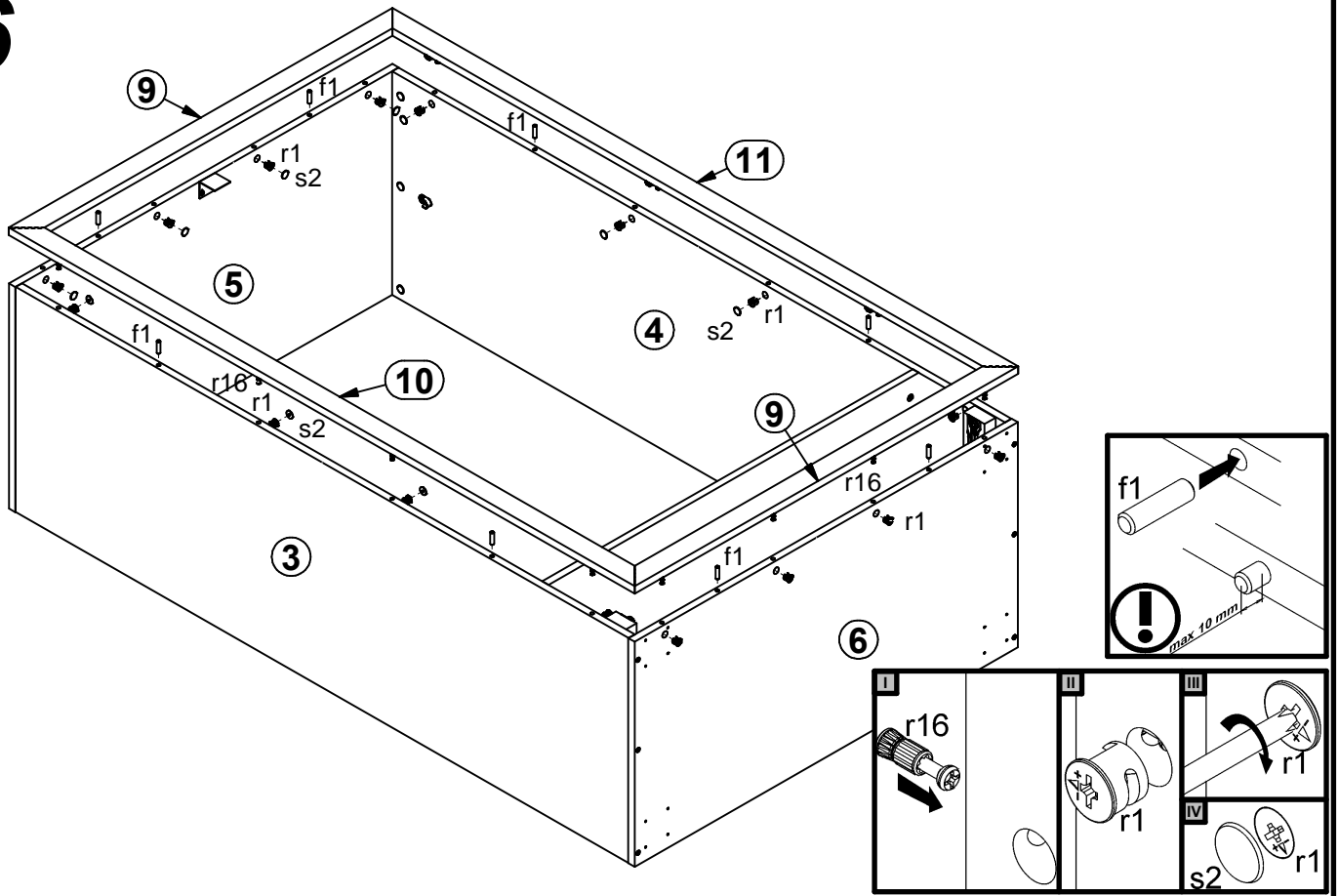


| | | | | | | | | |
|-----------------------|-----------------------|--------------------------|---------------------|---------------------------|-----------------------|--------------------|-------------------------|----------------------|
| 6x a11 | 6x b4 | 2x c236\1 | 1x c237 | 6x e1 φ7x50 mm | 12x e2 φ6,3x13 mm | 6x e19 φ5x9 mm | 16x e20 φ6x20 mm | 12x e3 φ6x13 mm |
| 6x e38 φ6x45 mm | 28x f1 φ8x30 mm | 4x f25 φ6,5x40 mm | 4x j30 M4x22 mm | 4x k63 | 70x l1 | 2x n1 | 1x n120 40x45x1,5mm | 2x p1 φ3,5x13 mm |
| 2x p25 φ3,5x16 mm | 2x p27 φ3,5x13 mm | 36x r1 φ1,5x12mm #16 | 4x r10 | 4x r15 φ12x10,5mm #12 | 32x r16 | 16x s2 ø16 | 1x t17 483 mm | 1x w26\CL 500 mm |
| 1x w26\CR 500 mm | 1x w26\DL 500 mm | 1x w26\DR 500 mm | 1x z1 | 1x n26\1 | 1x p38 φ3,5x16 mm | | | |





6



7

