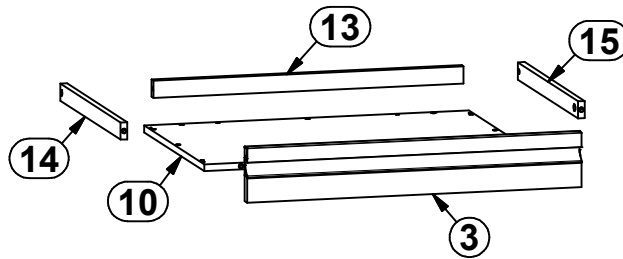
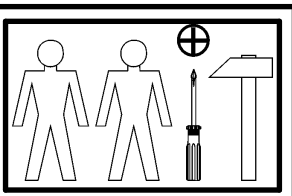
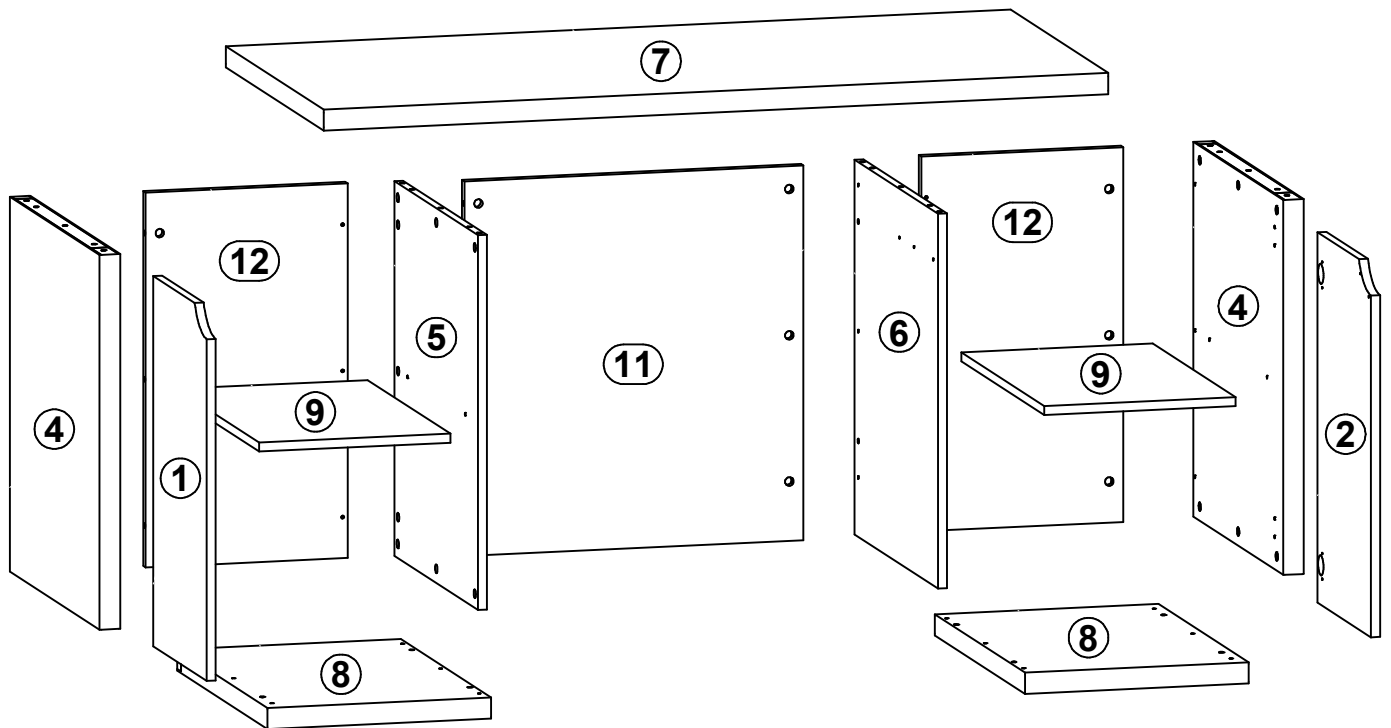
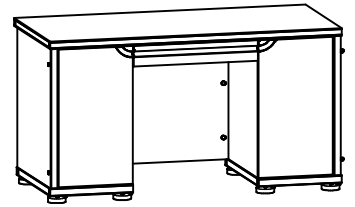


# SMILE

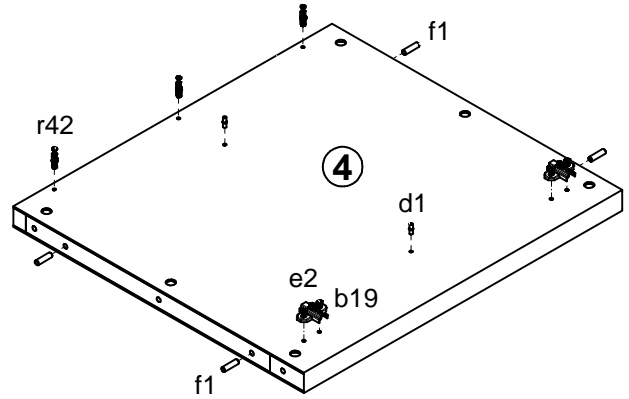
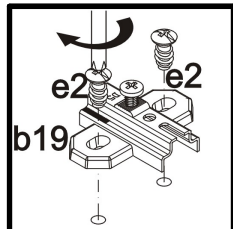
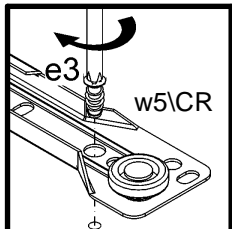
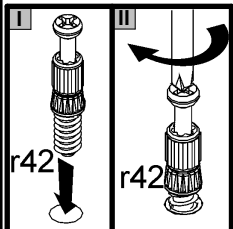
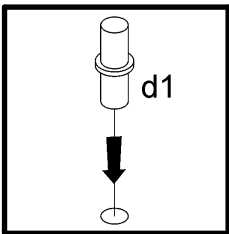
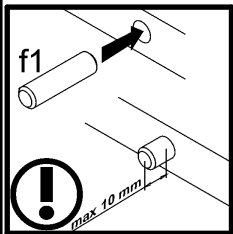
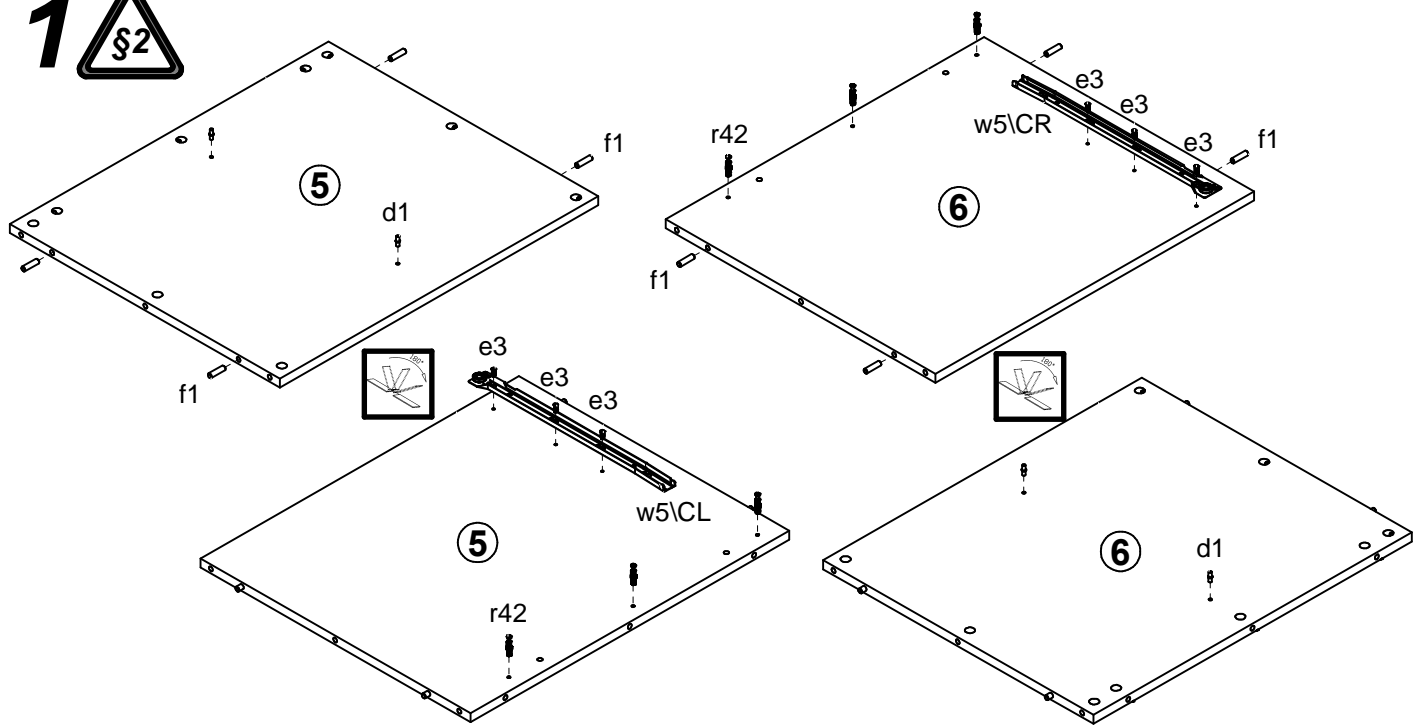
## S72-BIU2D1S

A	B	C	D	
1	S72-024	648	356	4/4
2	S72-025	648	356	4/4
3	S72-028	596	96	4/4
4	S72-132	656	598	3/4
5	S72-133	656	556	1/4
6	S72-134	656	556	1/4
7	S72-230	1398	650	2/4
8	S72-231	398	600	3/4
9	S72-316	341	550	1/4
10	S72-317	579	400	1/4
11	S72-413	656	604	1/4
12	S72-414	656	360	1/4
13	S72-415	553	30	1/4
14	S72-416	400	30	1/4
15	S72-417	400	30	1/4

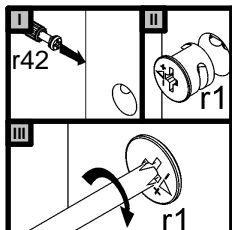
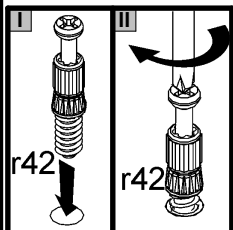
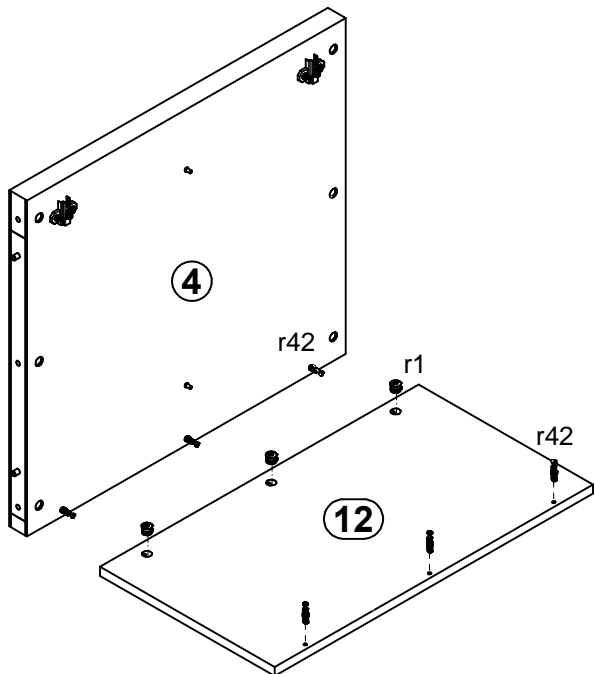


4x  a43	4x  b19	1x  c231\1L	1x  c231\1P	1x  c231\2L	1x  c231\2P	8x  φ5x17 mm d1	8x  φ6,3x13 mm e2	7x  φ7x28 mm e22
6x  φ6x13 mm e3	20x  φ8x30 mm f1	8x  φ6x30 mm f9	8x  k62\1	8x  k62\2	4x  φ3,5x13 mm p1	4x  φ2,5x13 mm p15	12x  φ3,5x15 mm p51	42x  φ1,5x12mm #16 r1
5x  φ12x10,5mm #12 r15	47x  r42	24x  ø16 s2	12x  ø15 s51	1x  400 mm w5\CL	1x  400 mm w5\CR	1x  400 mm w5\DL	1x  400 mm w5\DR	1x  z1

# 1

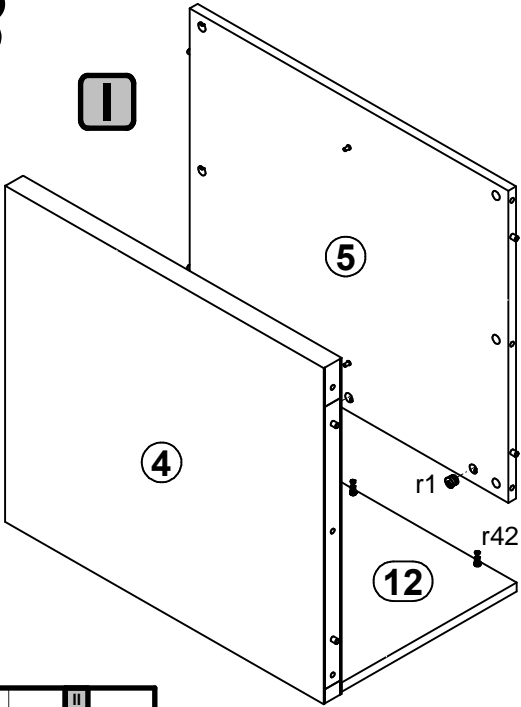


# 2

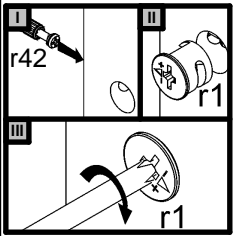
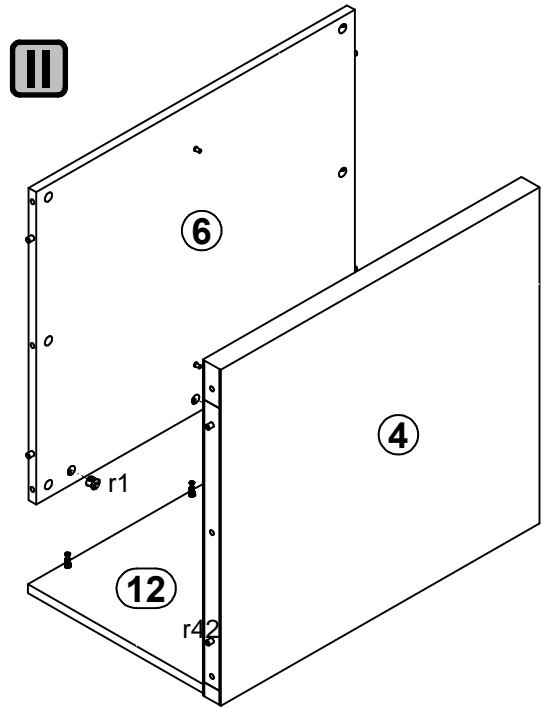


# 3

## I

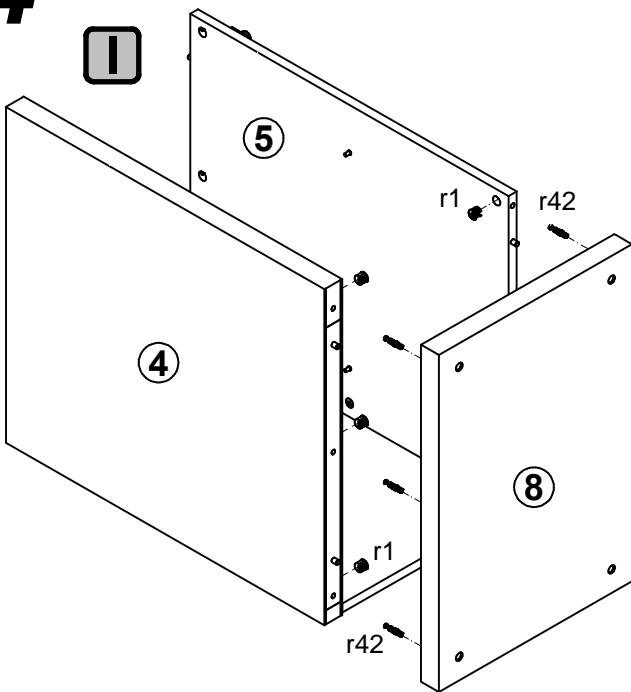


## II

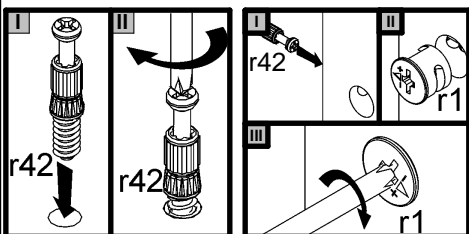
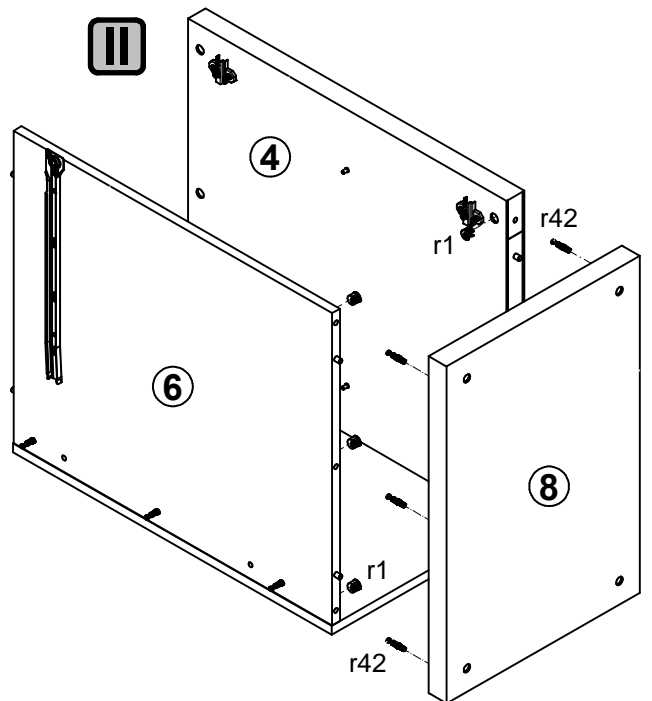


# 4

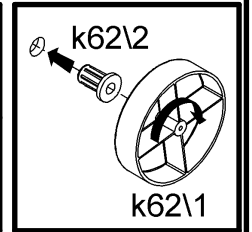
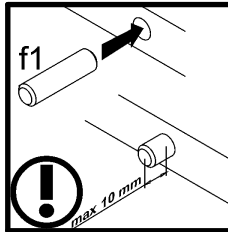
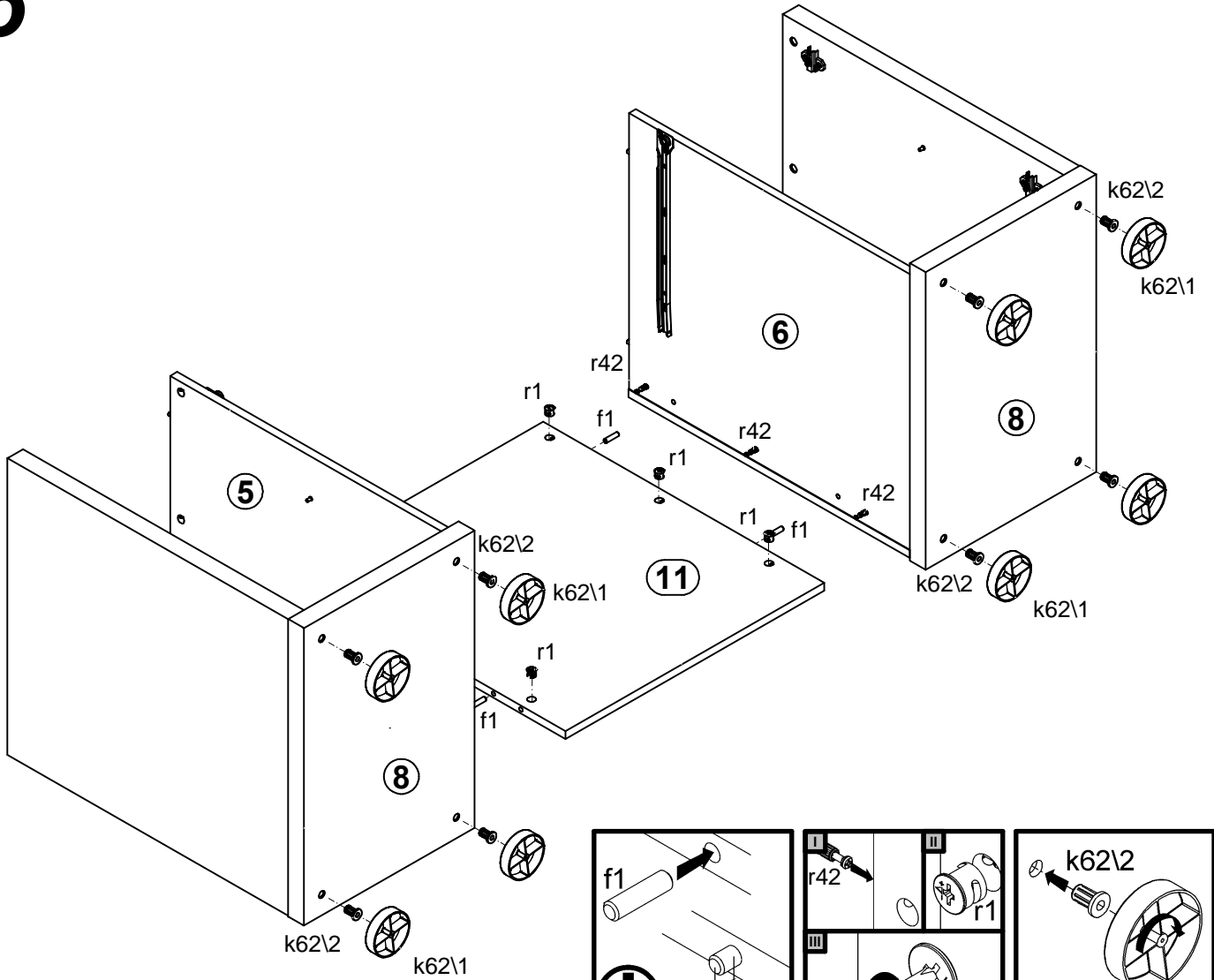
## I



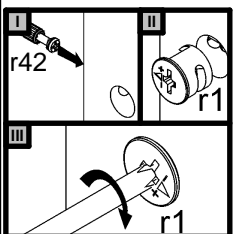
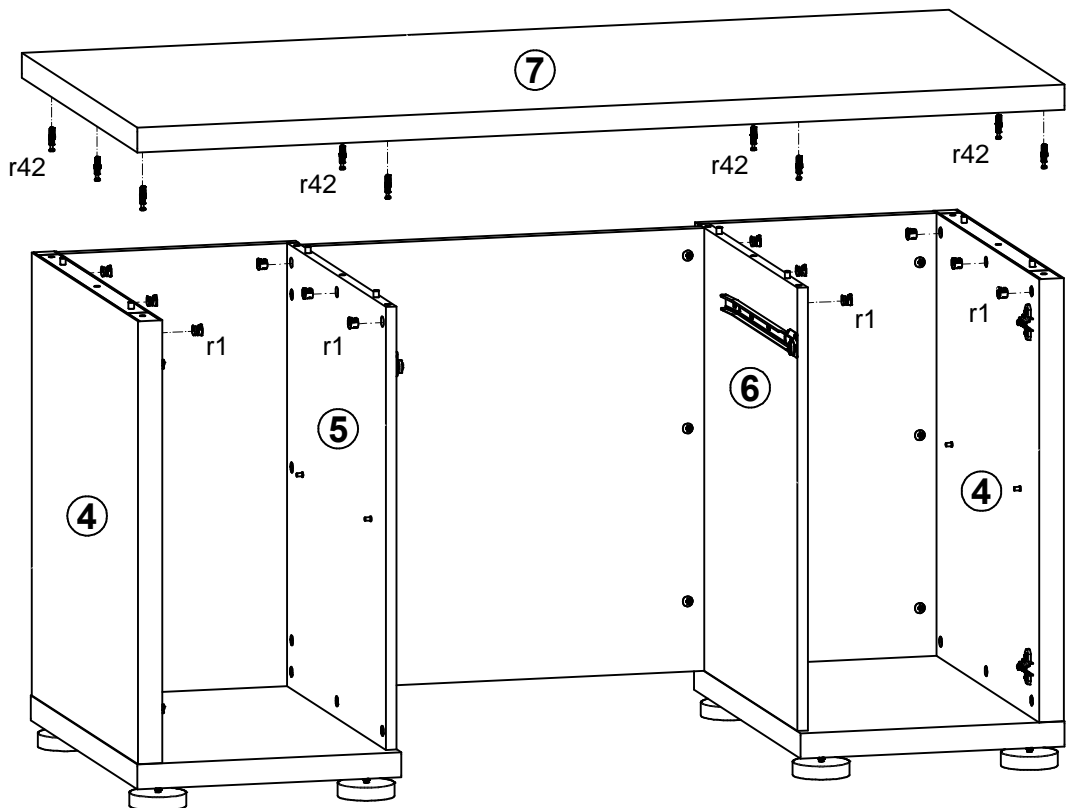
## II



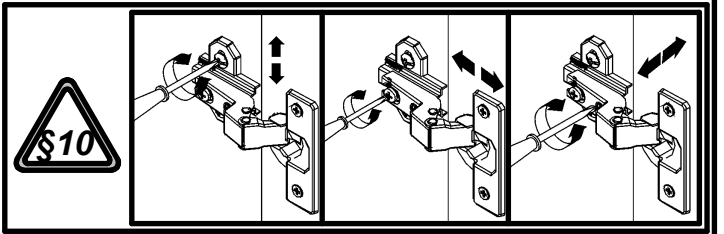
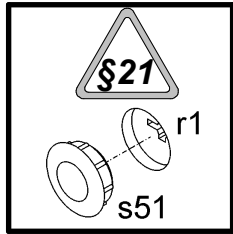
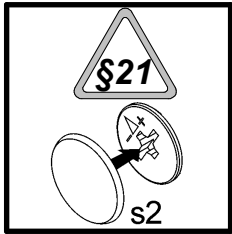
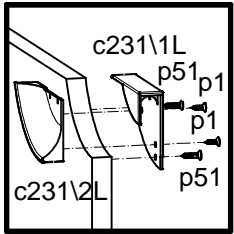
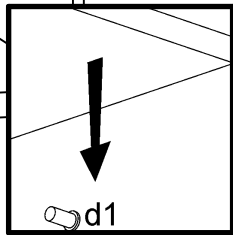
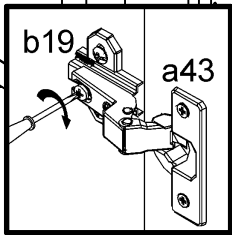
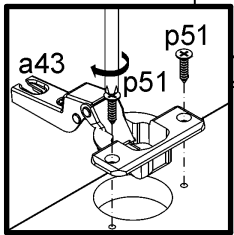
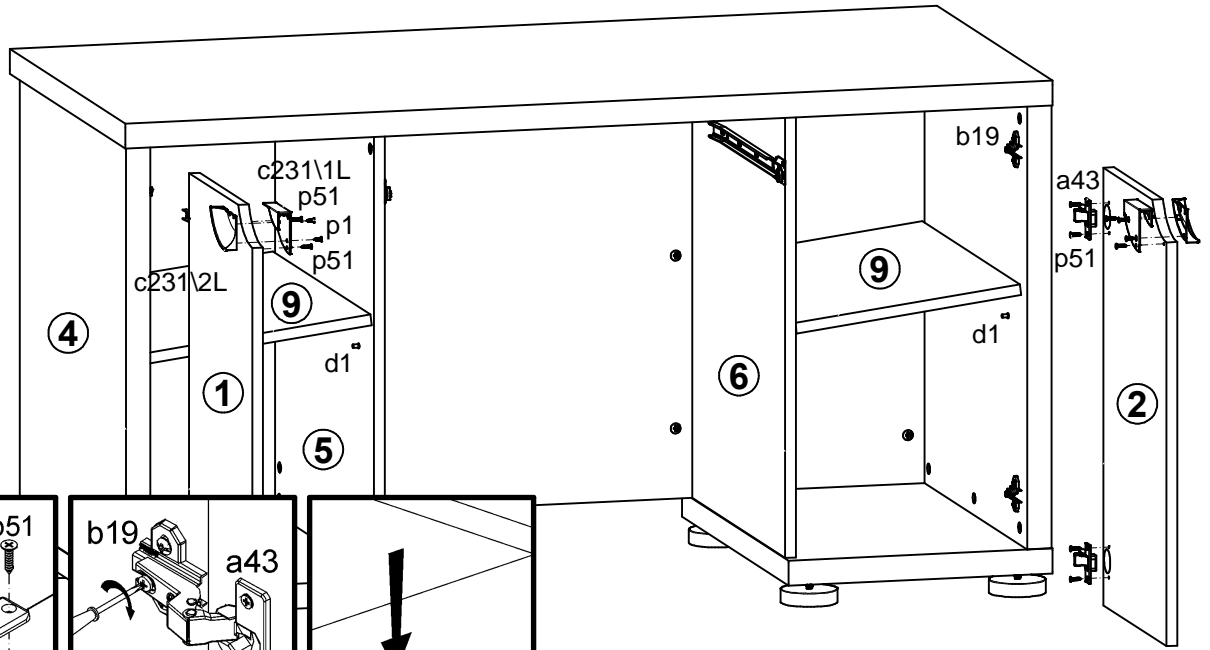
# 5



# 6

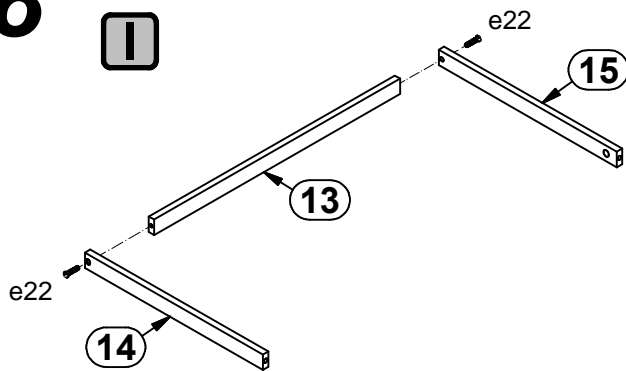


# 7

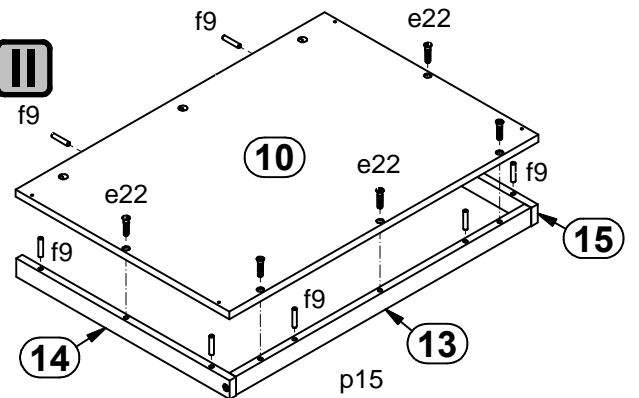


# 8

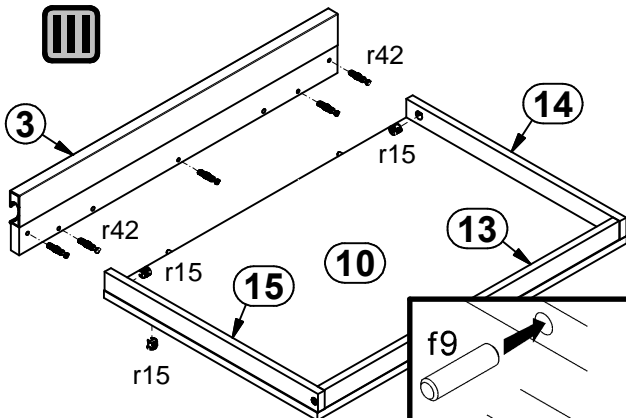
I



II



III



IV

