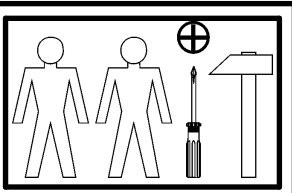
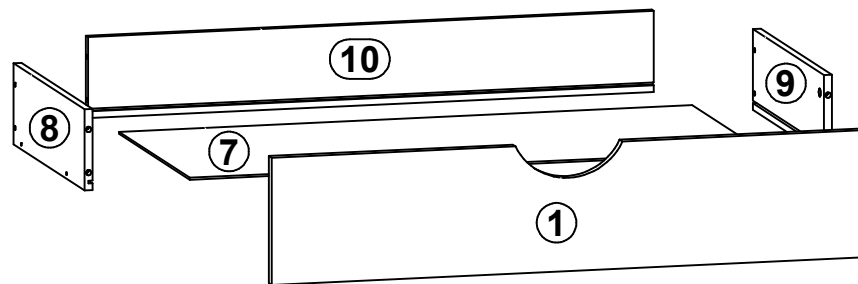
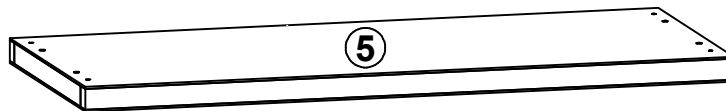
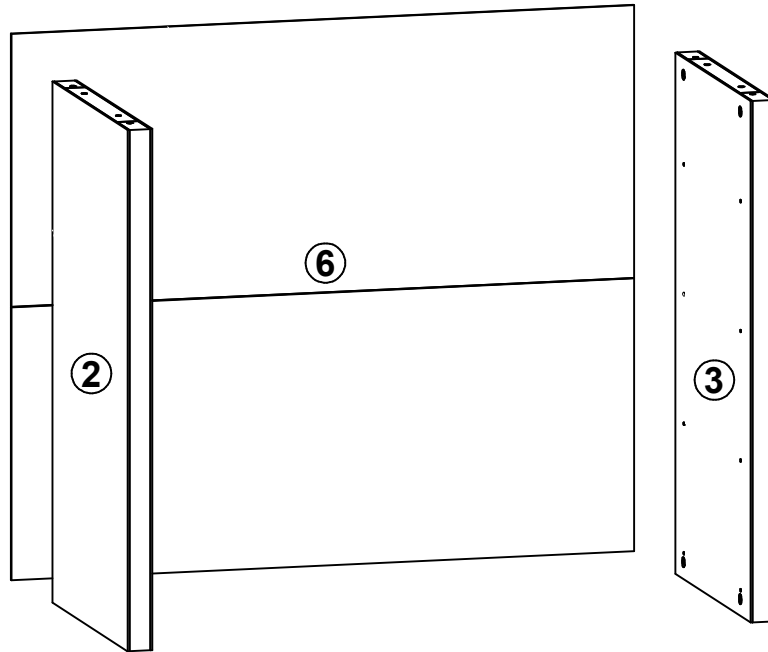
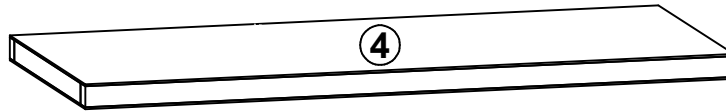


SMILE

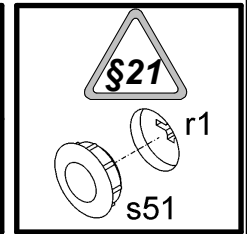
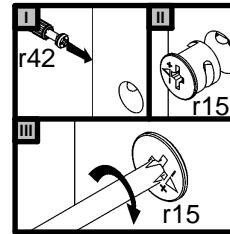
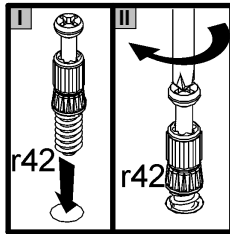
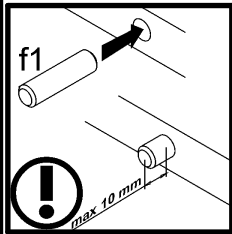
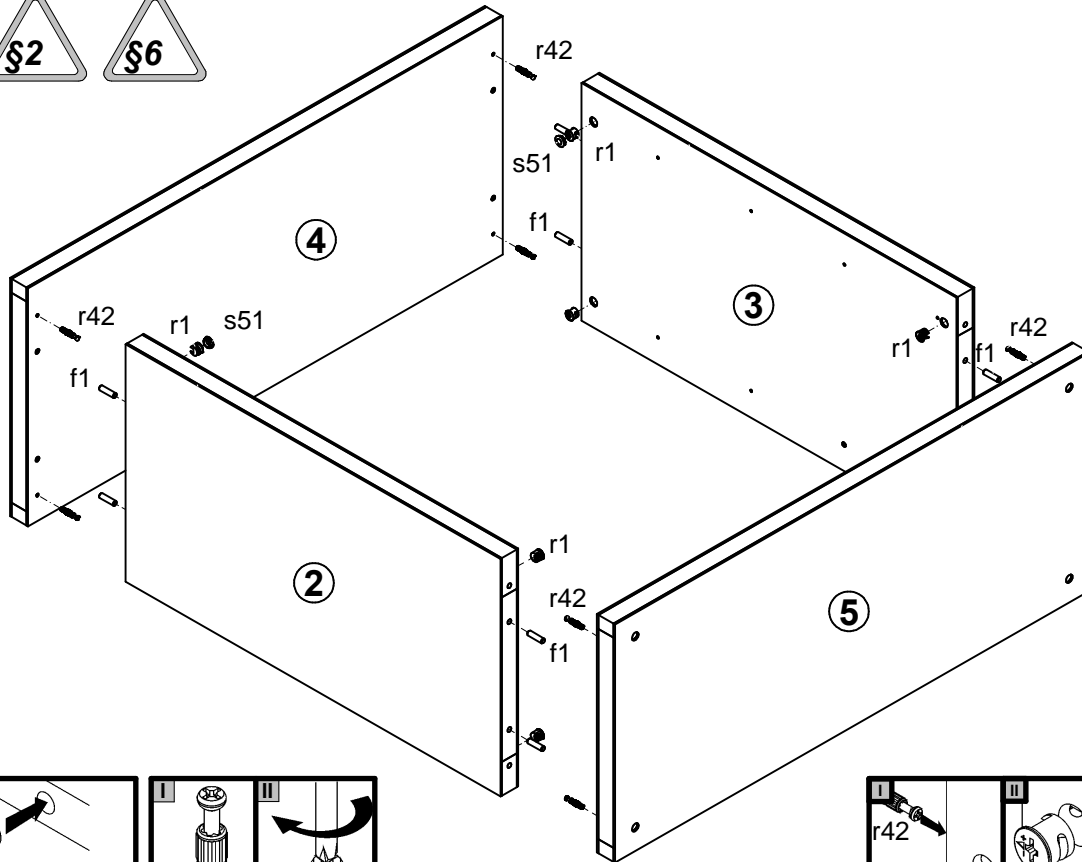
S72-KOM4S

A	B	C	D	
1	S72-005	896	188	3/3
2	S72-107	772	423	1/3
3	S72-108	772	423	1/3
4	S72-205	978	424	2/3
5	S72-206	978	424	2/3
6	S72-905	939	809	2/3
7	S72-906	864	398	2/3
8	ZS1-517	400	120	2/3
9	ZS1-518	400	120	2/3
10	ZS1-6535	853	120	2/3

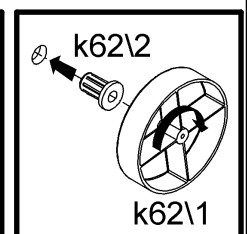
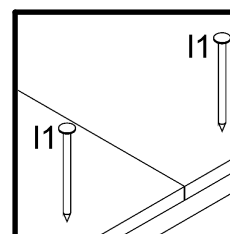
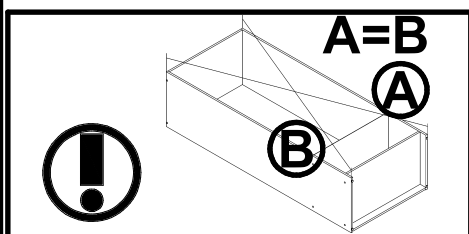
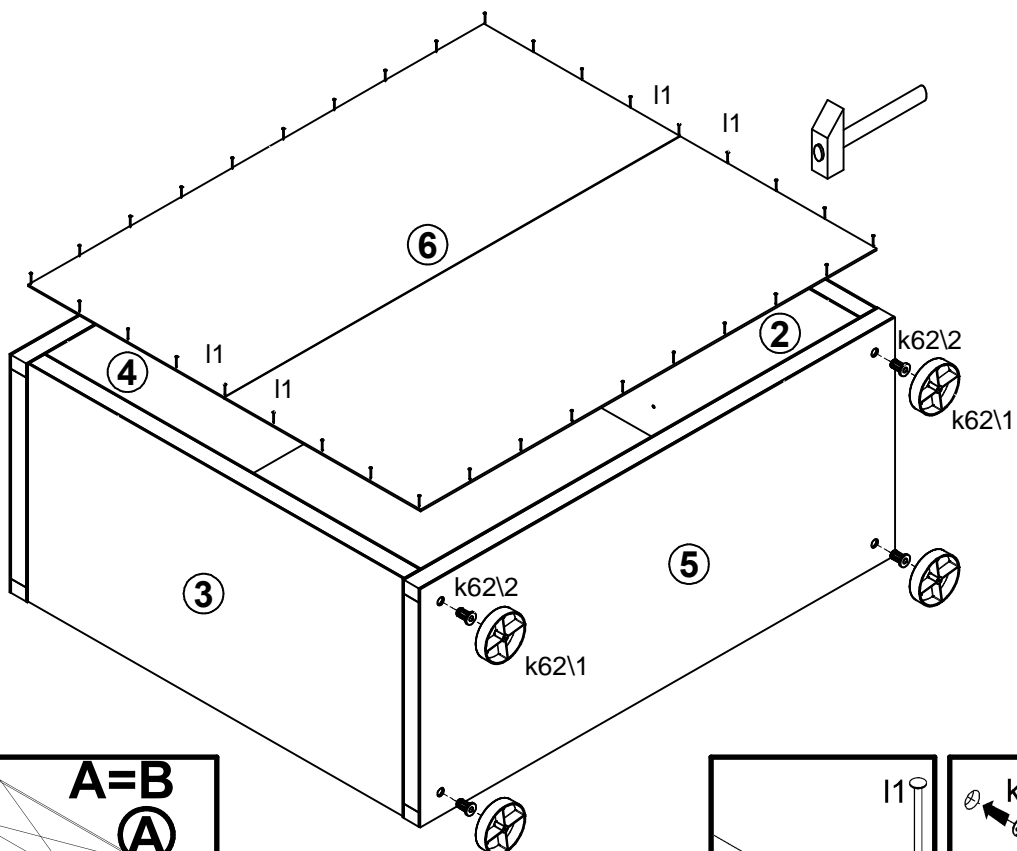


4x c233\1	4x c233\2	16x φ5x9 mm e19	16x φ6x13 mm e3	8x φ8x30 mm f1	16x φ6.5x40 mm f25	4x k62\1	4x k62\2	35x l1
8x φ3.5x13 mm p1	8x φ3.5x16 mm p25	12x φ4x13 mm p93	8x φ15x12mm #16 r1	16x φ12x10.5mm #12 r15	24x r42	2x ø15 s51	4x 383 mm t14	4x 400 mm w5\CL
4x 400 mm w5\CR	4x 400 mm w5\DL	4x 400 mm w5\DR	1x n26\1	1x φ3.5x16 mm p38				

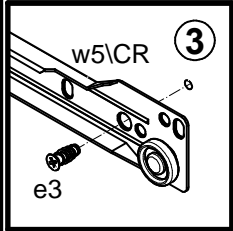
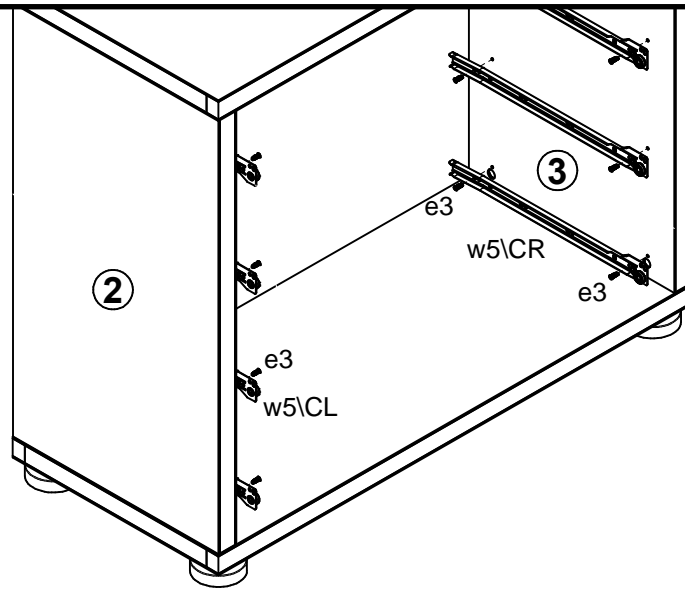
1 §2 §6



2



3



4

