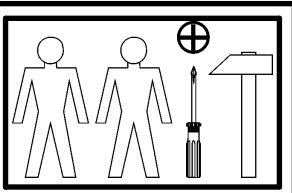
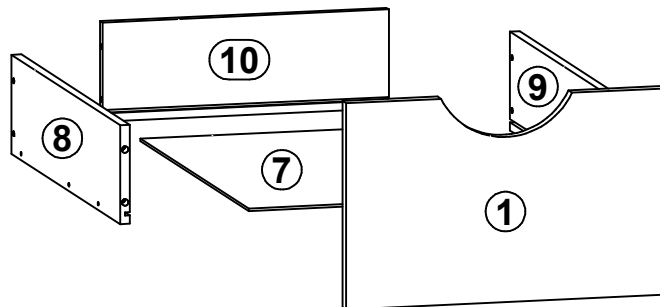
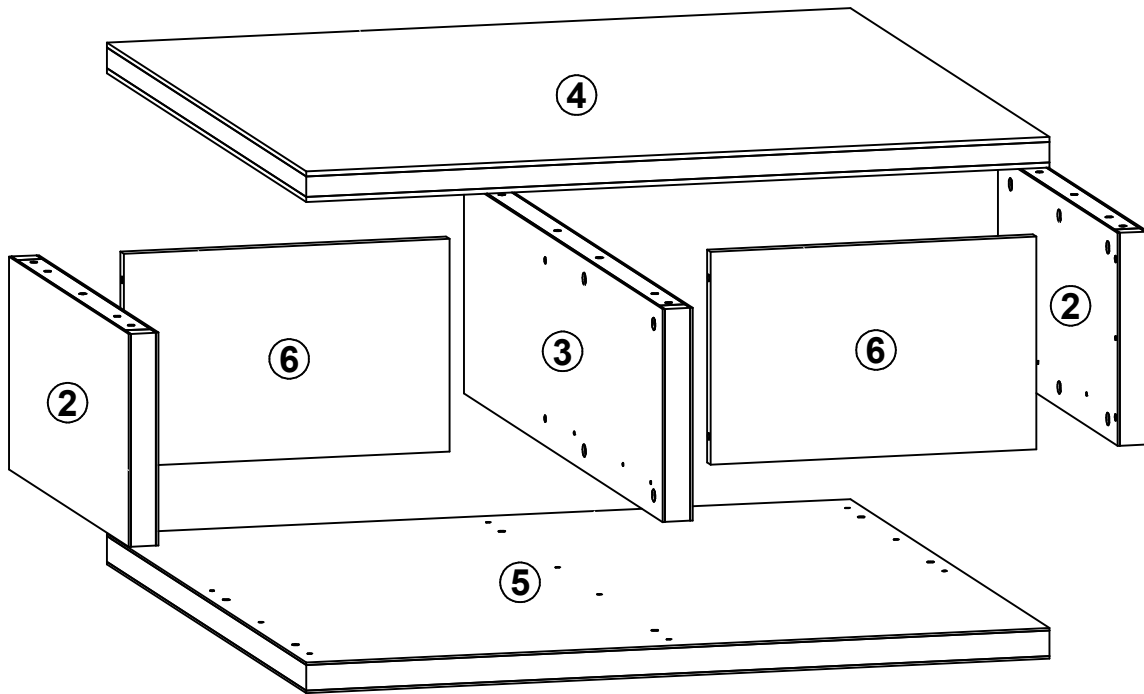
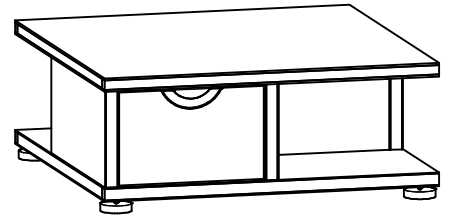


SMILE

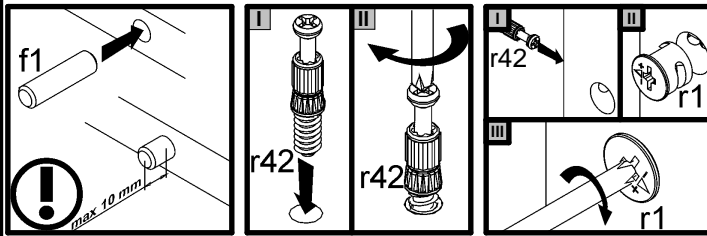
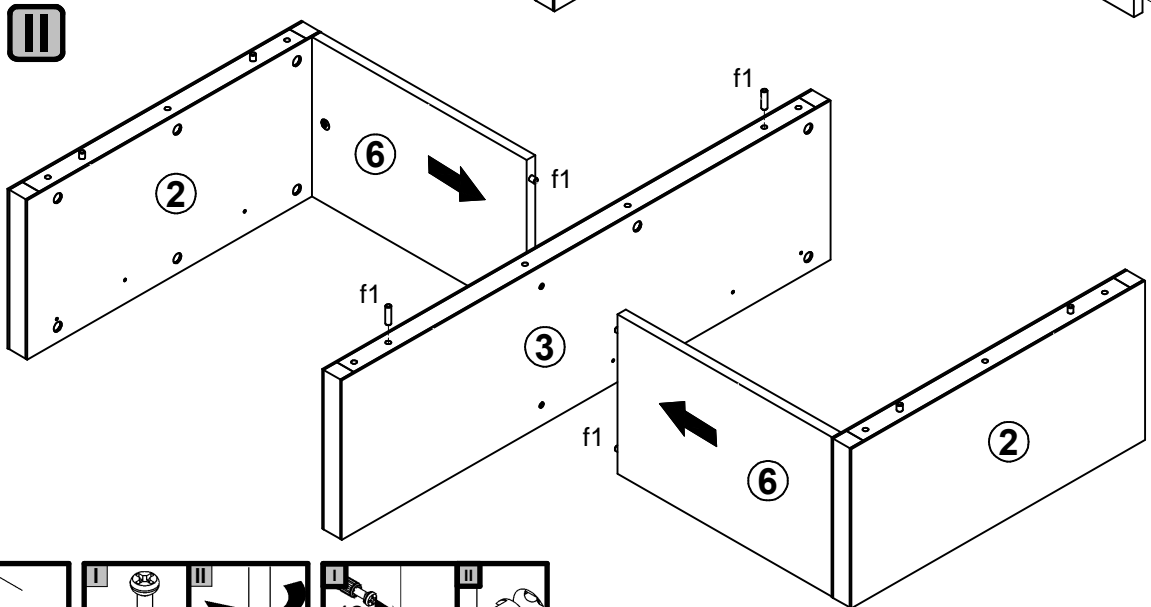
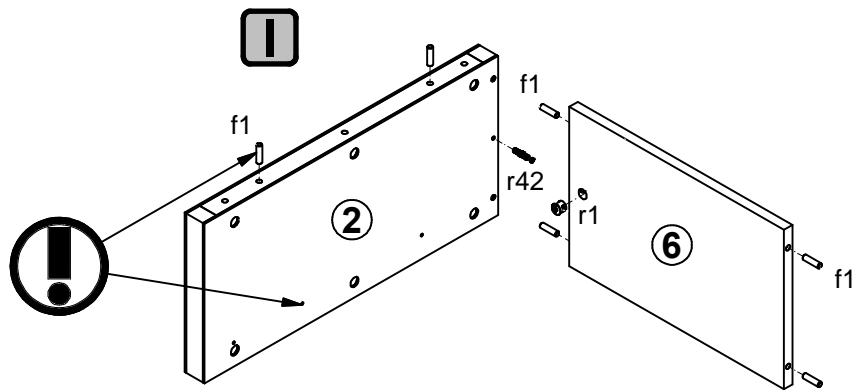
S72-LAW/92

A	B	C	D
1	S72-023	396	250
2	S72-130	550	258
3	S72-131	915	258
4	S72-228	917	917
5	S72-229	917	917
6	S72-412	402	258
7	S72-924	364	498
8	ZS1-503	500	120
9	ZS1-504	500	120
10	ZS1-6538	353	120

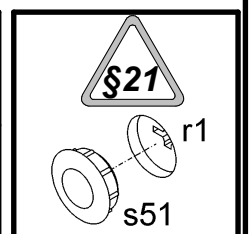
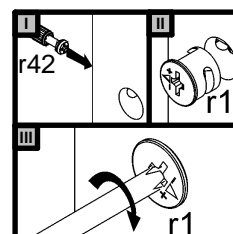
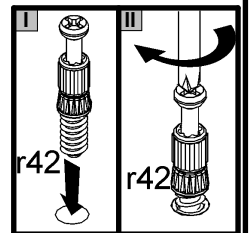
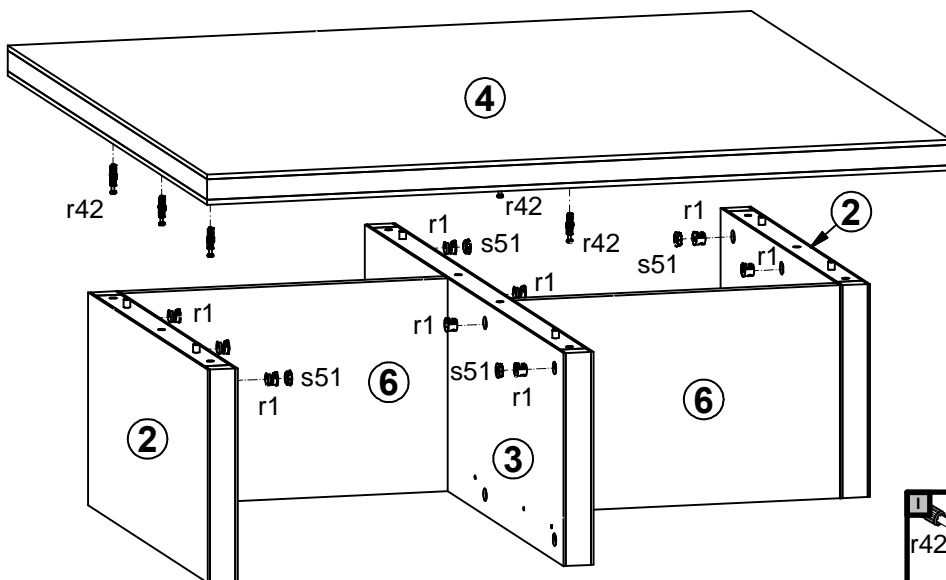


2x c233i1	2x c233i2	12x φ5x9 mm e19	12x φ6x13 mm e3	20x φ8x30 mm f1	8x φ6.5x40 mm f25	4x k62i1	4x k62i2	4x φ3.5x13 mm p1
6x φ4x13 mm p93	22x φ1.5x12mm #16 r1	8x φ12x10.5mm #12 r15	30x r42	4x ø15 s51	2x 500 mm w26iCL	2x 500 mm w26iCR	2x 500 mm w26iDL	2x 500 mm w26iDR

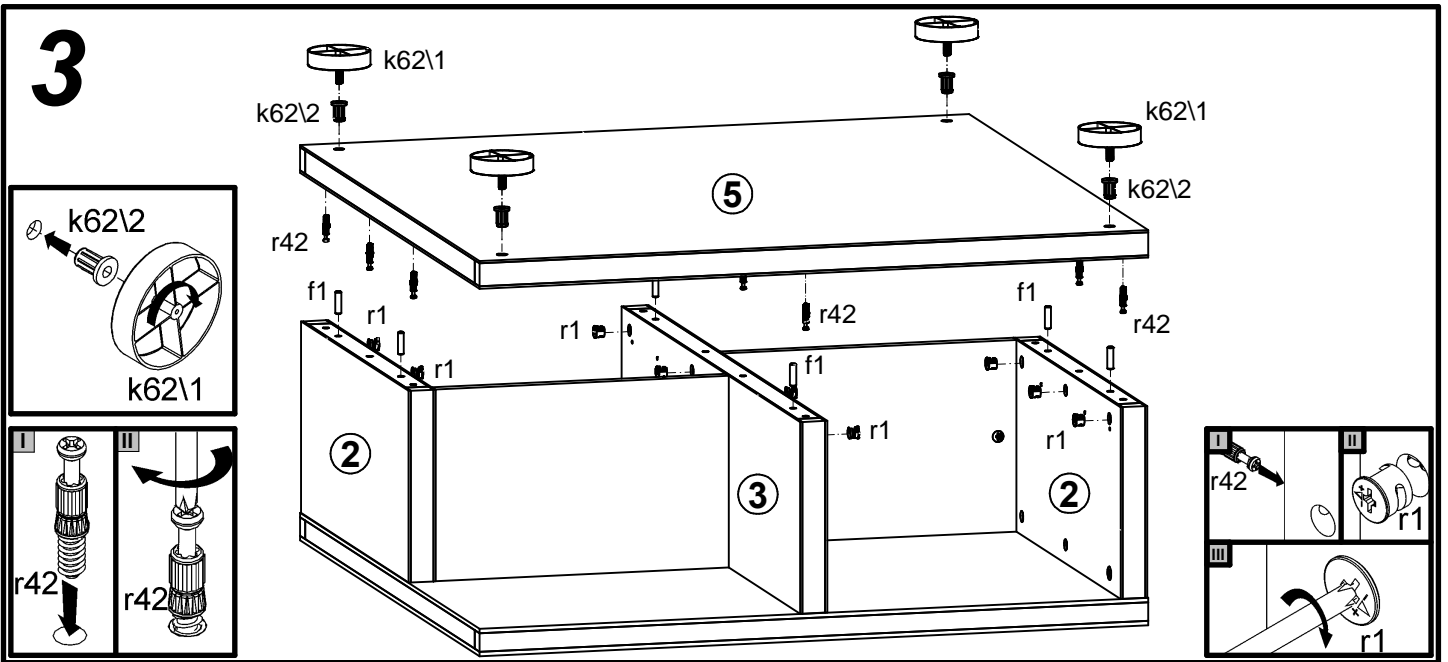
1 §2 §6



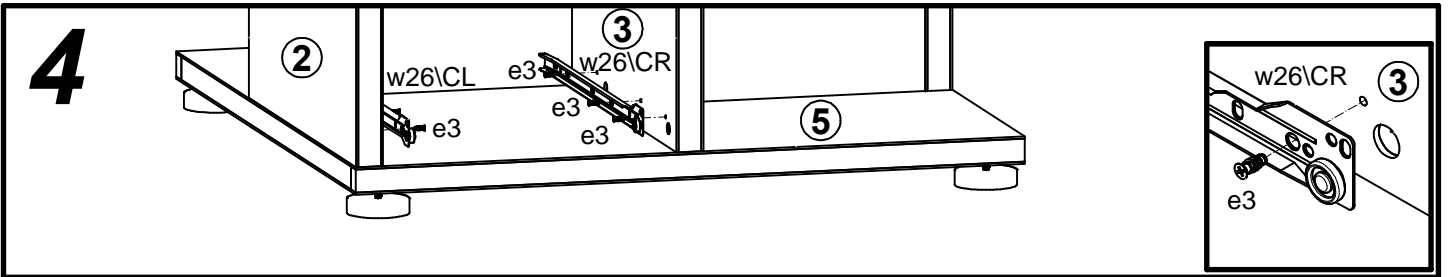
2



3



4



5

