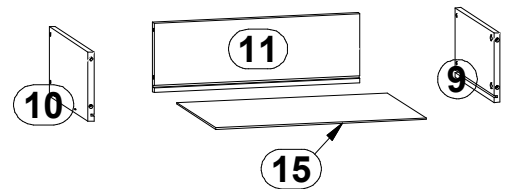
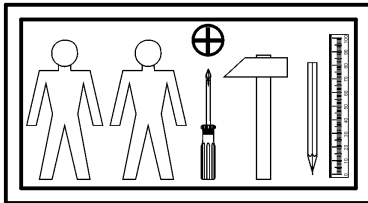
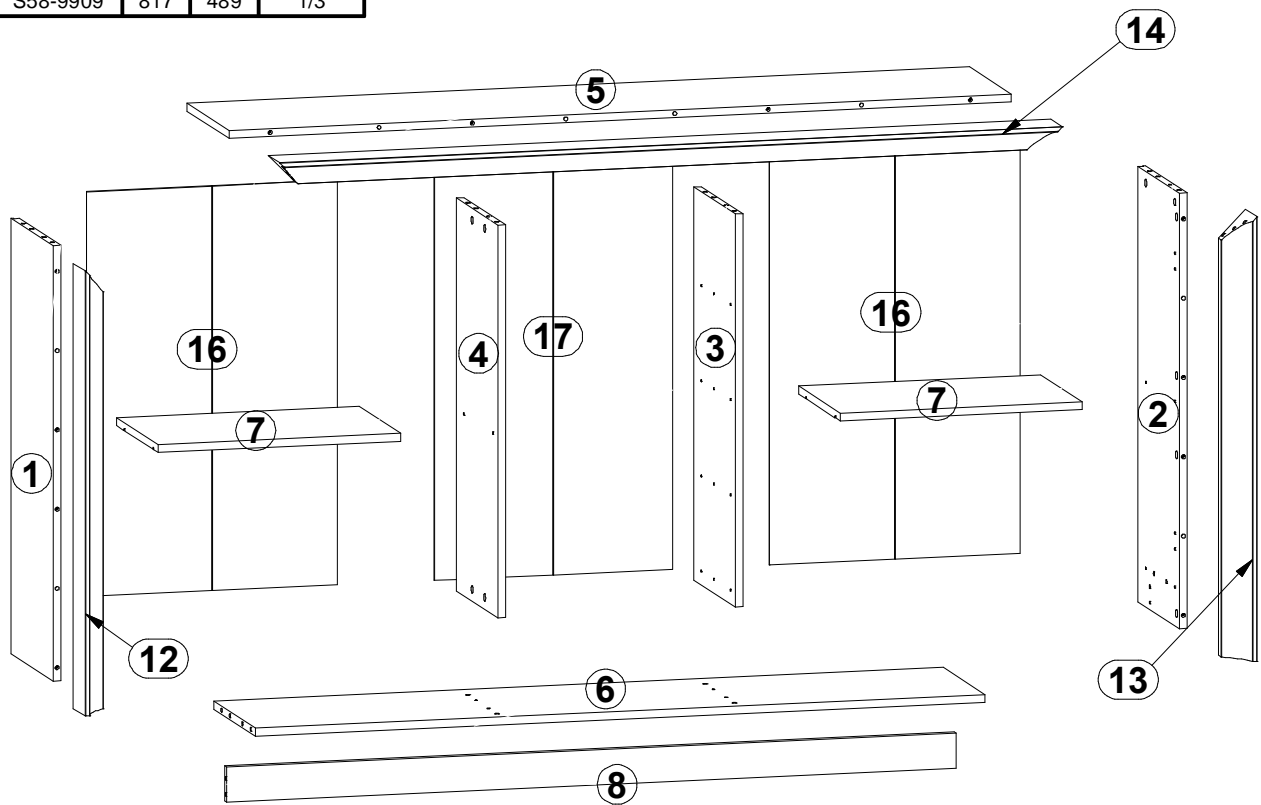
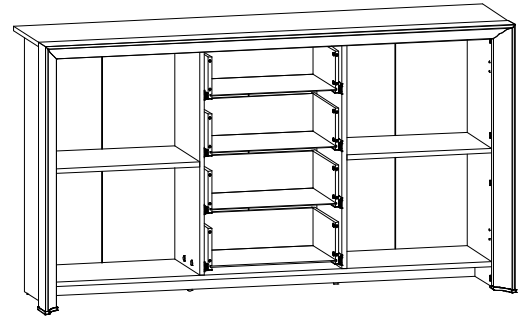


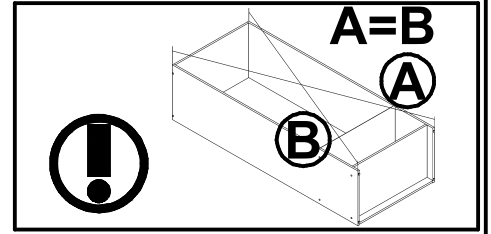
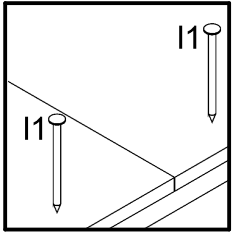
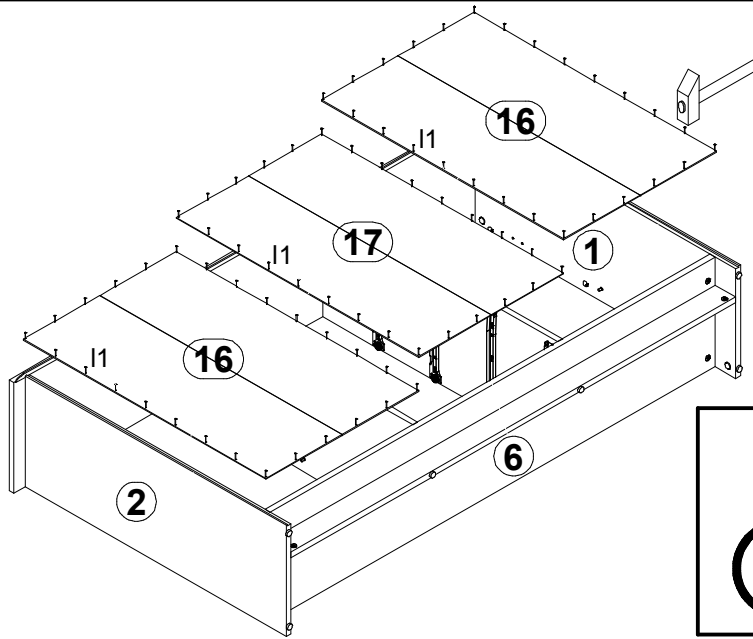
SORRENTO S58-KOM2D4S_9_16

A	B	C	D
1	S58-103	879	323
2	S58-104	879	323
3	S58-124	793	319
4	S58-125	793	319
5	S58-211	1608	323
6	S58-316	1500	319
7	S58-317	498	319
8	S58-403	1500	70
9	S58-501	300	140
10	S58-502	300	140
11	S58-511	423	140
12	S58-552	898	90
13	S58-553	898	90
14	S58-563	1610	90
15	S58-912	433	298
16	S58-9908	817	515
17	S58-9909	817	489

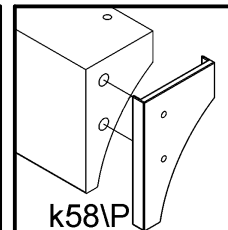
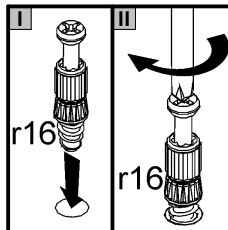
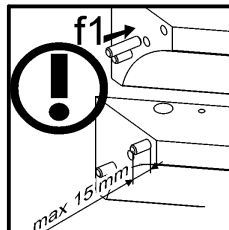
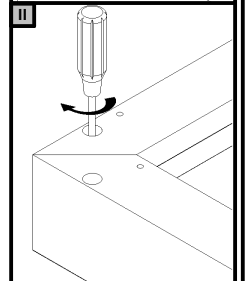
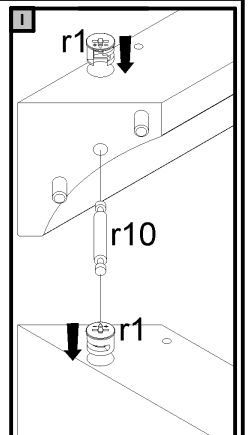
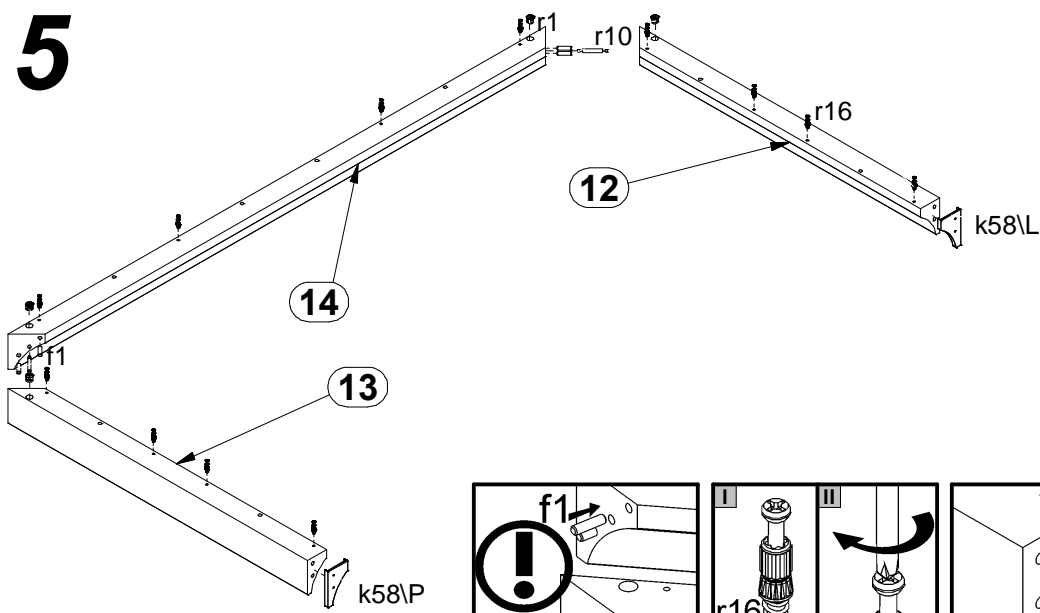


8x φ5x17 mm d1	24x φ6x13 mm e3	30x φ8x30 mm f1	16x φ6.5x40 mm f25	6x k1	1x k58\I	1x k58\I	78x l1	16x φ3x12 mm p54
34x φ15x12mm #16 r1	2x r10	16x φ12x10.5mm #12 r15	46x r16	16x ø16 s2	4x 300 mm w37\I	4x 300 mm w37\I	4x 300 mm w37\DL	4x 300 mm w37\DR
1x n26\I	1x φ3.5x16 mm p38							

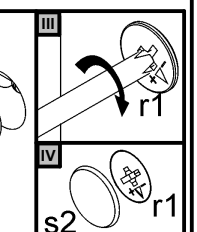
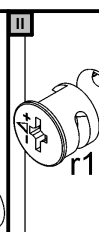
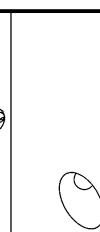
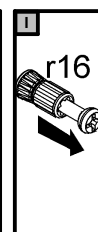
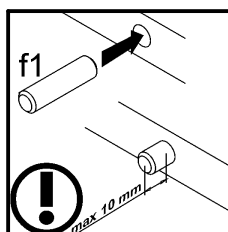
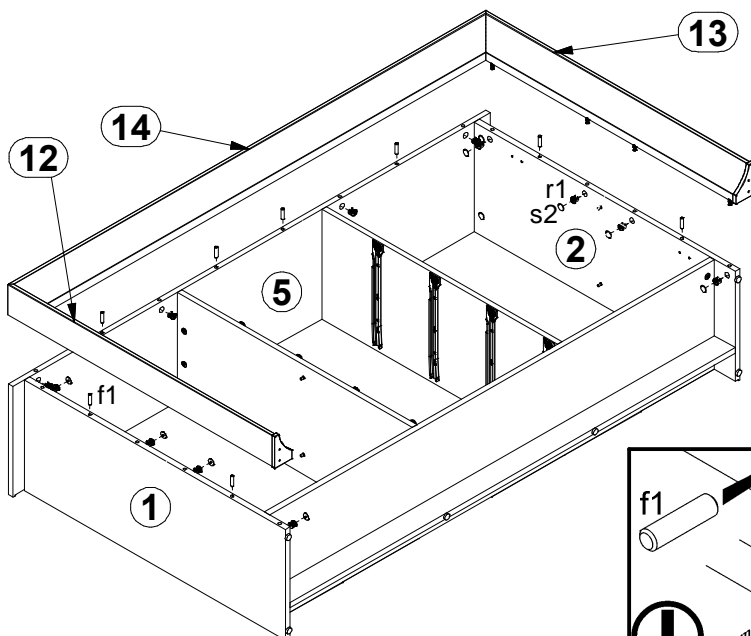
4



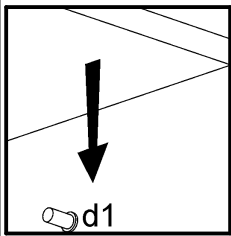
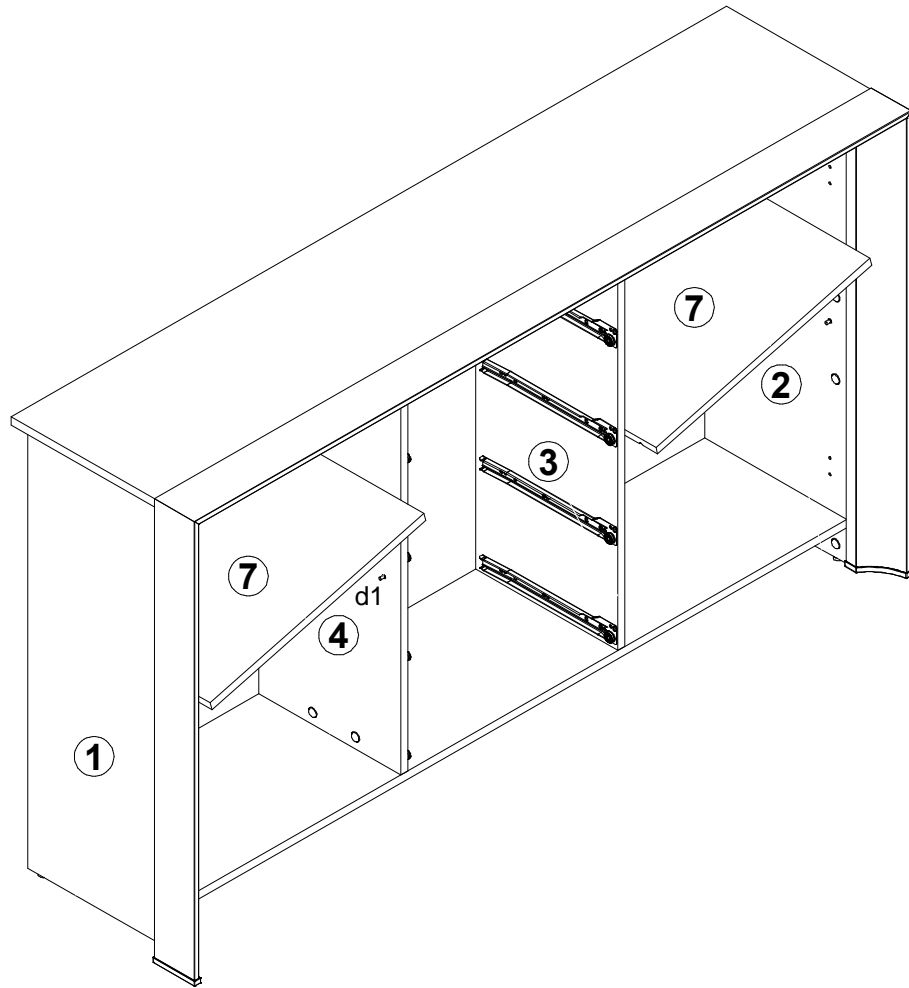
5



6



7



8

