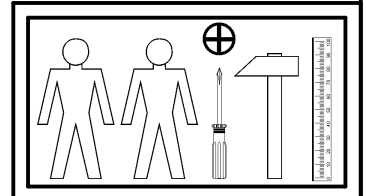
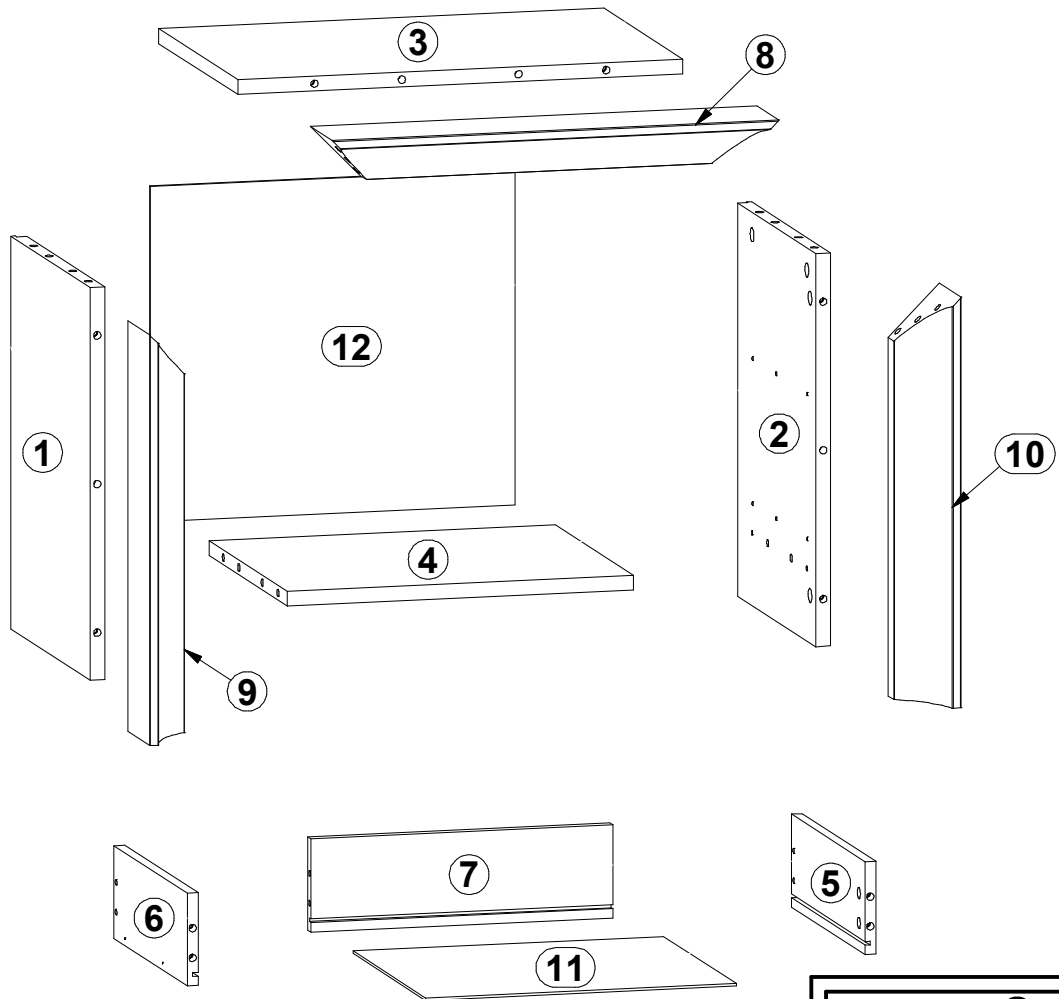
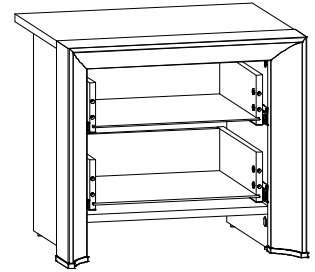


SORRENTO

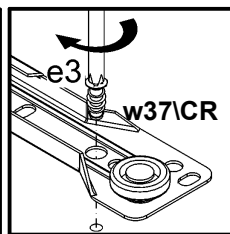
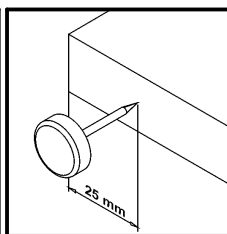
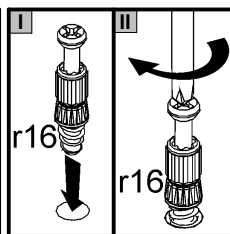
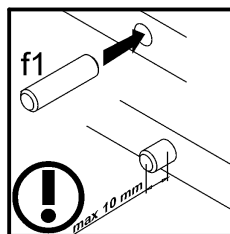
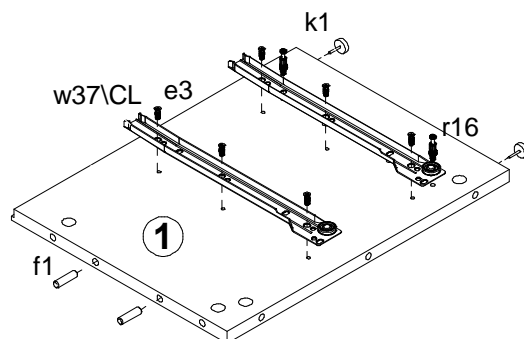
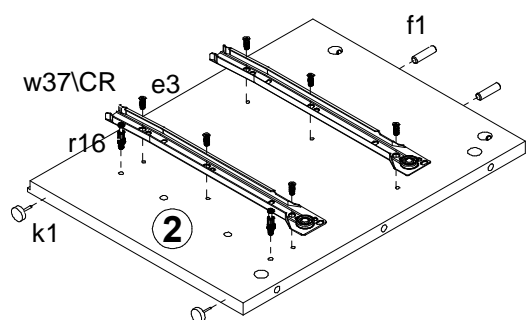
S58-KOM2S_4_5

A	B	C	D	
1	S58-117	423	323	1/3
2	S58-118	423	323	1/3
3	S58-207	488	323	1/3
4	S58-312	380	319	1/3
5	S58-508	300	100	1/3
6	S58-509	300	100	1/3
7	S58-510	331	100	1/3
8	S58-567	490	90	2/3
9	S58-568	442	90	2/3
10	S58-569	442	90	2/3
11	S58-905	341	298	1/3
12	S58-906	400	361	1/3

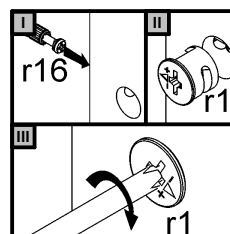
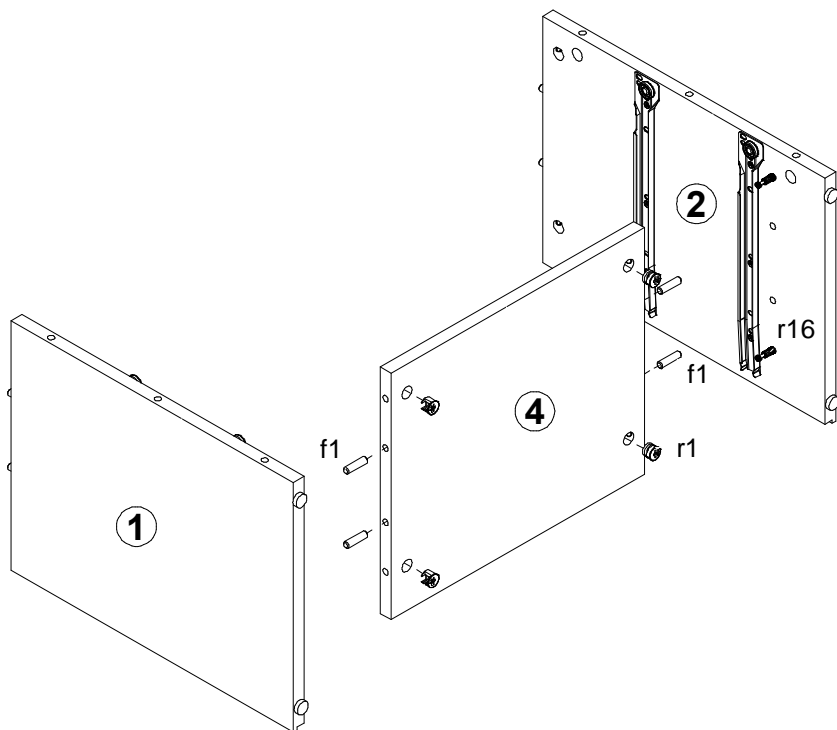


12x φ6x13 mm e3	16x φ8x30 mm f1	8x φ6.5x40 mm f25	4x k1	1x k58/L	1x k58/P	30x l1	8x φ3x12 mm p54	18x φ1.5x12mm #16 r1
2x r10	8x φ12x10.5mm #12 r15	22x r16	2x ø16 s2	2x 300 mm w37/CL	2x 300 mm w37/CR	2x 300 mm w37/DL	2x 300 mm w37/DR	1x n26/l1
1x φ3.5x16 mm p38								

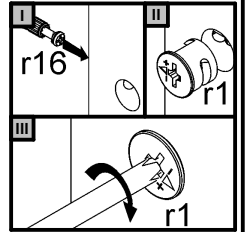
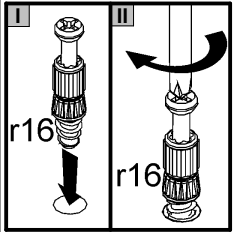
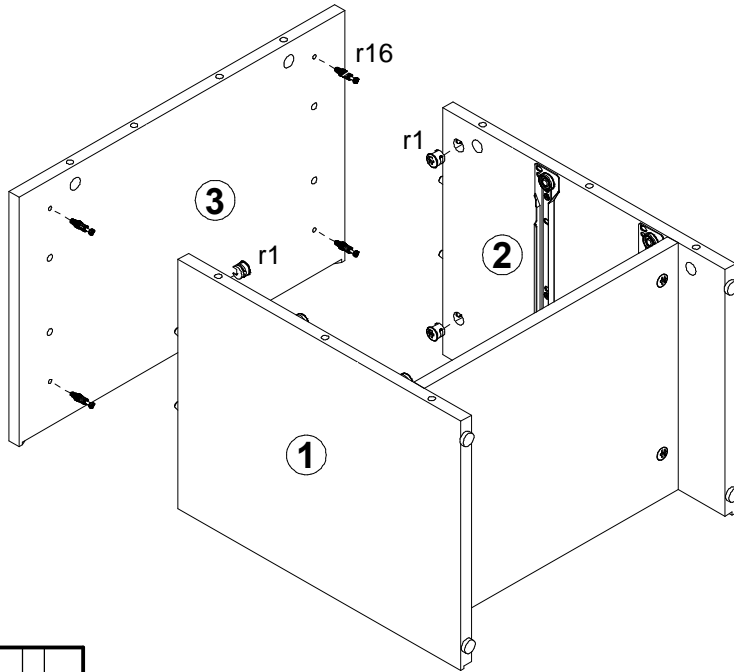
1



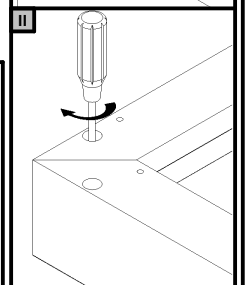
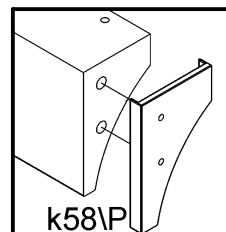
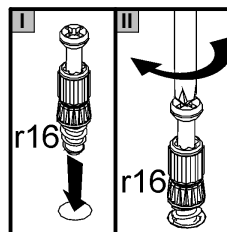
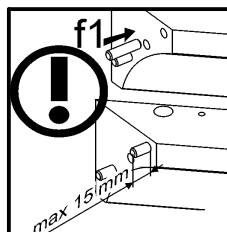
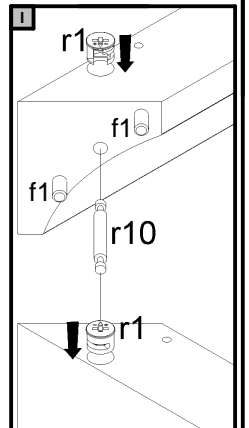
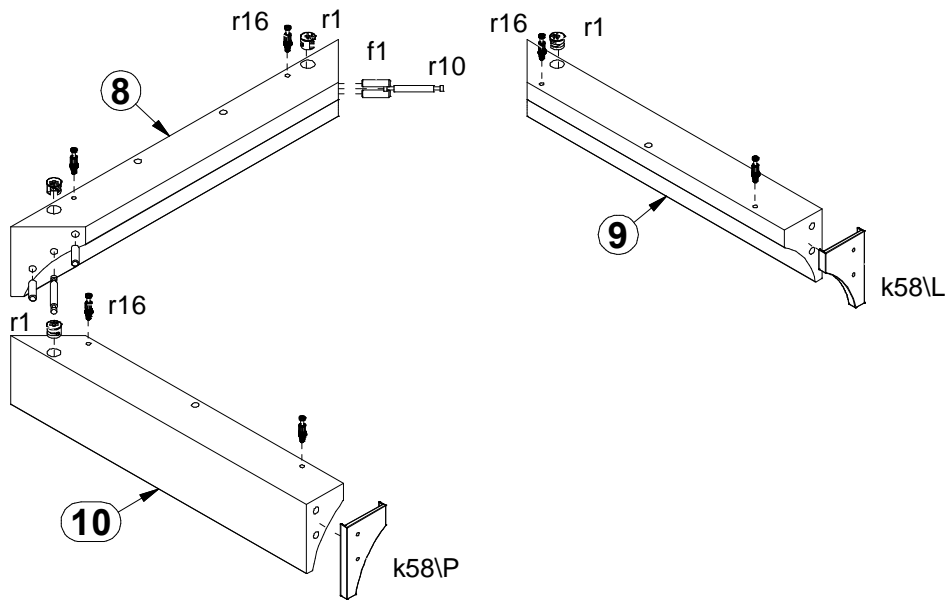
2



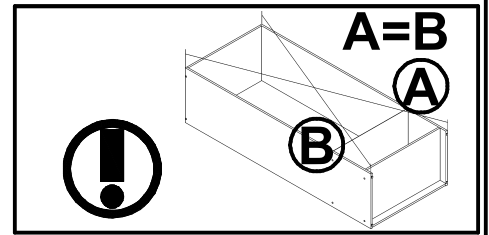
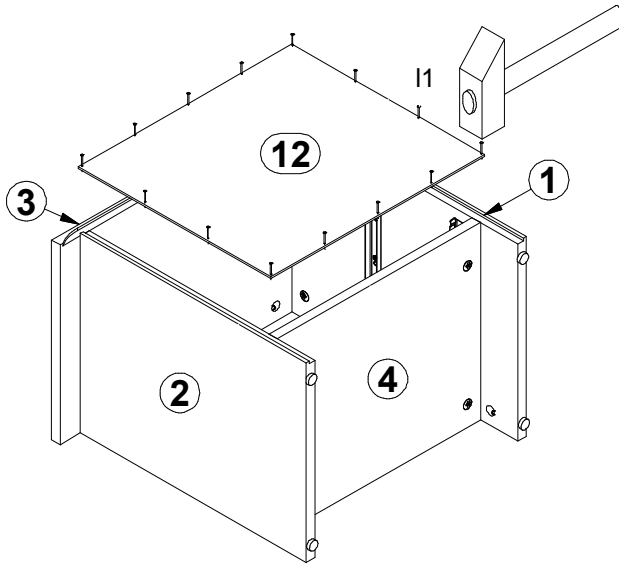
3



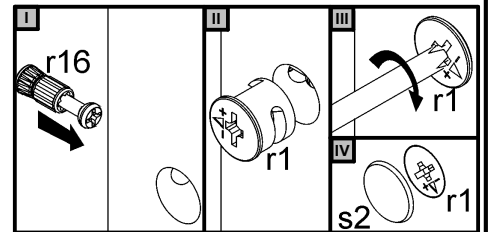
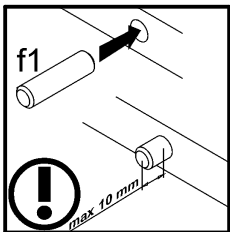
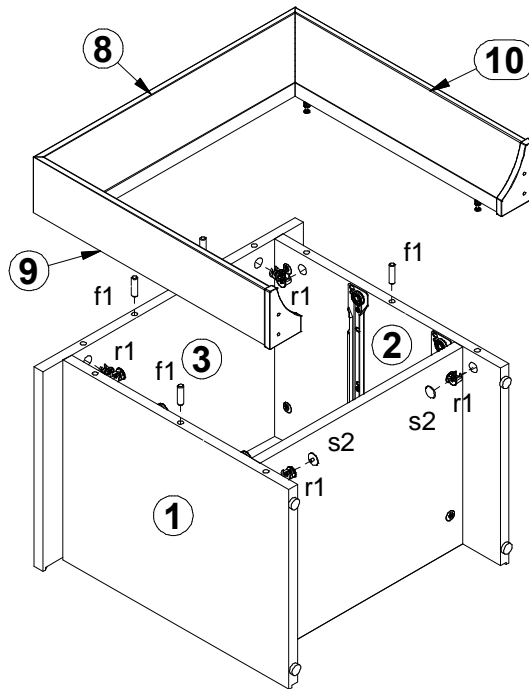
4



5



6



7

