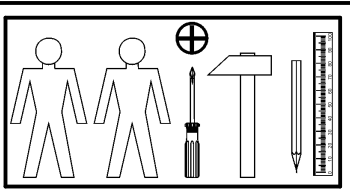
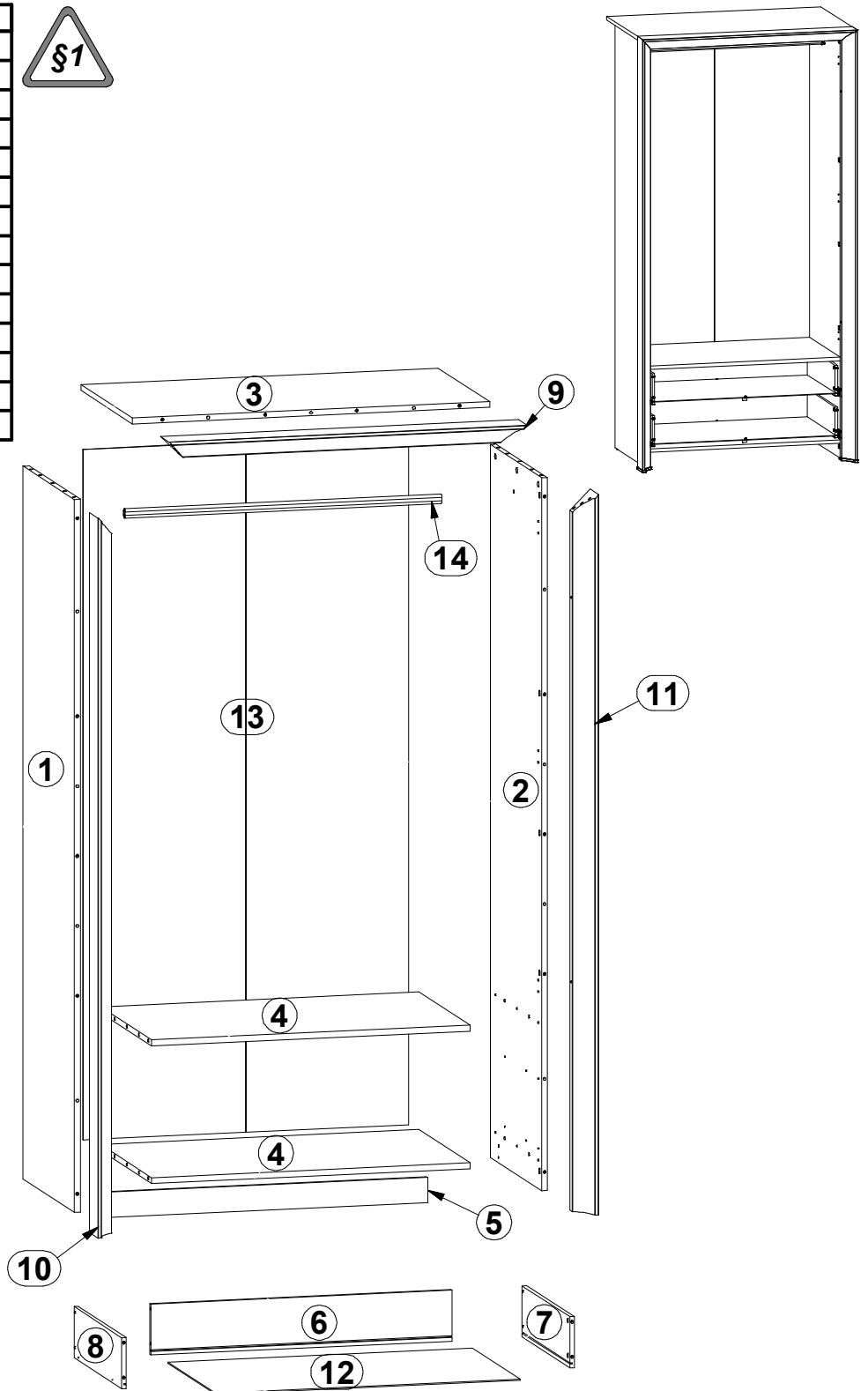


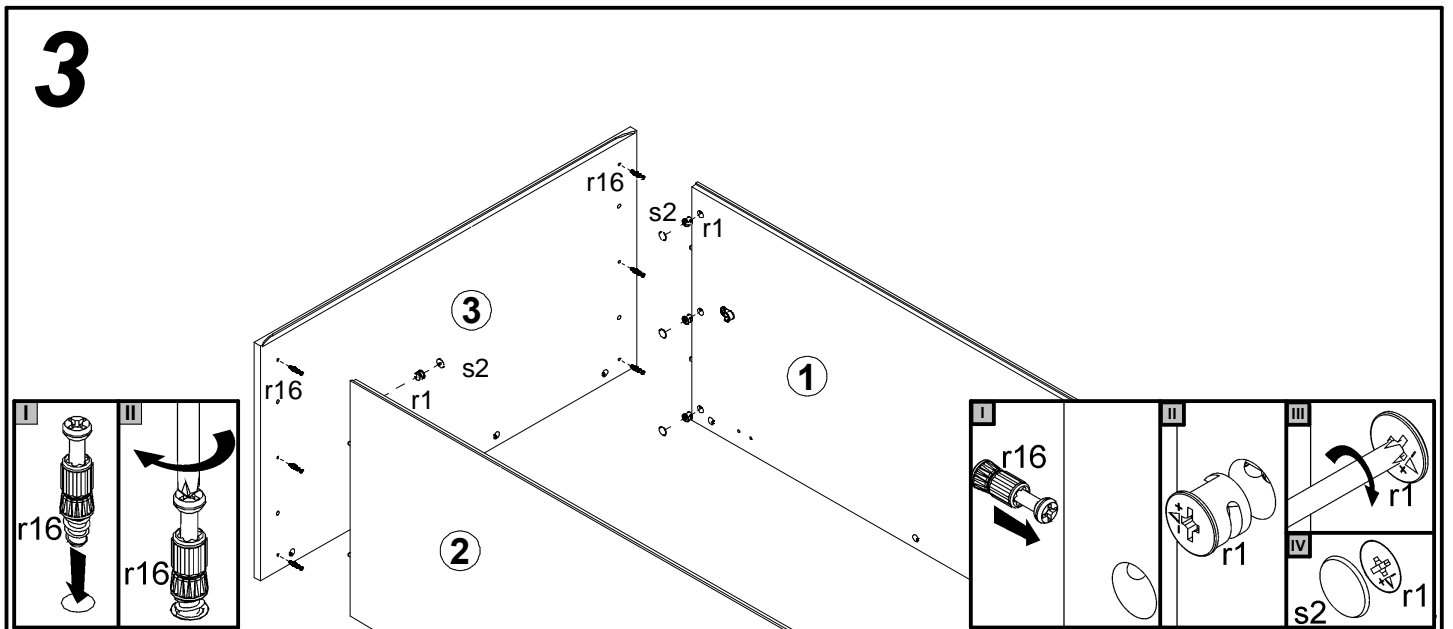
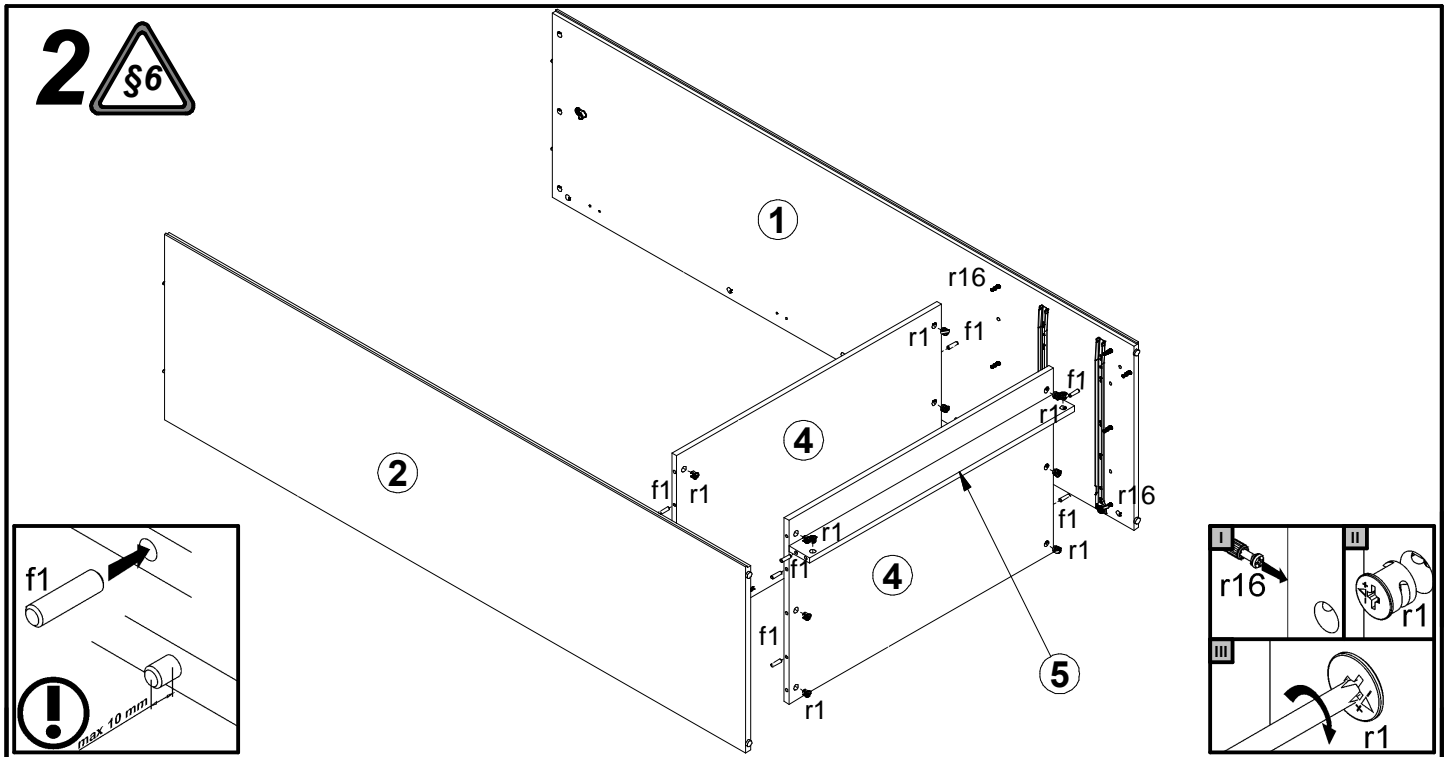
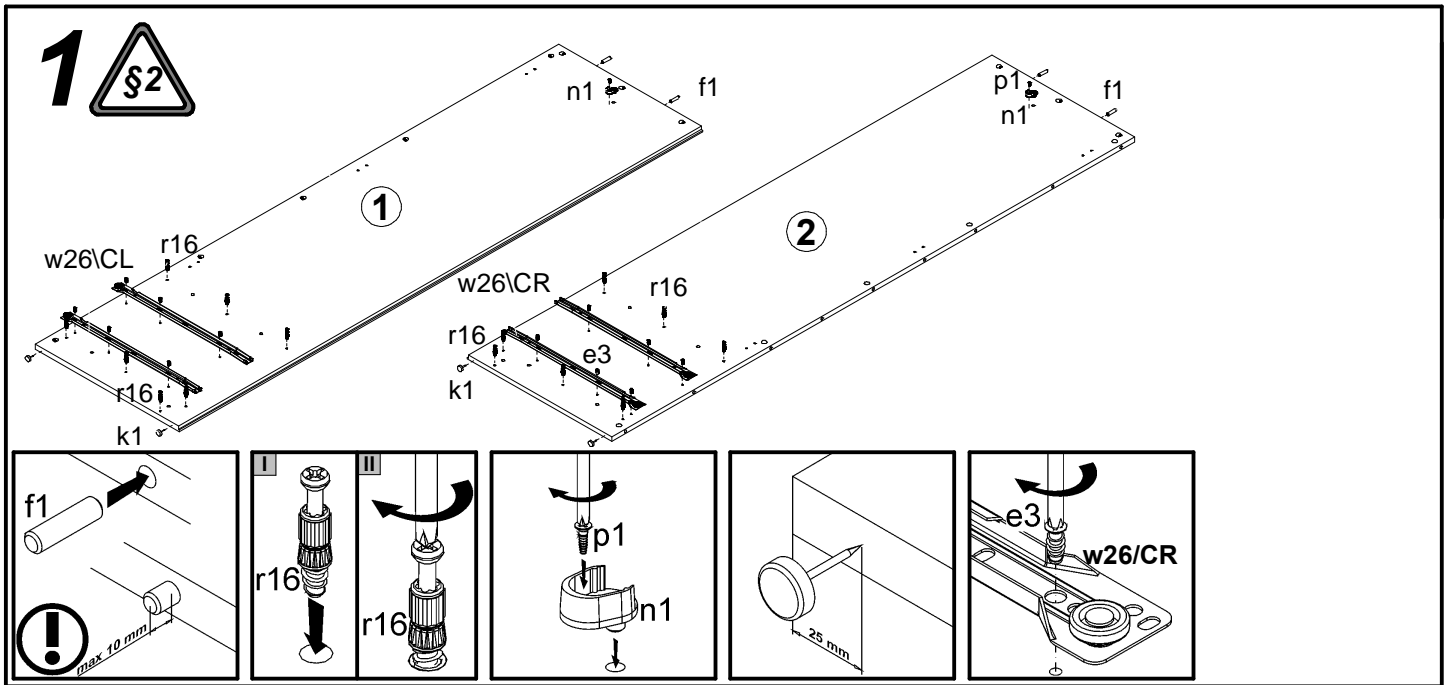
SORRENTO

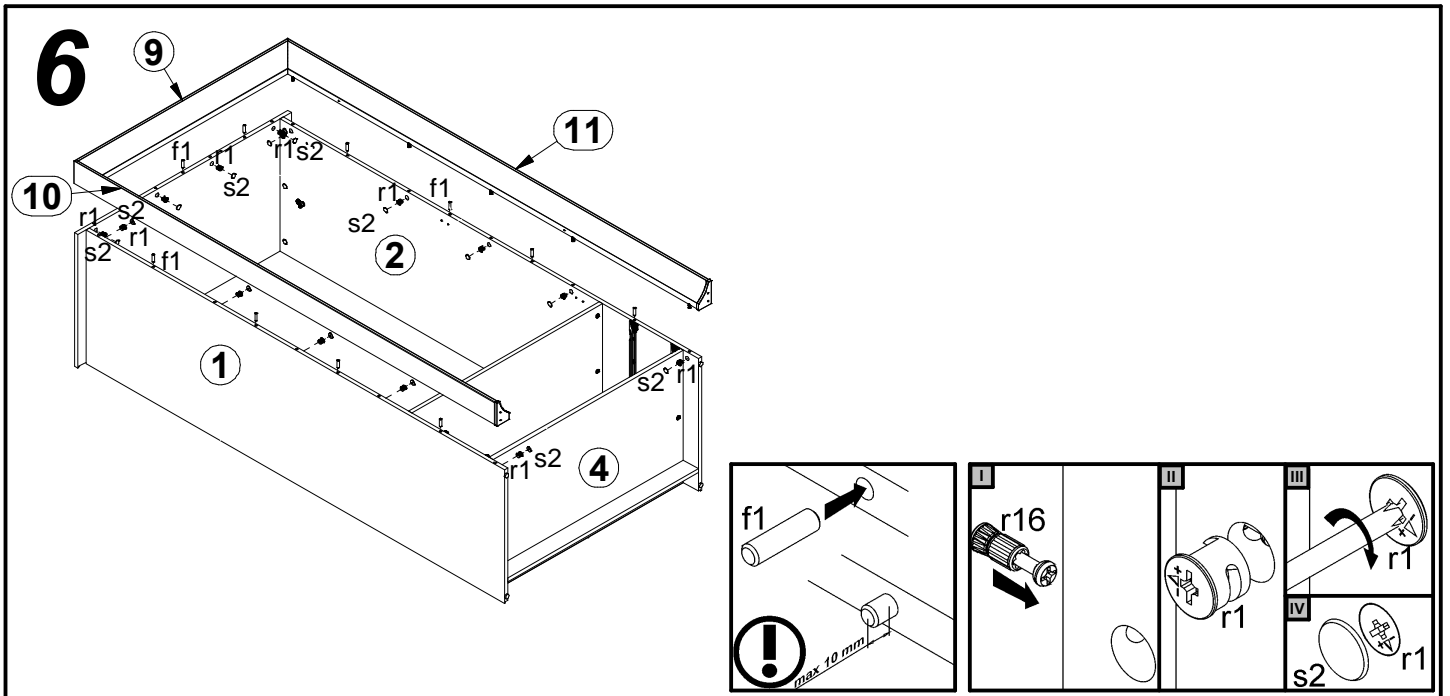
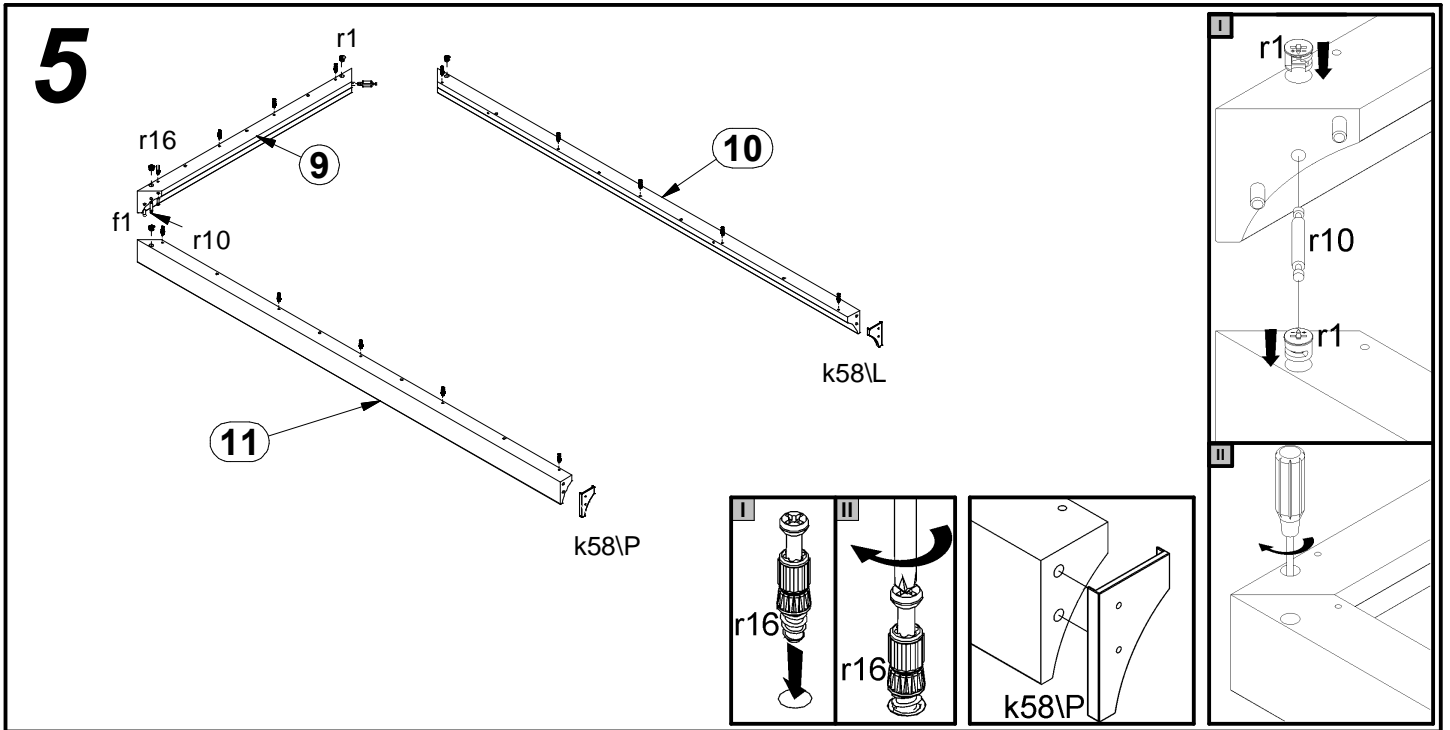
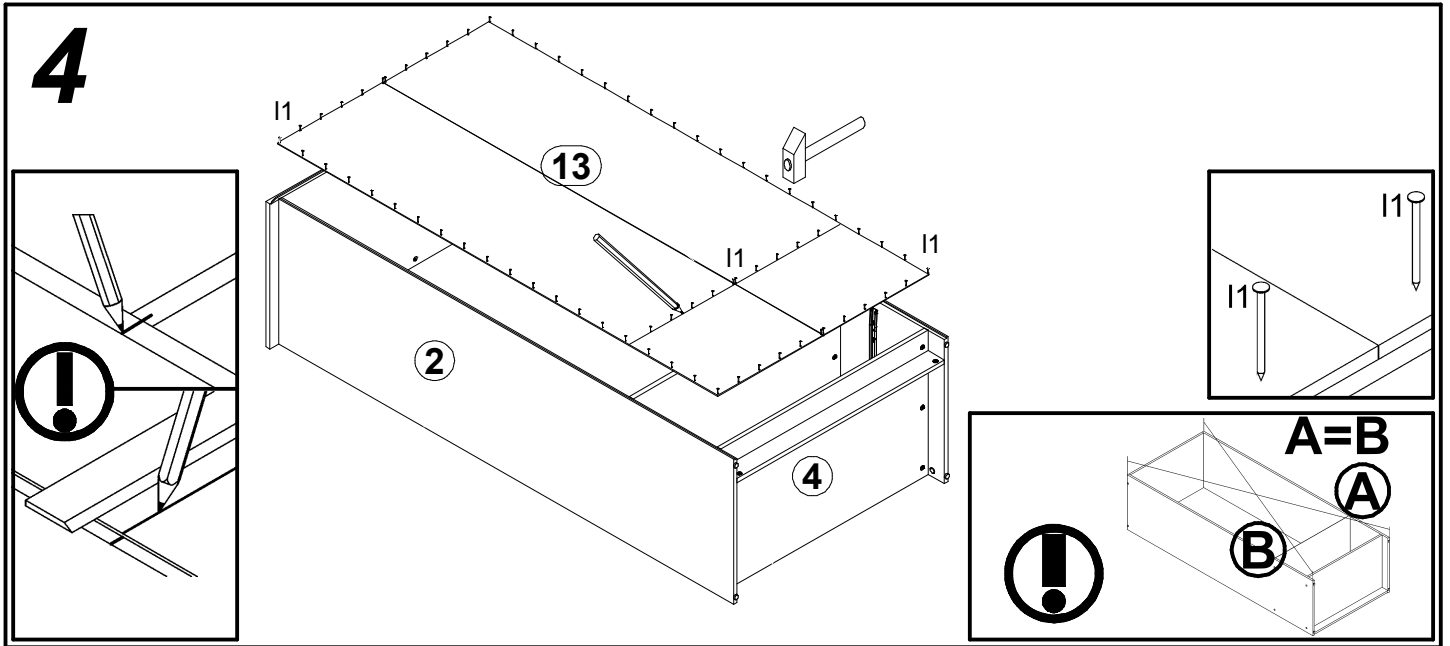
S58-SZF2D2S_20_10

A	B	C	D	
1	S58-109	1959	540	1/4
2	S58-110	1959	540	1/4
3	S58-204	1000	540	2/4
4	S58-305	892	536	2/4
5	S58-401	892	70	2/4
6	S58-503	843	140	2/4
7	S58-505	500	140	2/4
8	S58-506	500	140	2/4
9	S58-551	1002	90	3/4
10	S58-559	1978	90	3/4
11	S58-560	1978	90	3/4
12	S58-903	853	498	2/4
13	S58-9904	1897	911	1/4
14	dr-887	887	24	2/4

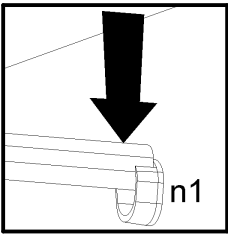
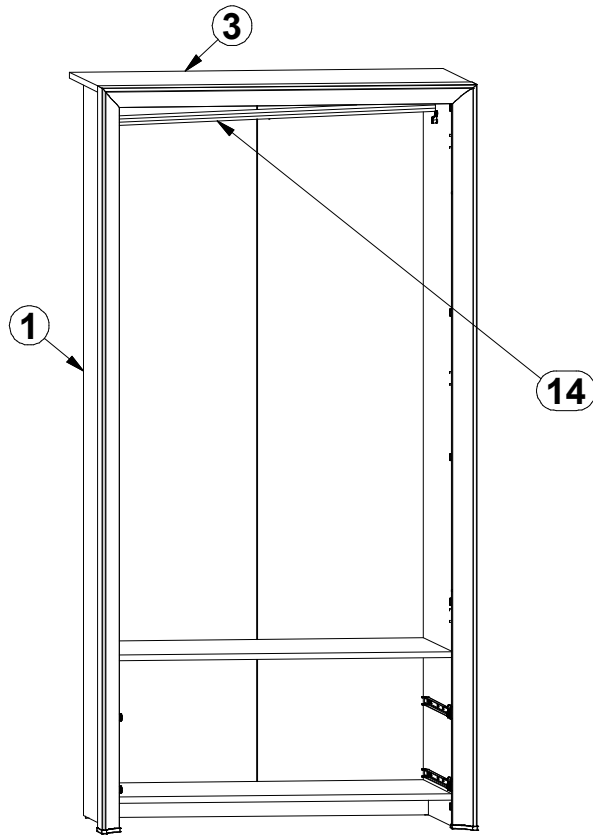


12x $\phi 6 \times 13$ mm e3	29x $\phi 8 \times 30$ mm f1	8x $\phi 6.5 \times 40$ mm f25	4x k1	1x k58/L	1x k58/P	70x l1	2x n1	2x $\phi 3.5 \times 13$ mm p1
4x $\phi 3.5 \times 16$ mm p25	8x $\phi 3 \times 12$ mm p54	38x $\phi 1.5 \times 12$ mm #16 r1	2x r10	8x $\phi 12 \times 10.5$ mm #12 r15	42x r16	20x $\phi 16$ s2	2x 483 mm t17	2x 500 mm w26/CL
2x 500 mm w26/CR	2x 500 mm w26/DL	2x 500 mm w26/DR	1x n26/l	1x $\phi 3.5 \times 16$ mm p38				





7  §18



8

