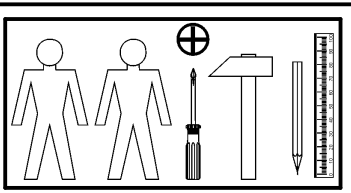
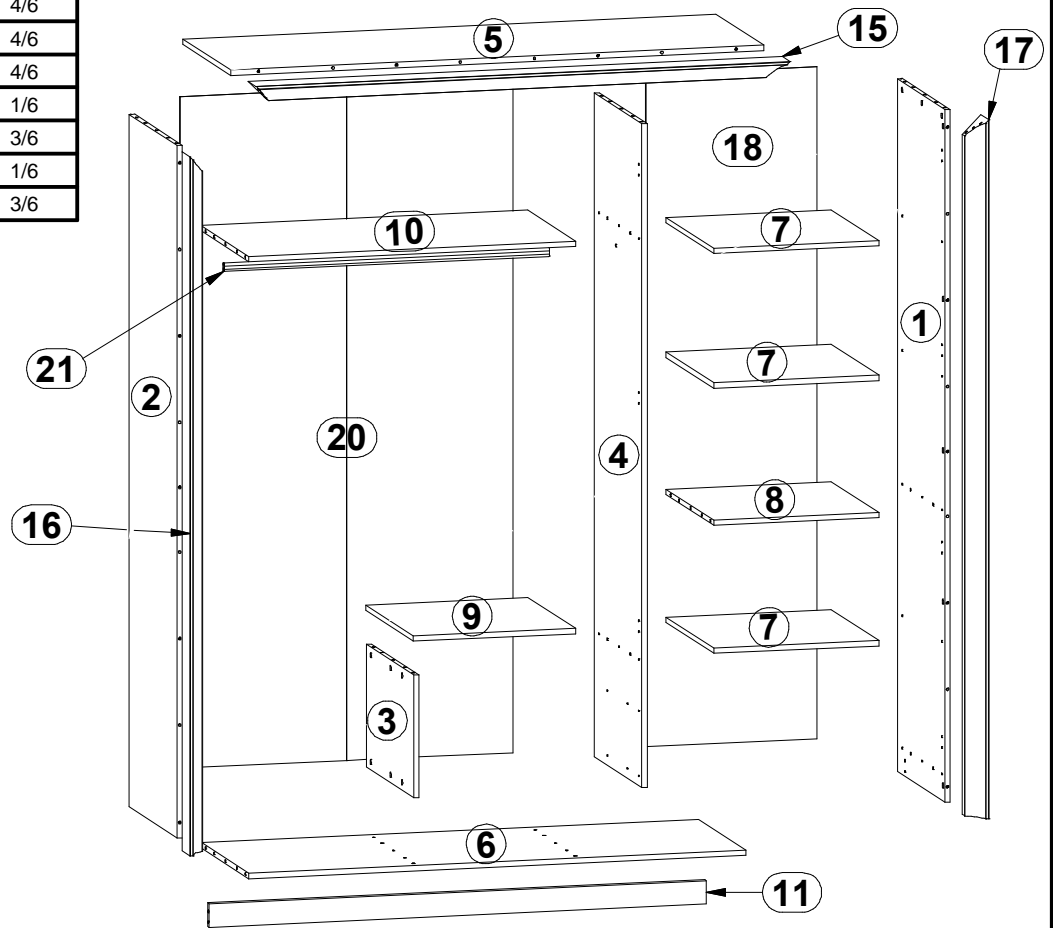
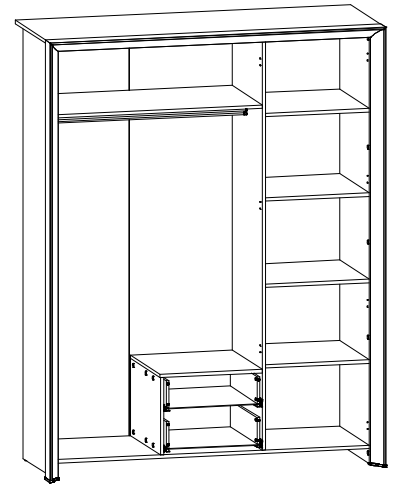


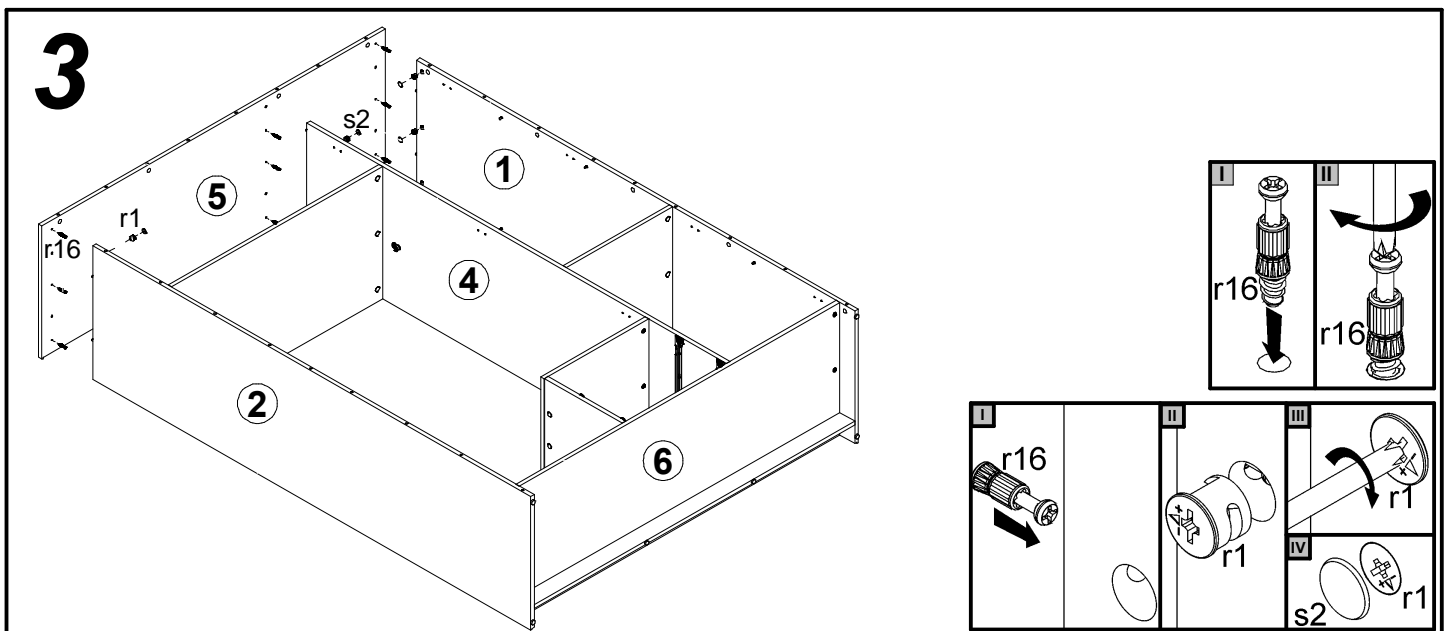
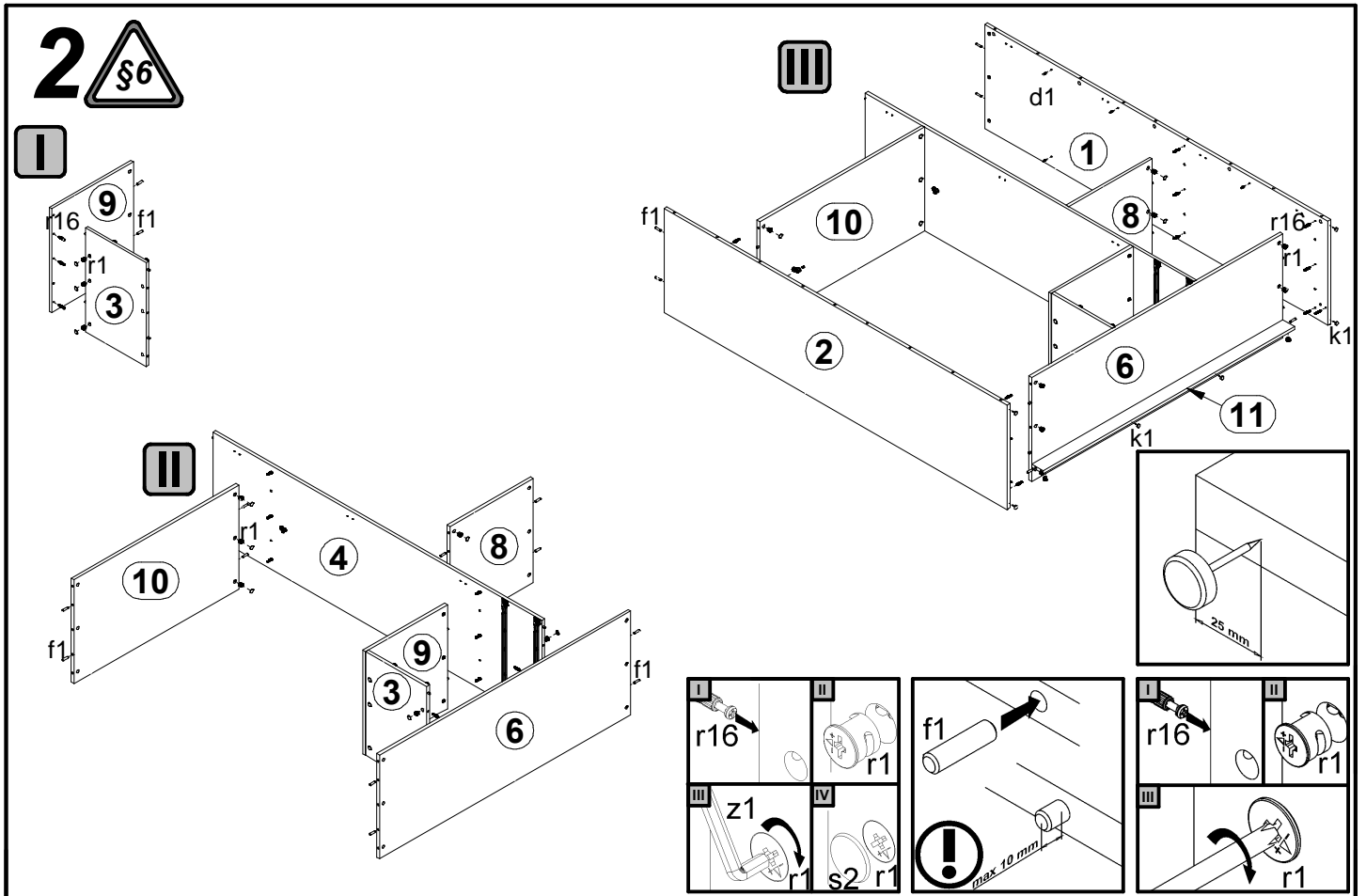
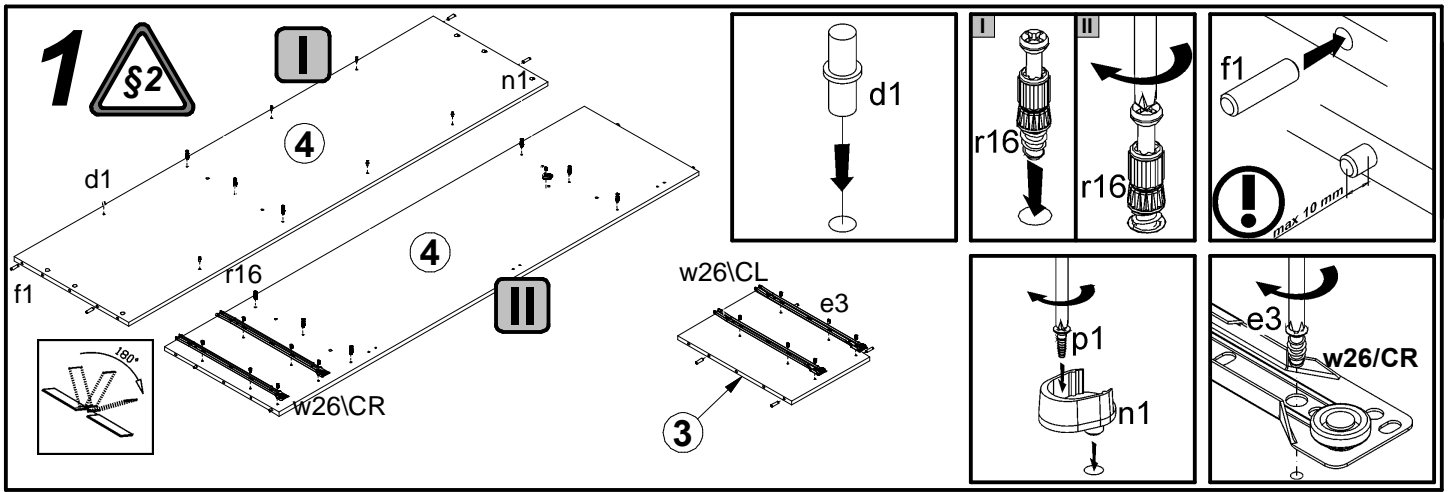
SORRENTO

S58-SZF3D2S_21_16

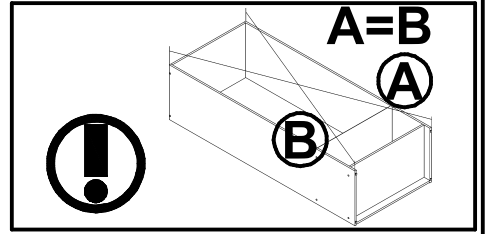
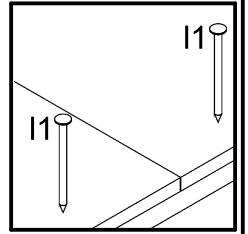
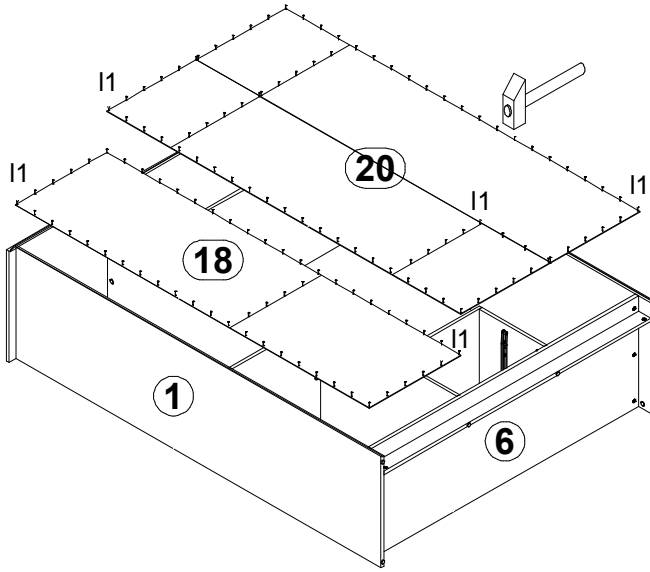
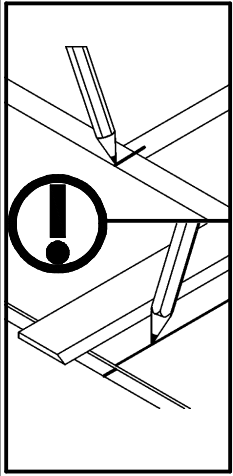
A	B	C	D	
1	S58-111	2050	540	1/6
2	S58-112	2050	540	1/6
3	S58-113	364	536	2/6
4	S58-114	1964	536	2/6
5	S58-205	1608	540	3/6
6	S58-306	1500	536	2/6
7	S58-307	498	536	3/6
8	S58-308	498	536	3/6
9	S58-311	489	536	2/6
10	S58-322	986	536	2/6
11	S58-403	1500	70	3/6
12	S58-505	500	140	3/6
13	S58-506	500	140	3/6
14	S58-511	423	140	3/6
15	S58-563	1610	90	4/6
16	S58-564	2069	90	4/6
17	S58-565	2069	90	4/6
18	S58-907	1988	515	1/6
19	S58-910	433	498	3/6
20	S58-9910	1988	1005	1/6
21	dr-981	981	30	3/6



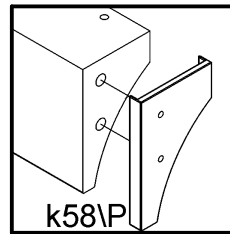
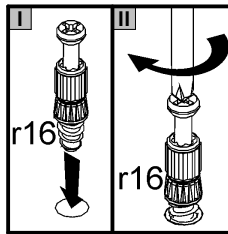
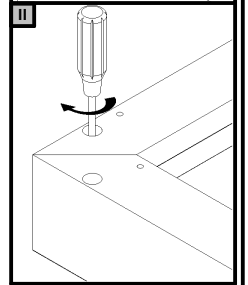
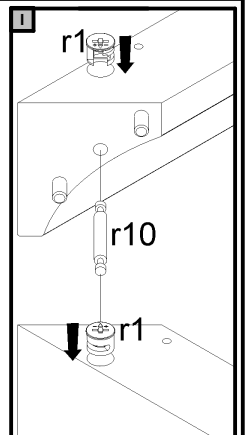
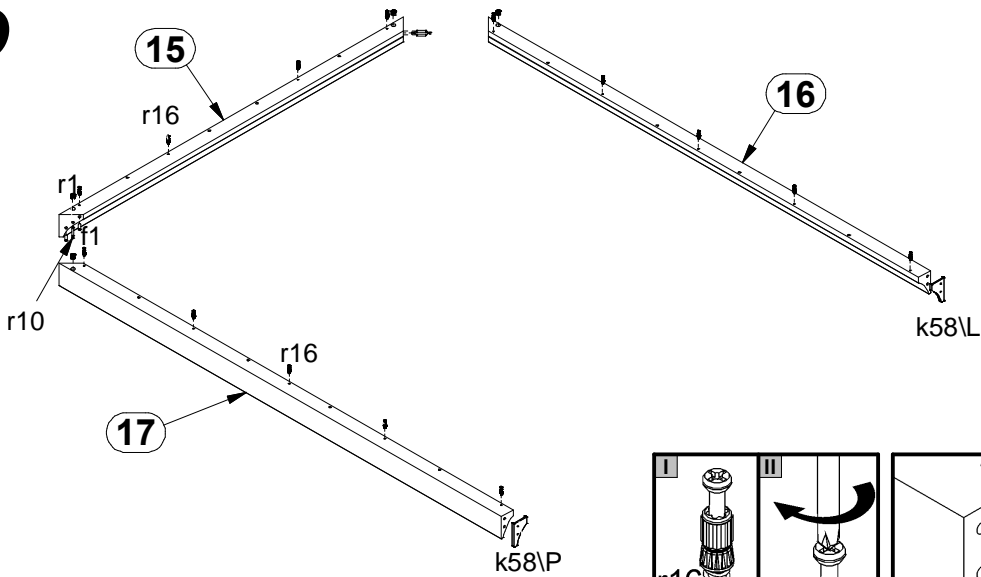
12x $\phi 5 \times 17$ mm d1	12x $\phi 6 \times 13$ mm e3	44x $\phi 8 \times 30$ mm f1	8x $\phi 6.5 \times 40$ mm f25	6x k1	1x k58\L	1x k58\P	140x l1	2x n1
2x $\phi 3.5 \times 13$ mm p1	8x $\phi 3 \times 12$ mm p54	59x $\phi 1.5 \times 12$ mm #16 r1	2x r10	8x $\phi 12 \times 10.5$ mm #12 r15	63x r16	44x $\phi 16$ s2	2x 500 mm w26\CL	2x 500 mm w26\CR
2x 500 mm w26\DL	2x 500 mm w26\DR	1x n26\1	1x $\phi 3.5 \times 16$ mm p38					



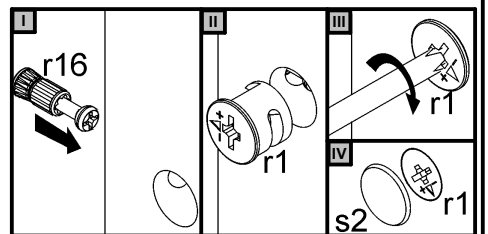
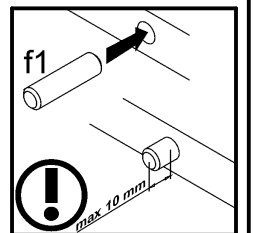
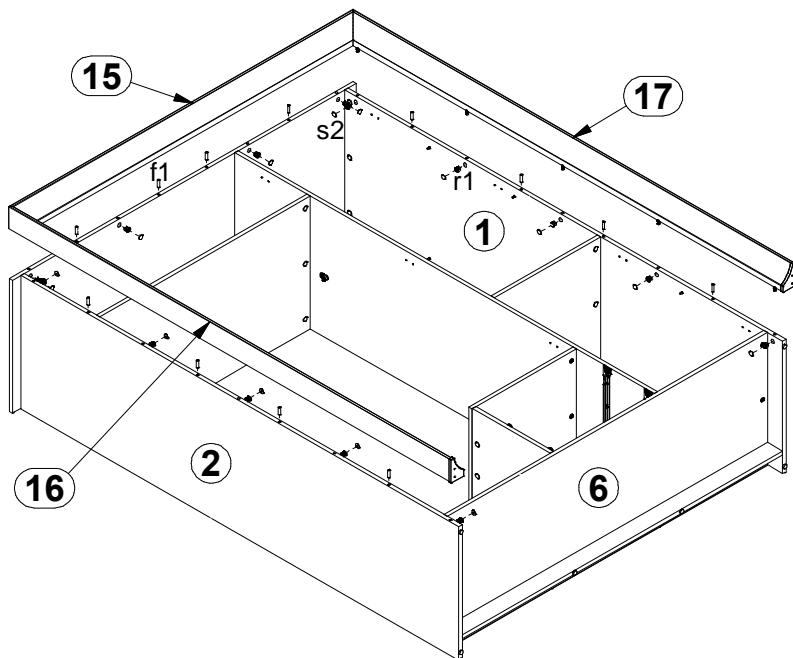
4



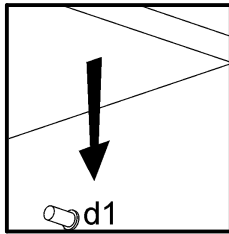
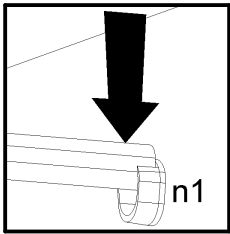
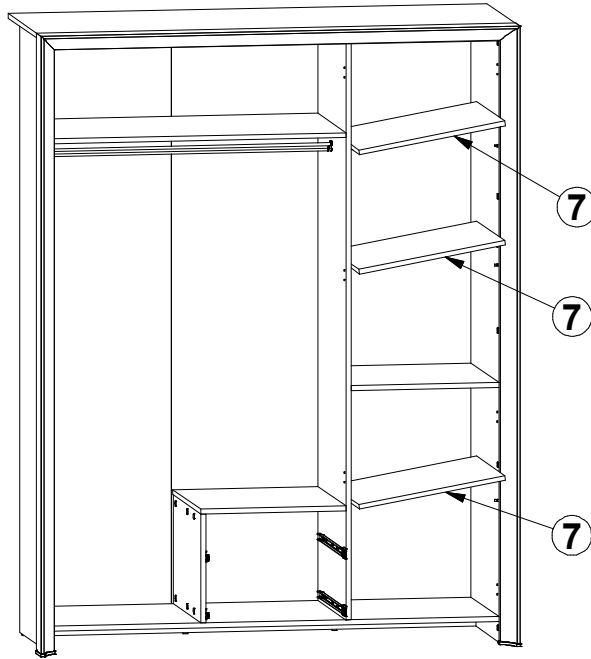
5



6



7



8

