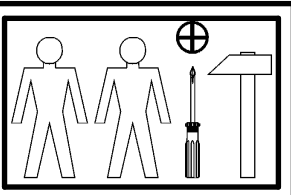
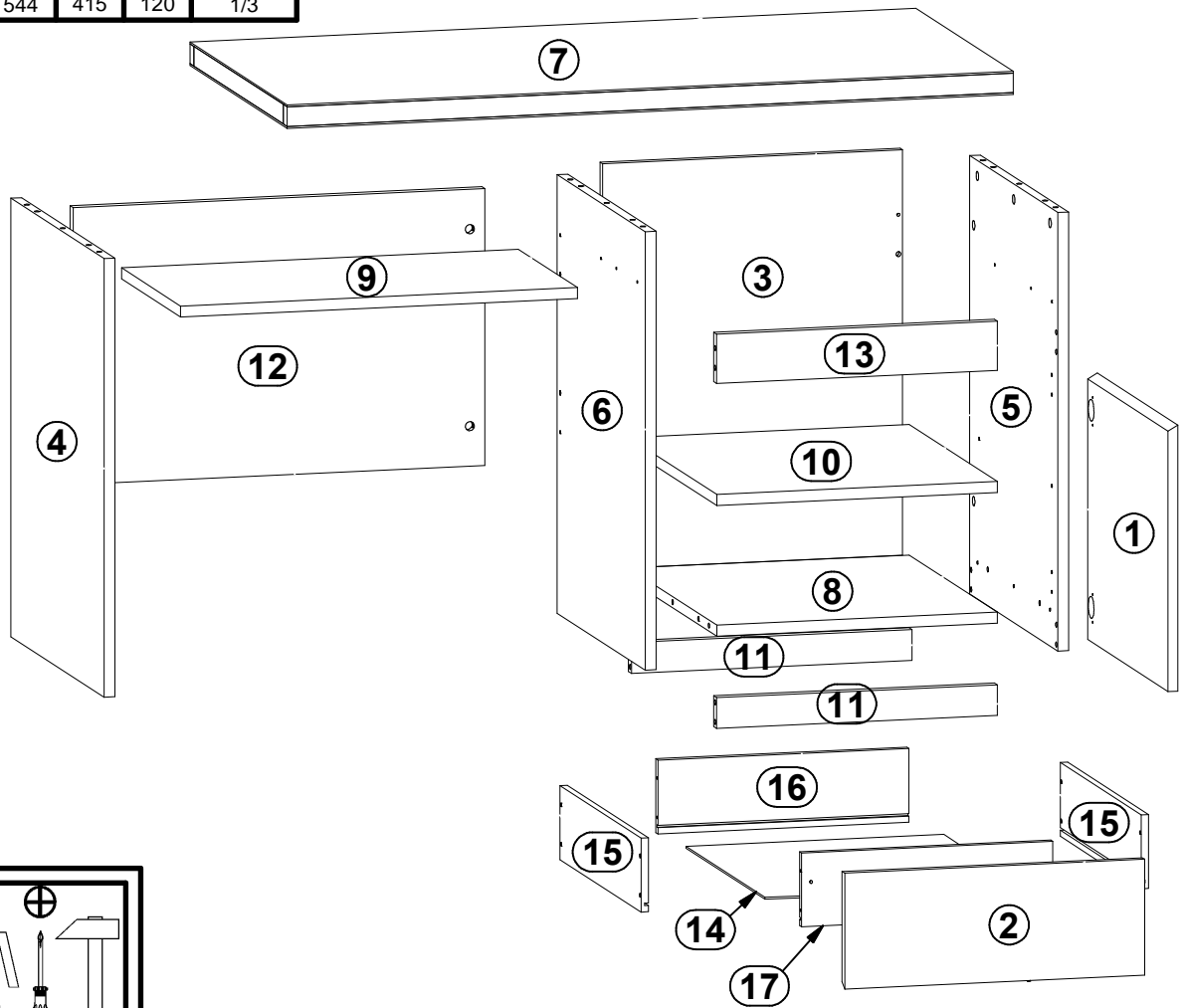
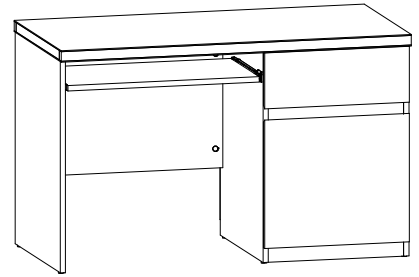
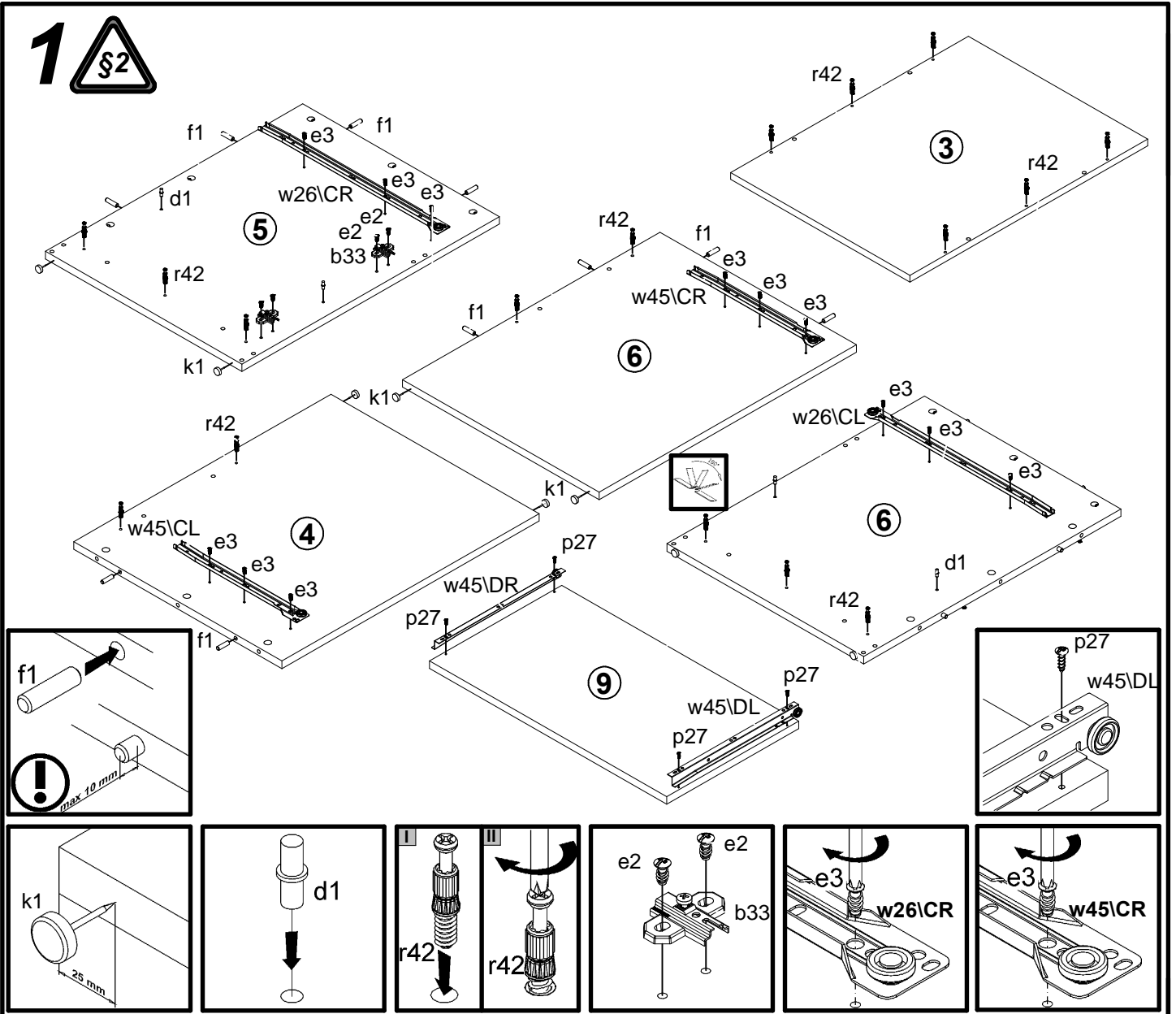


A	B	C	D	
1	S73-010	432	496	3/3
2	S73-011	496	188	3/3
3	S73-012	658	496	3/3
4	S73-112	712	576	1/3
5	S73-113	712	544	1/3
6	S73-114	712	544	1/3
7	S73-206	1200	600	2/3
8	S73-306	464	544	1/3
9	S73-307	656	365	1/3
10	S73-308	464	544	1/3
11	S73-402	464	50	1/3
12	S73-405	681	450	1/3
13	S73-406	464	80	1/3
14	S73-909	426	486	1/3
15	ZS1-1501	500	120	1/3
16	ZS1-1543	415	120	1/3
17	ZS1-1544	415	120	1/3

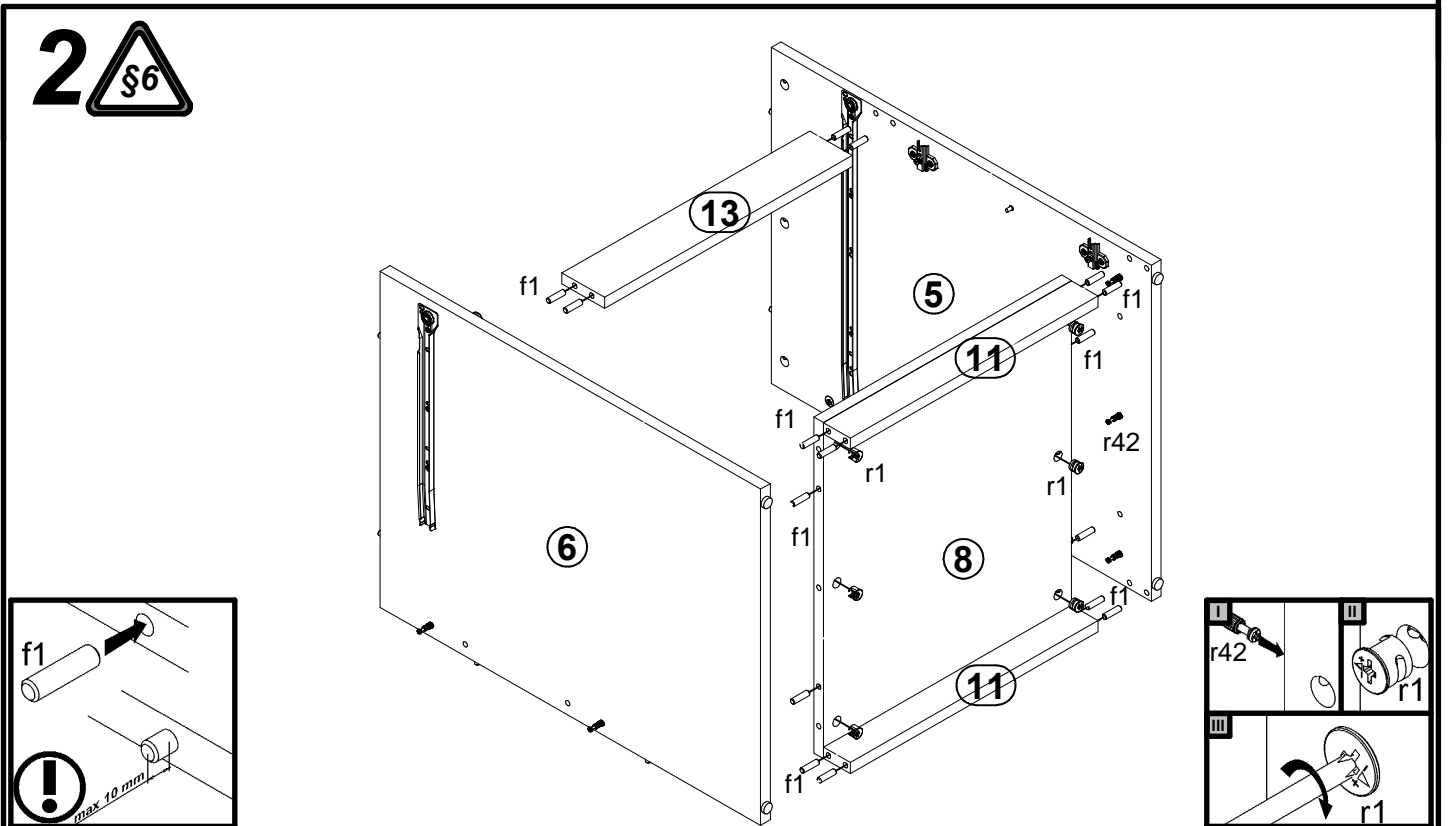


2x a44	2x b33	4x φ5x17 mm d1	4x φ6,3x13 mm e2	12x φ6x13 mm e3	8x φ5x50 mm e32	30x φ8x30 mm f1	2x M4x20 mm j1	6x k1
4x φ2,5x13 mm p15	4x φ3,5x13 mm p27	4x φ3,5x15 mm p51	25x φ1,5x12mm #16 r1	2x φ2,1x10mm r31	25x r42	11x φ16 s2	1x 500 mm w26\CL	1x 500 mm w26\CR
1x 500 mm w26\DL	1x 500 mm w26\DR	1x 350 mm w45\CL	1x 350 mm w45\CR	1x 350 mm w45\DL	1x 350 mm w45\DR			

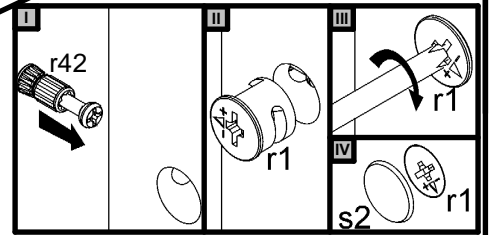
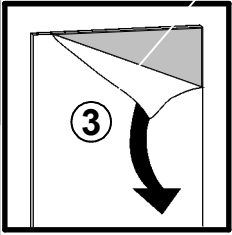
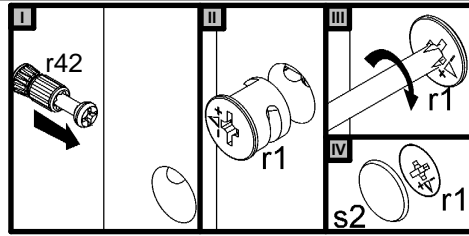
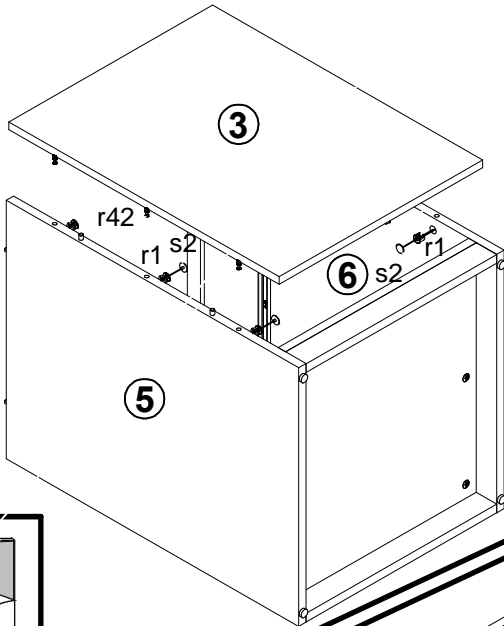
1



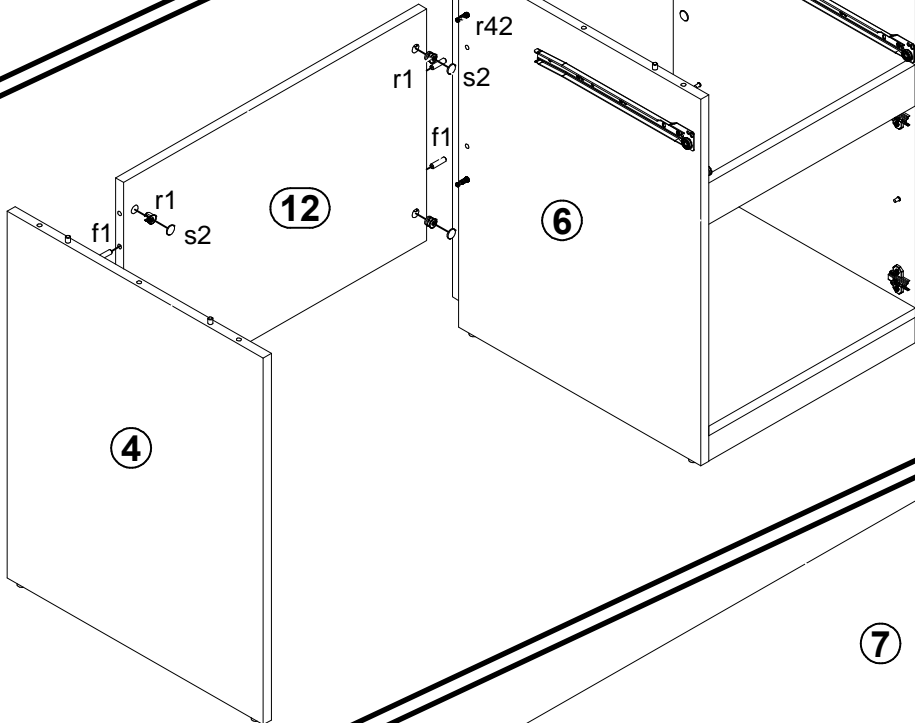
2



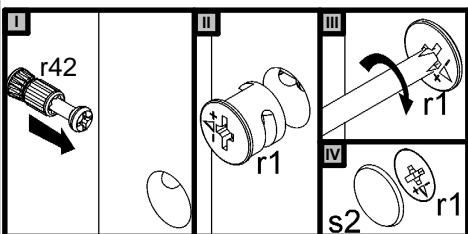
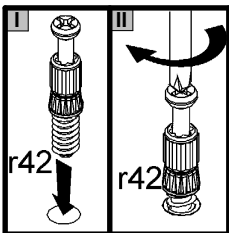
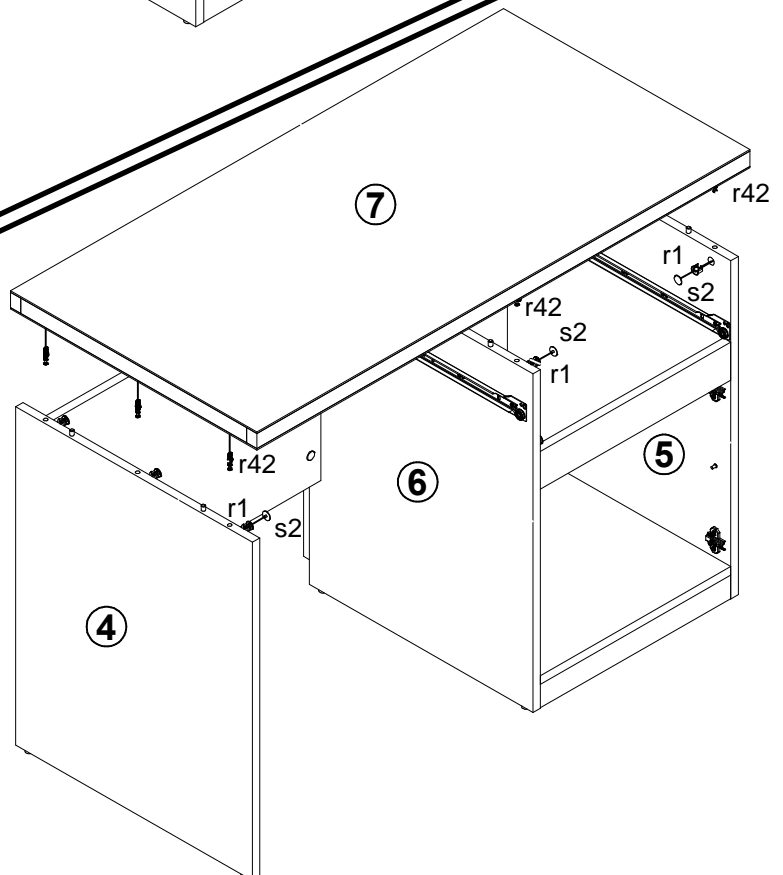
3



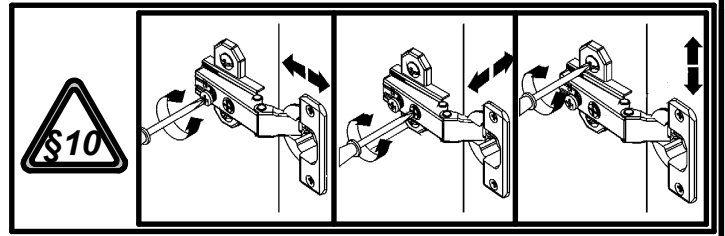
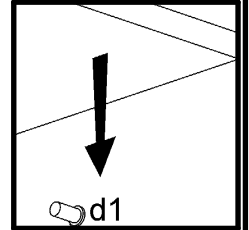
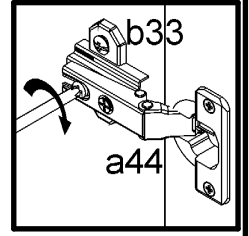
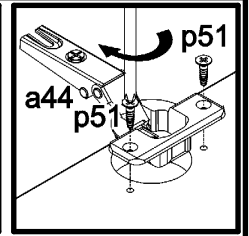
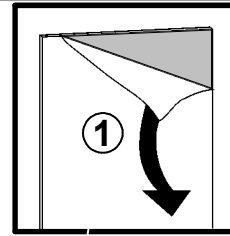
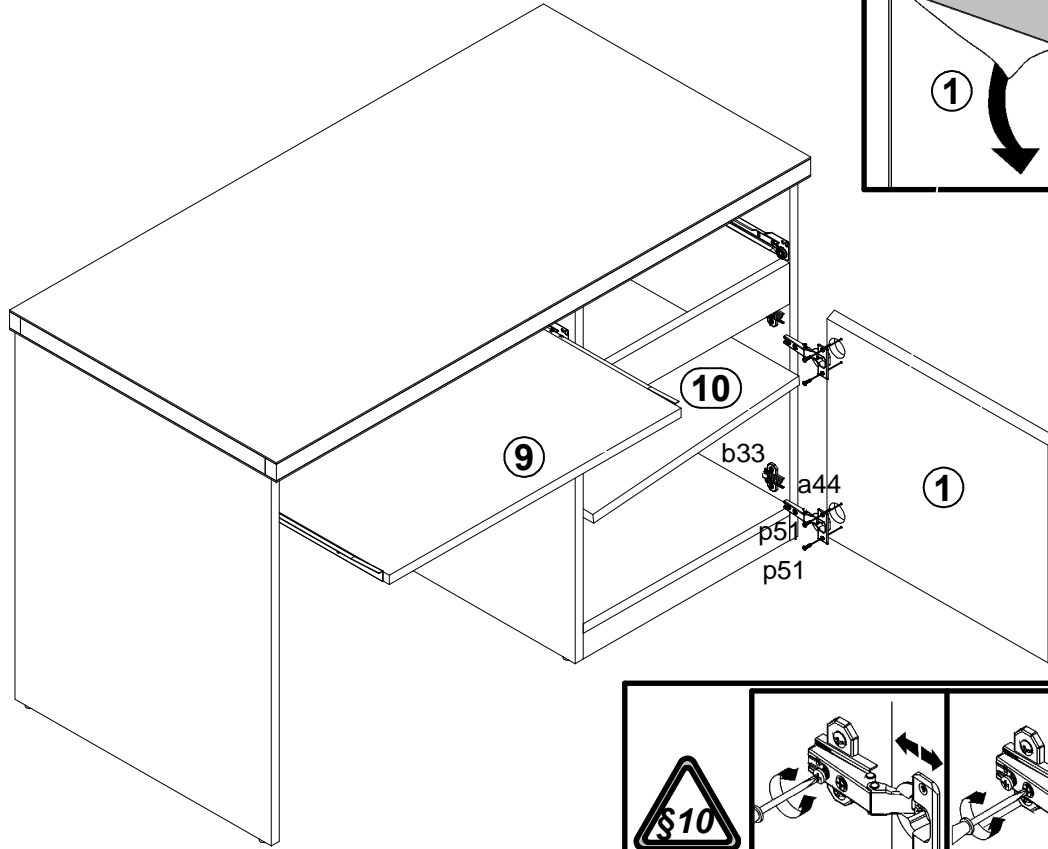
4



5



6



7

