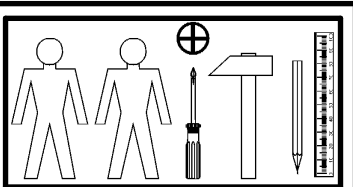
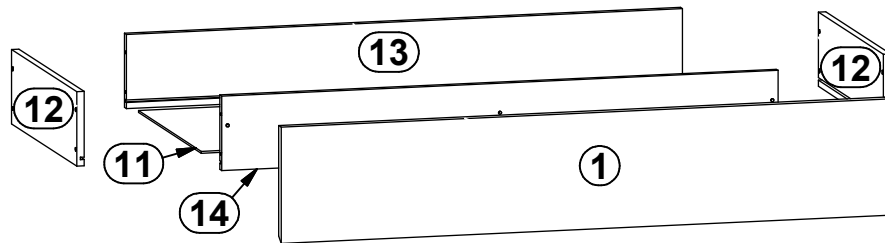
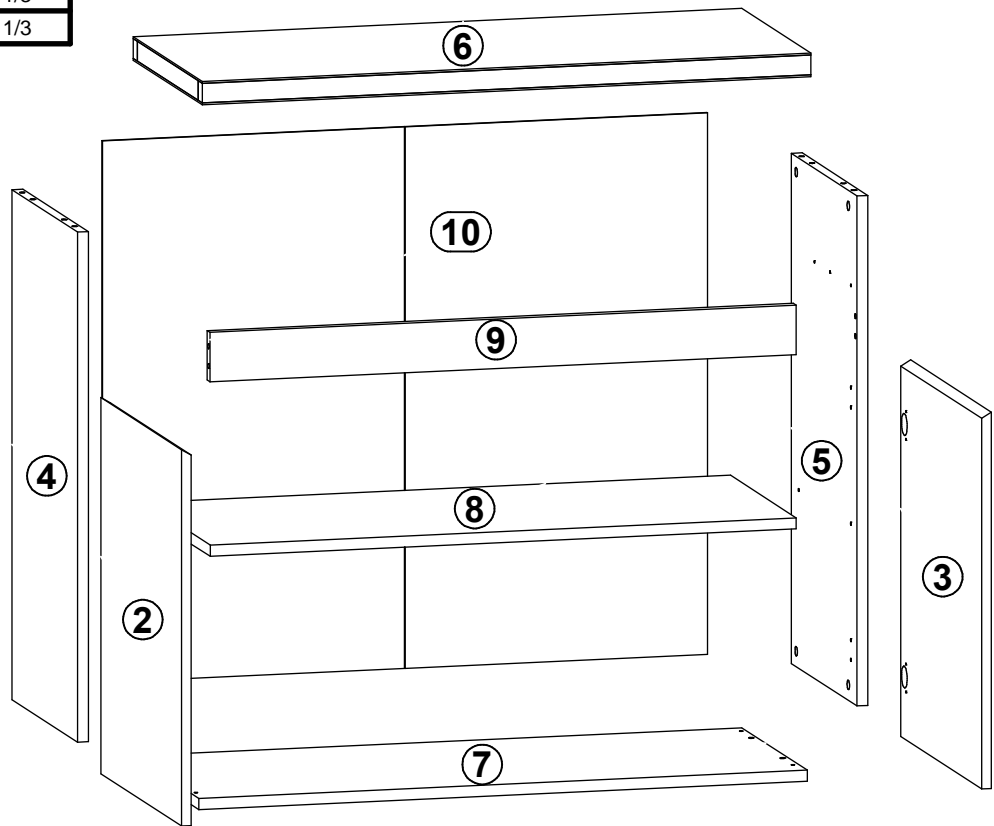
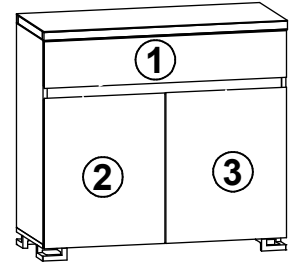
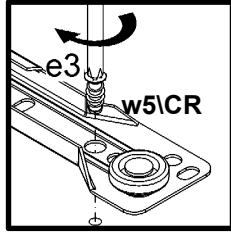
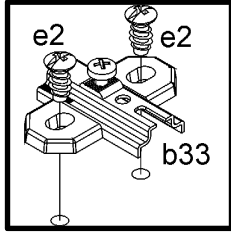
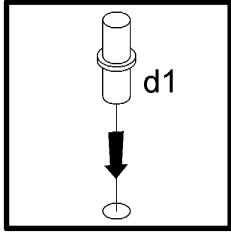
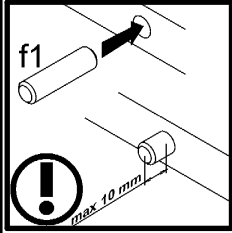
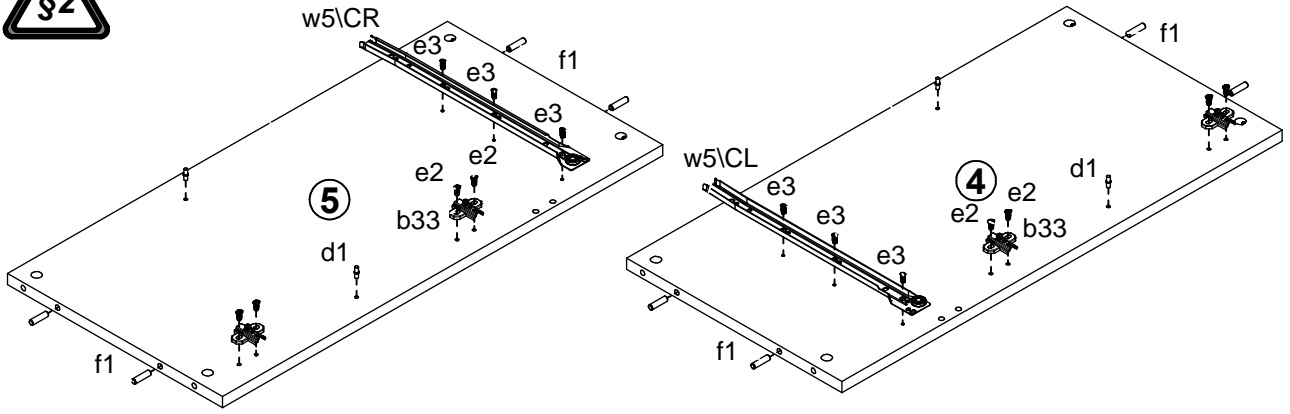


A	B	C	D	
1	S73-002	996	188	3/3
2	S73-013	608	496	3/3
3	S73-014	608	496	3/3
4	S73-118	824	403	1/3
5	S73-119	824	403	1/3
6	S73-201	1001	424	2/3
7	S73-202	1001	403	2/3
8	S73-314	964	403	1/3
9	S73-401	964	80	1/3
10	S73-901	875	995	1/3
11	S73-902	926	386	1/3
12	ZS1-1536	400	120	1/3
13	ZS1-1541	915	120	1/3
14	ZS1-1542	915	120	1/3

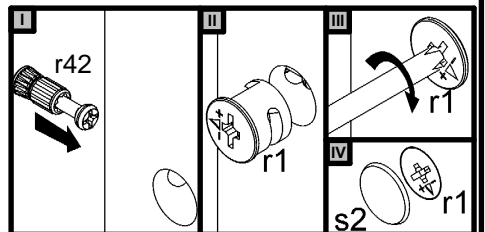
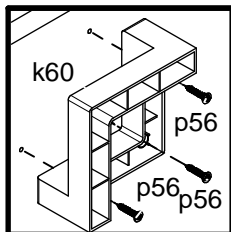
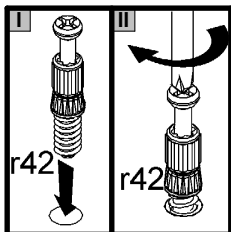
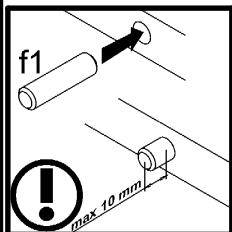
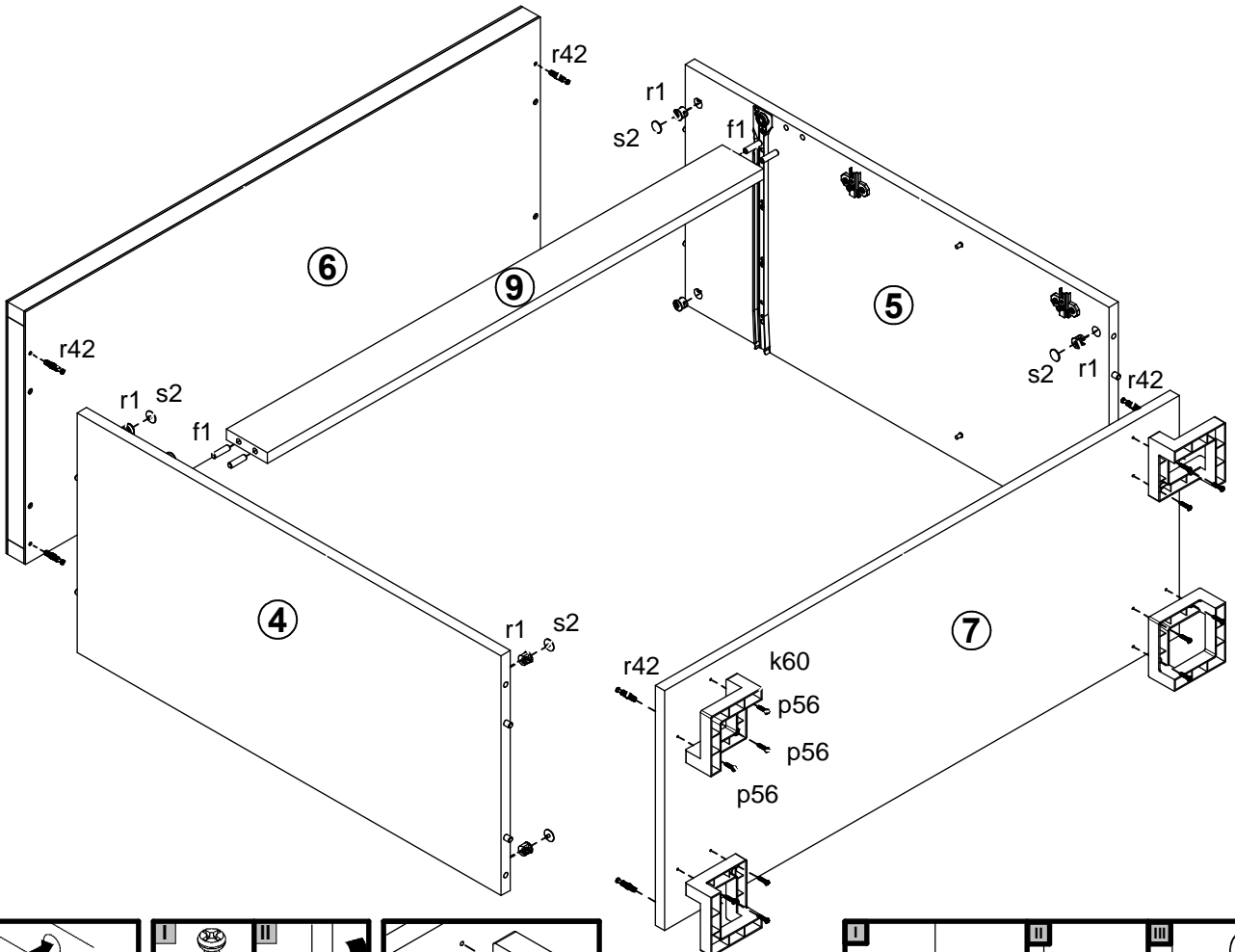


4x a44	4x b33	4x φ5x17 mm d1	8x φ6,3x13 mm e2	6x φ6x13 mm e3	8x φ5x50 mm e32	12x φ8x30 mm f1	3x M4x20 mm j1	4x k60
40x l1	4x φ2,5x13 mm p15	2x φ3,5x16 mm p25	8x φ3,5x15 mm p51	12x φ4x22 mm p56	8x φ1,5x12mm #16 r1	3x φ21x10mm r31	8x r42	6x ø16 s2
1x 375 mm t31	1x 400 mm w5\CL	1x 400 mm w5\CR	1x 400 mm w5\DL	1x 400 mm w5\DR	1x n26\1	1x φ3,5x16 mm p38		

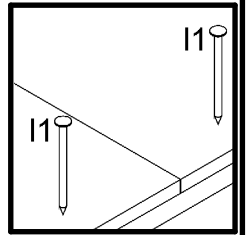
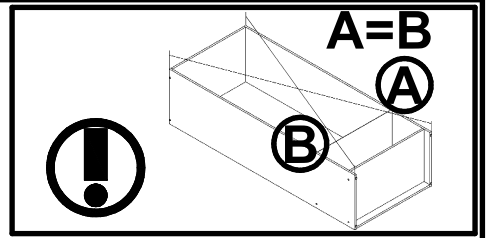
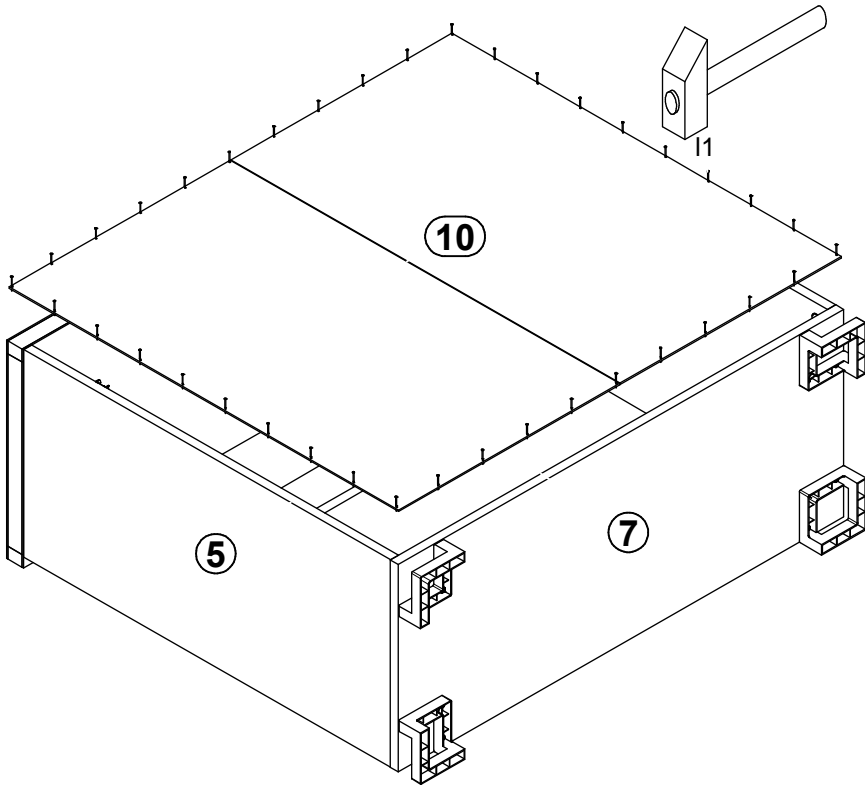
1



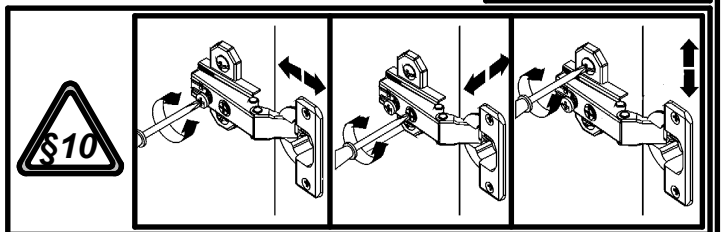
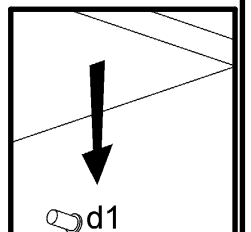
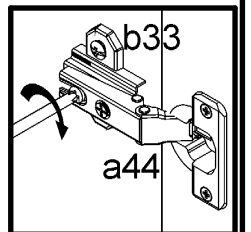
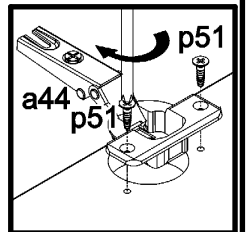
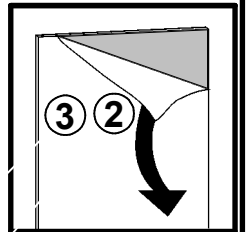
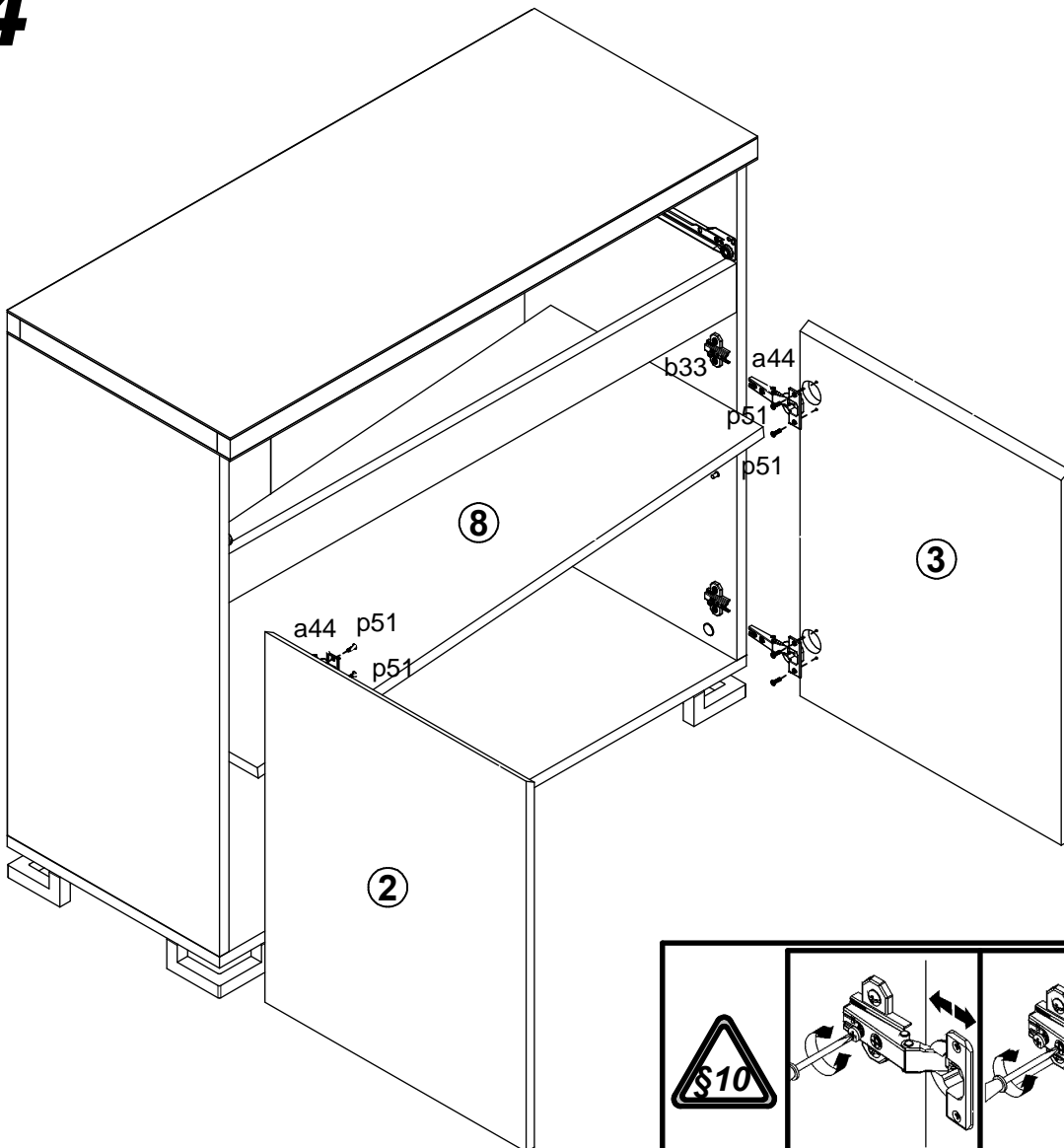
2



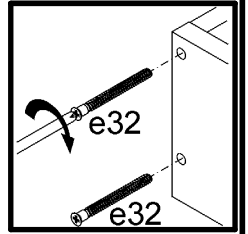
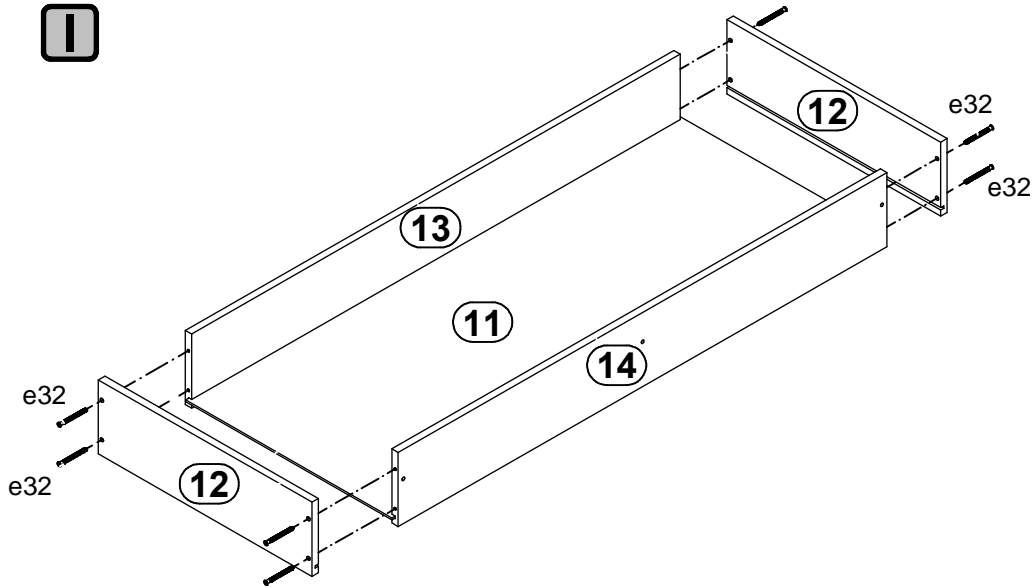
3



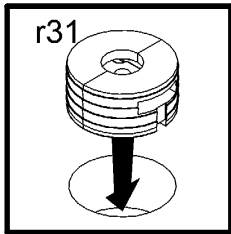
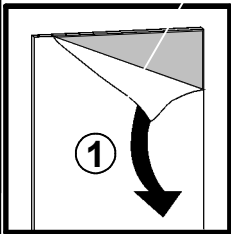
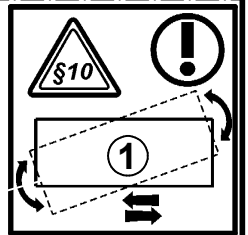
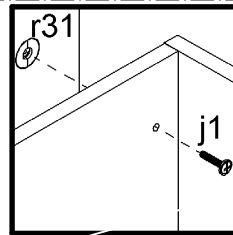
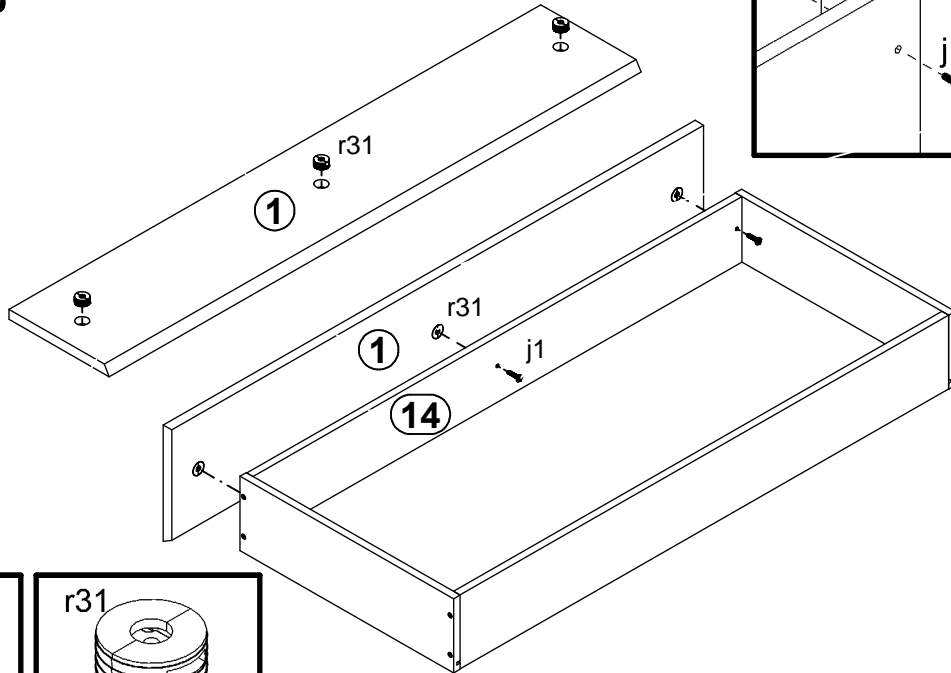
4



5 I



II



III

