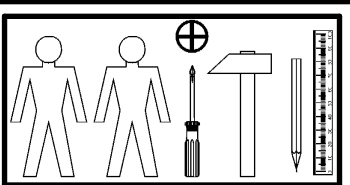
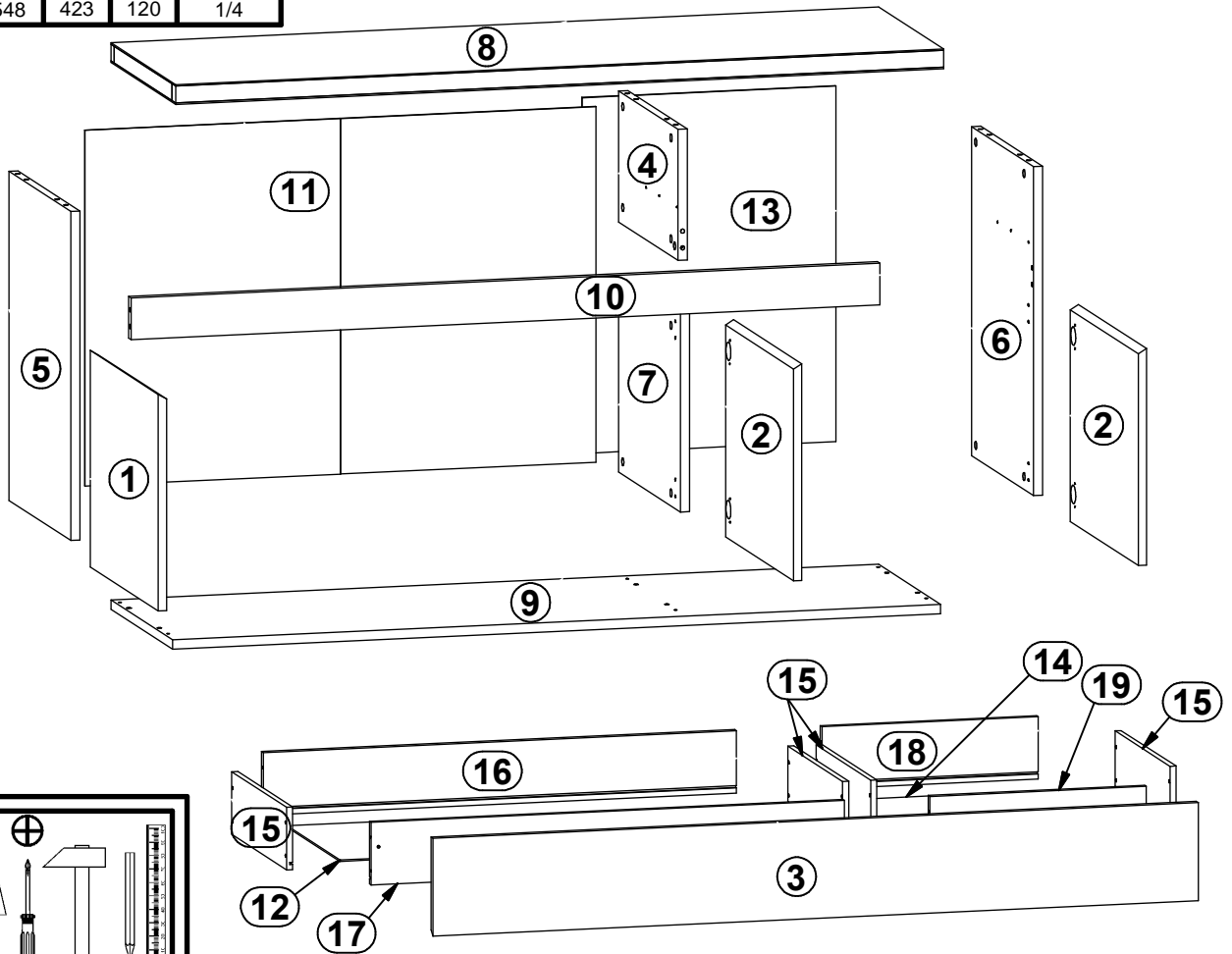
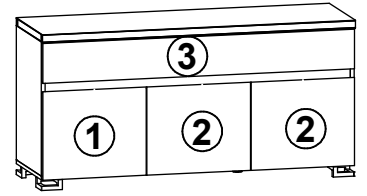
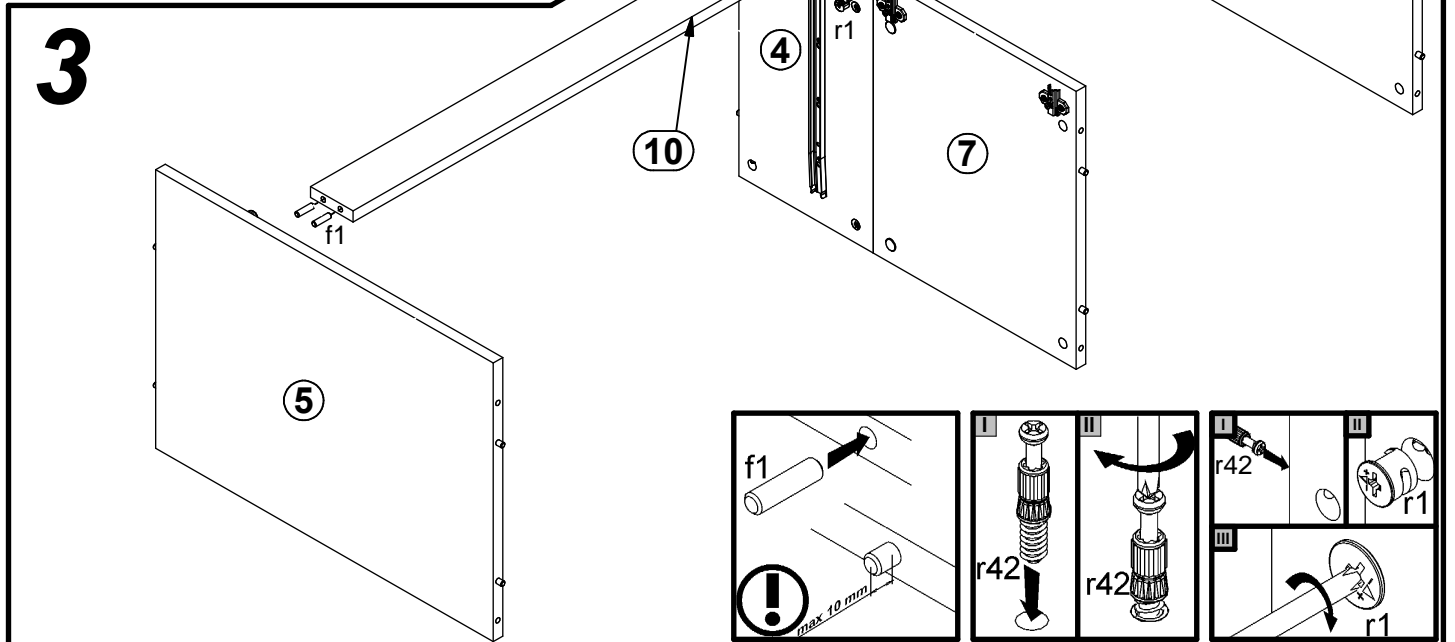
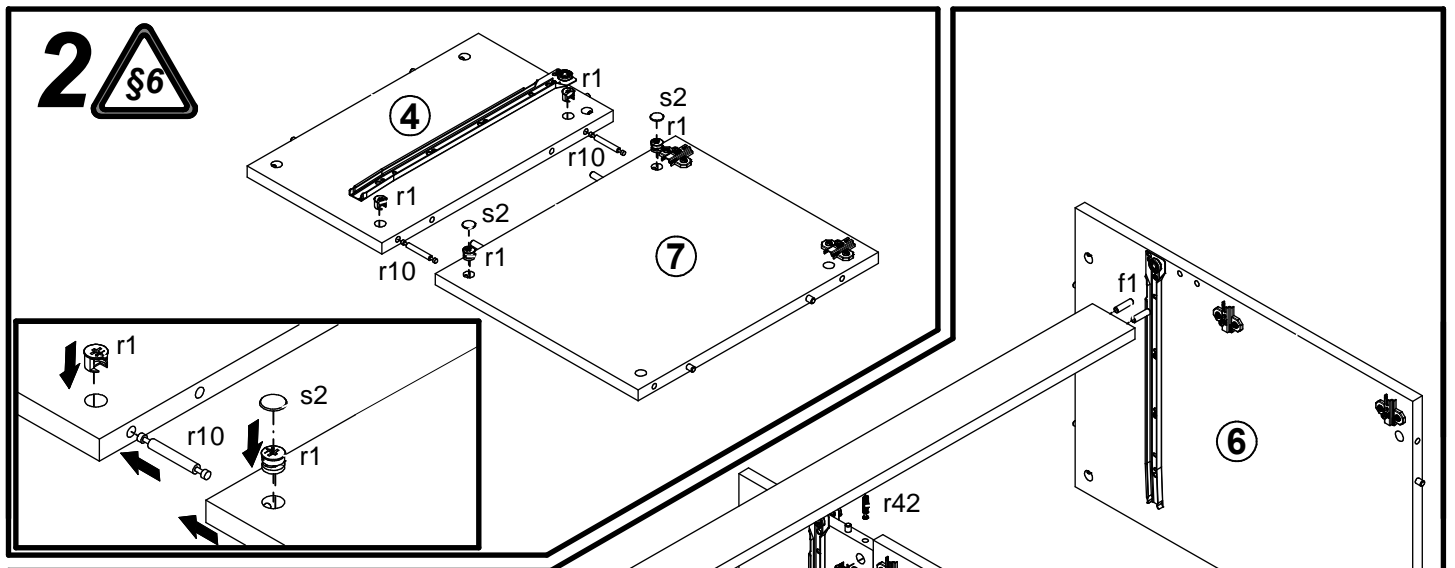
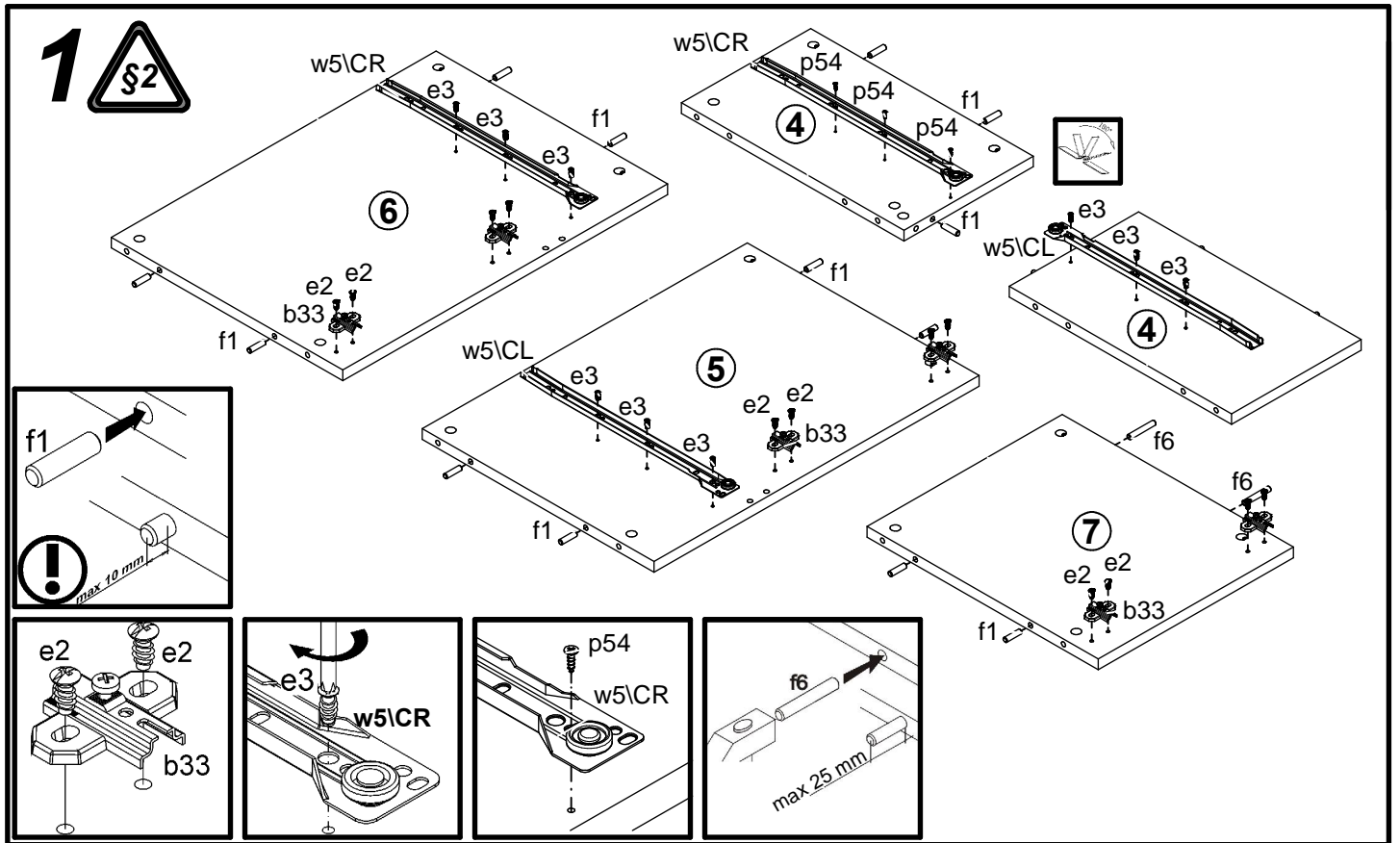
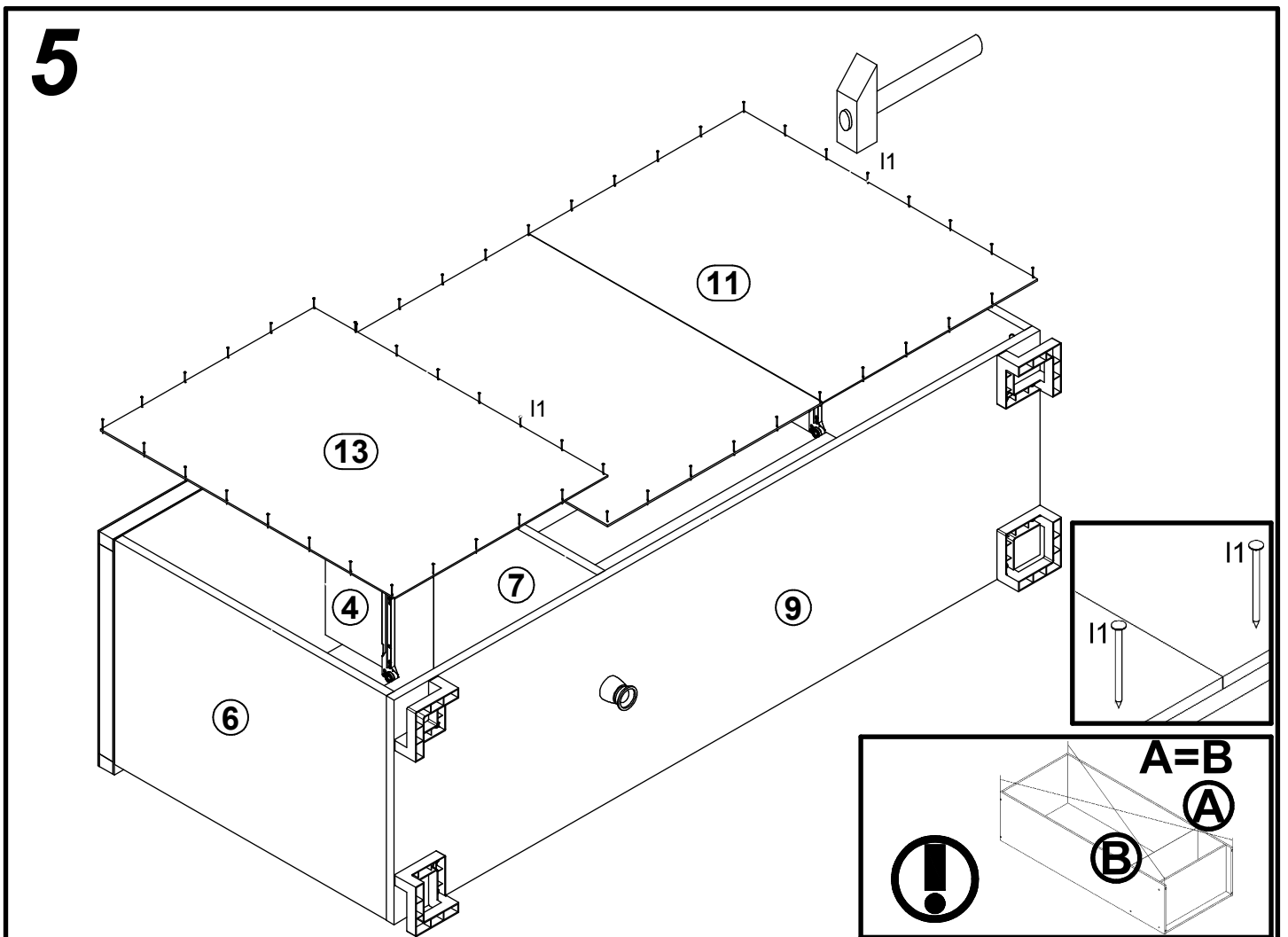
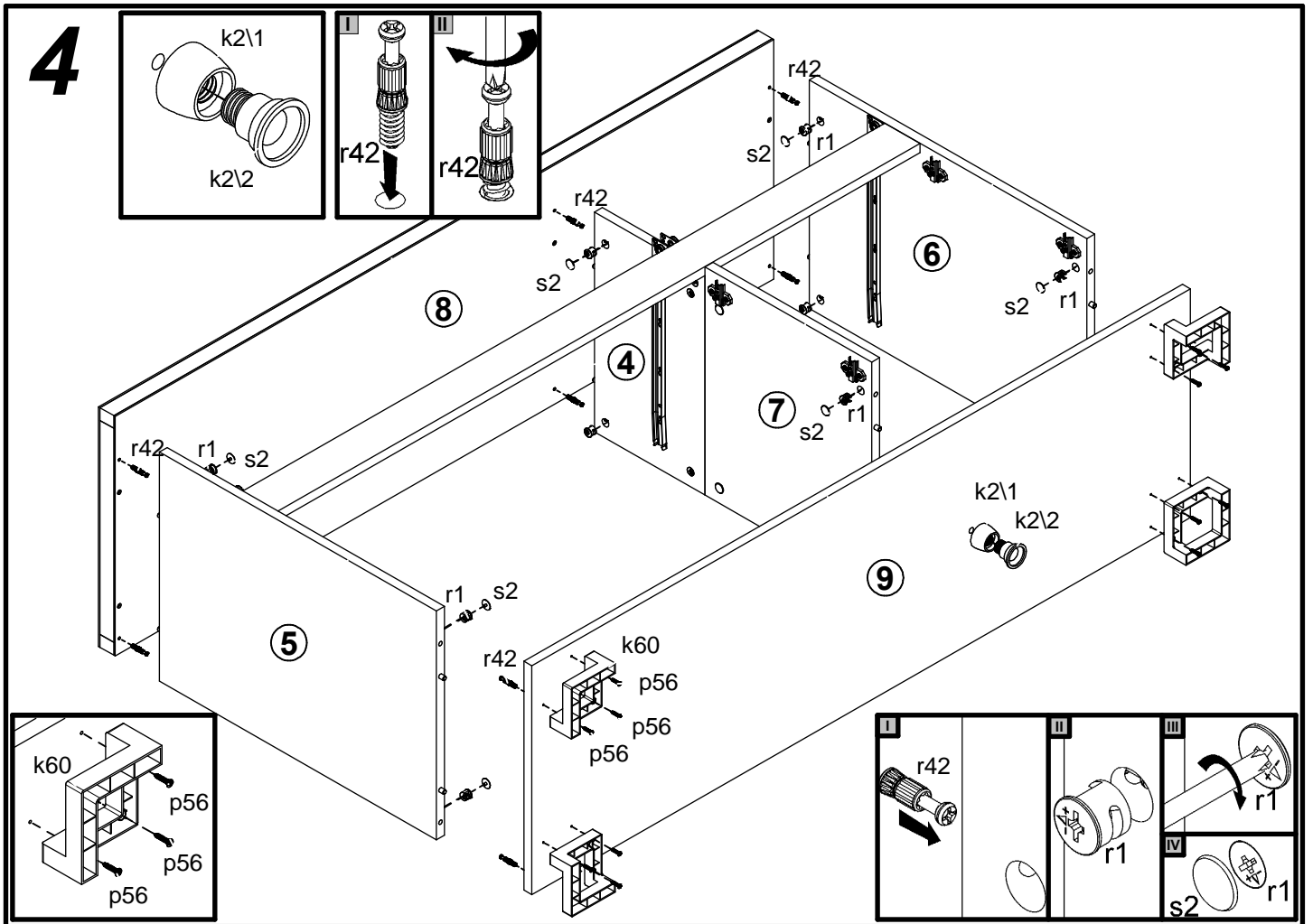


A	B	C	D
1	S73-006	416	496
2	S73-009	416	496
3	S73-016	1496	188
4	S73-122	252	433
5	S73-125	632	451
6	S73-126	632	451
7	S73-129	380	450
8	S73-209	1501	472
9	S73-210	1501	451
10	S73-414	1464	80
11	S73-908	683	999
12	S73-915	936	386
13	S73-916	683	496
14	S73-917	434	386
15	ZS1-1536	400	120
16	ZS1-1545	925	120
17	ZS1-1546	925	120
18	ZS1-1547	423	120
19	ZS1-1548	423	120

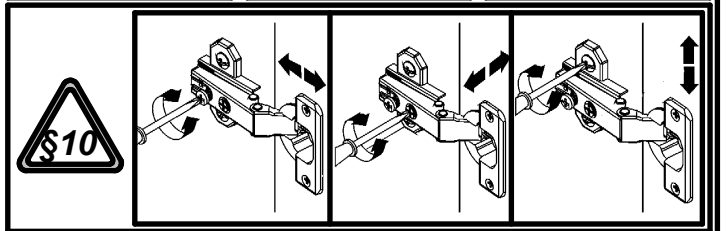
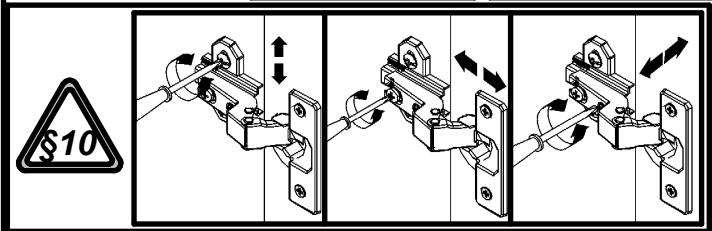
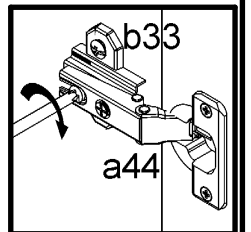
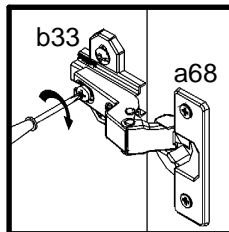
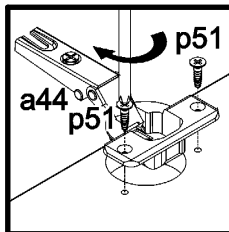
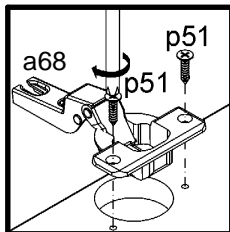
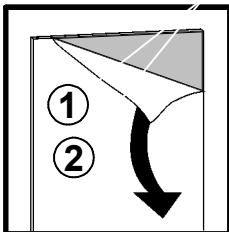
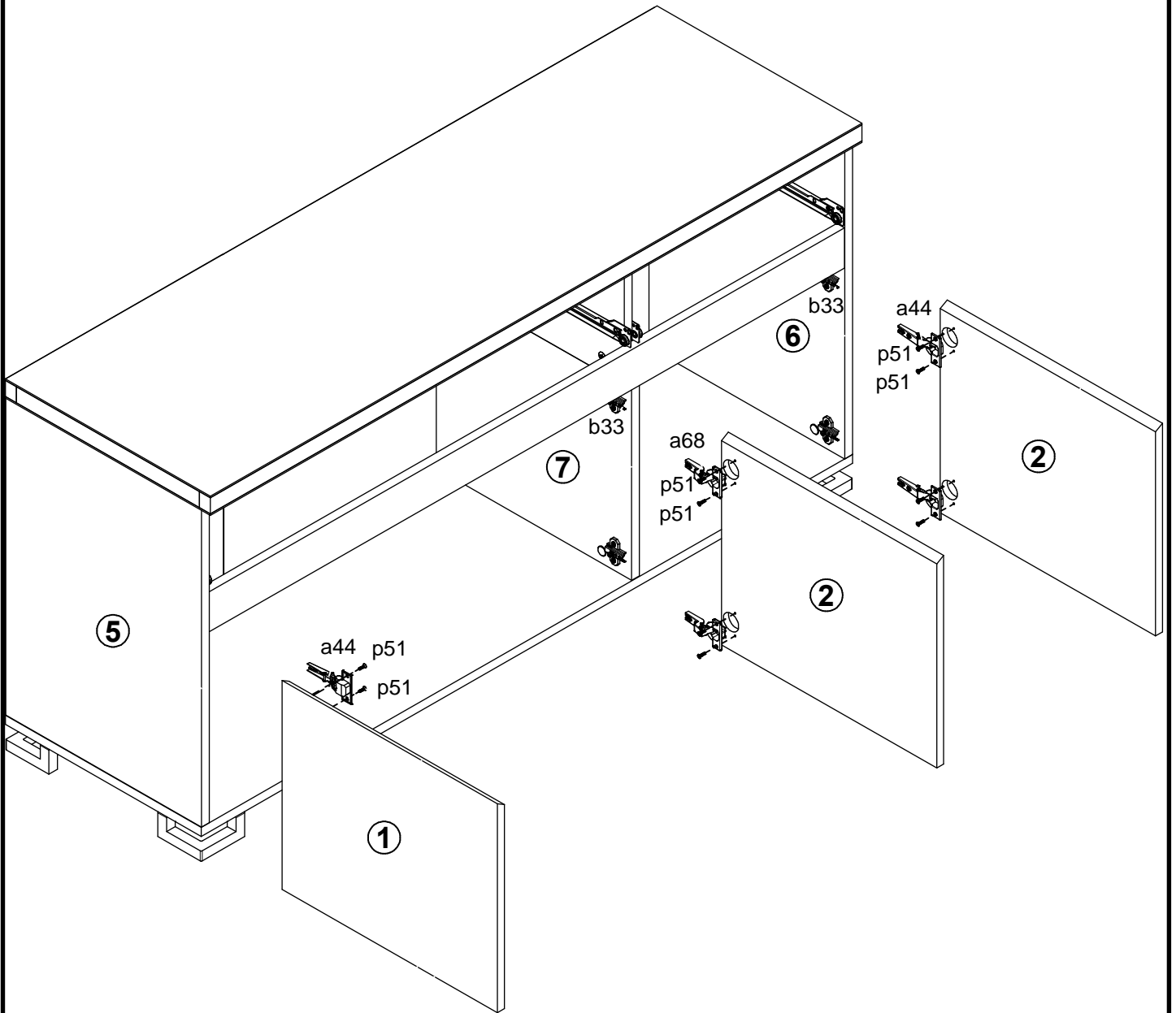


4x a44	2x a68	6x b33	12x e2 φ6,3x13 mm	9x e3 φ6x13 mm	16x e32 φ5x50 mm	17x f1 φ8x30 mm	2x f6 φ8x50 mm	5x j1 M4x20 mm
1x k211	1x k212	4x k60	60x l1	8x p15 φ2,5x13 mm	2x p25 φ3,5x16 mm	12x p51 φ3,5x15 mm	3x p54 φ3x12 mm	12x p56 φ4x22 mm
17x r1 φ1,5x12mm #16	2x r10	5x r31 φ2,1x10mm	13x r42	13x s2 ø16	1x t31 375 mm	2x w5\CL 400 mm	2x w5\CR 400 mm	2x w5\DL 400 mm
2x w5\DR 400 mm	1x n26\1	1x p38 φ3,5x16 mm						





# 6



# 7

