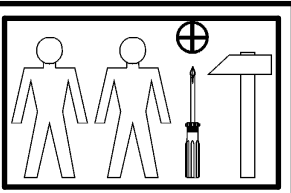
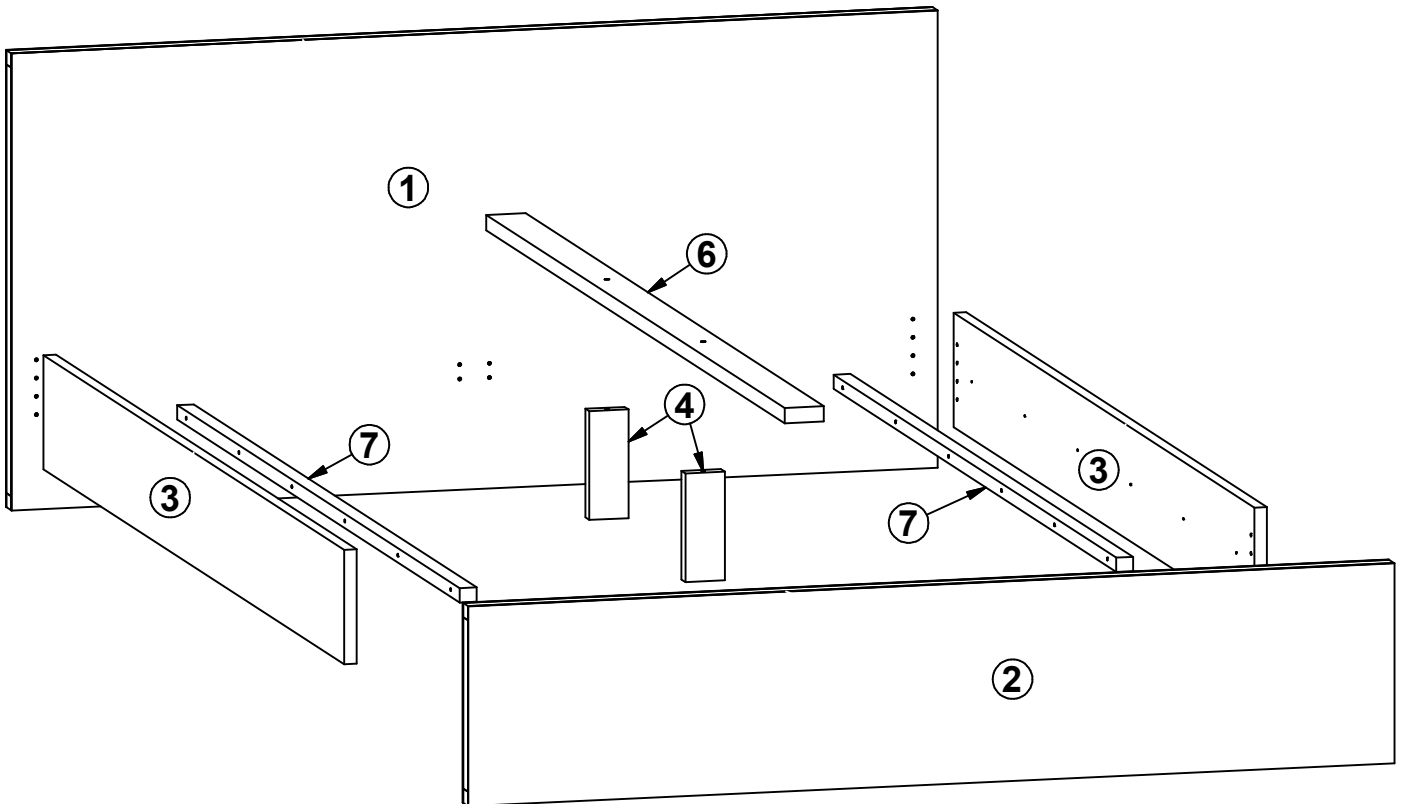
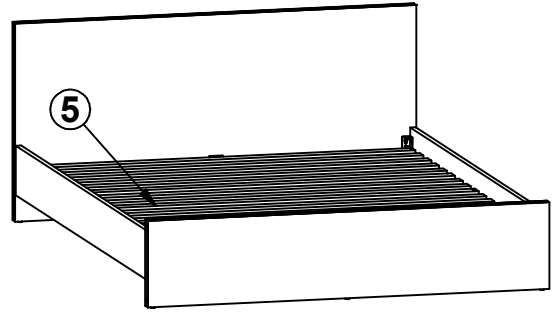
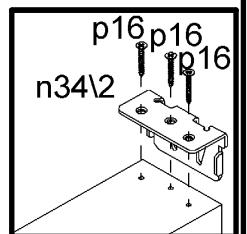
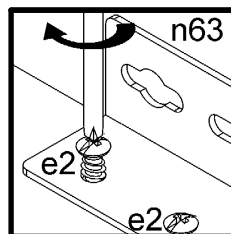
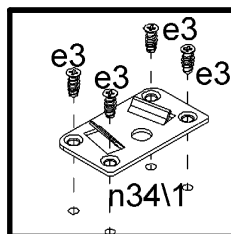
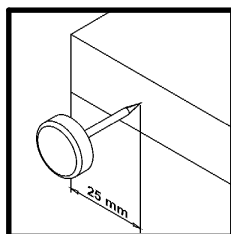
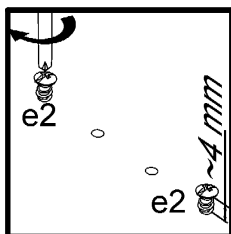
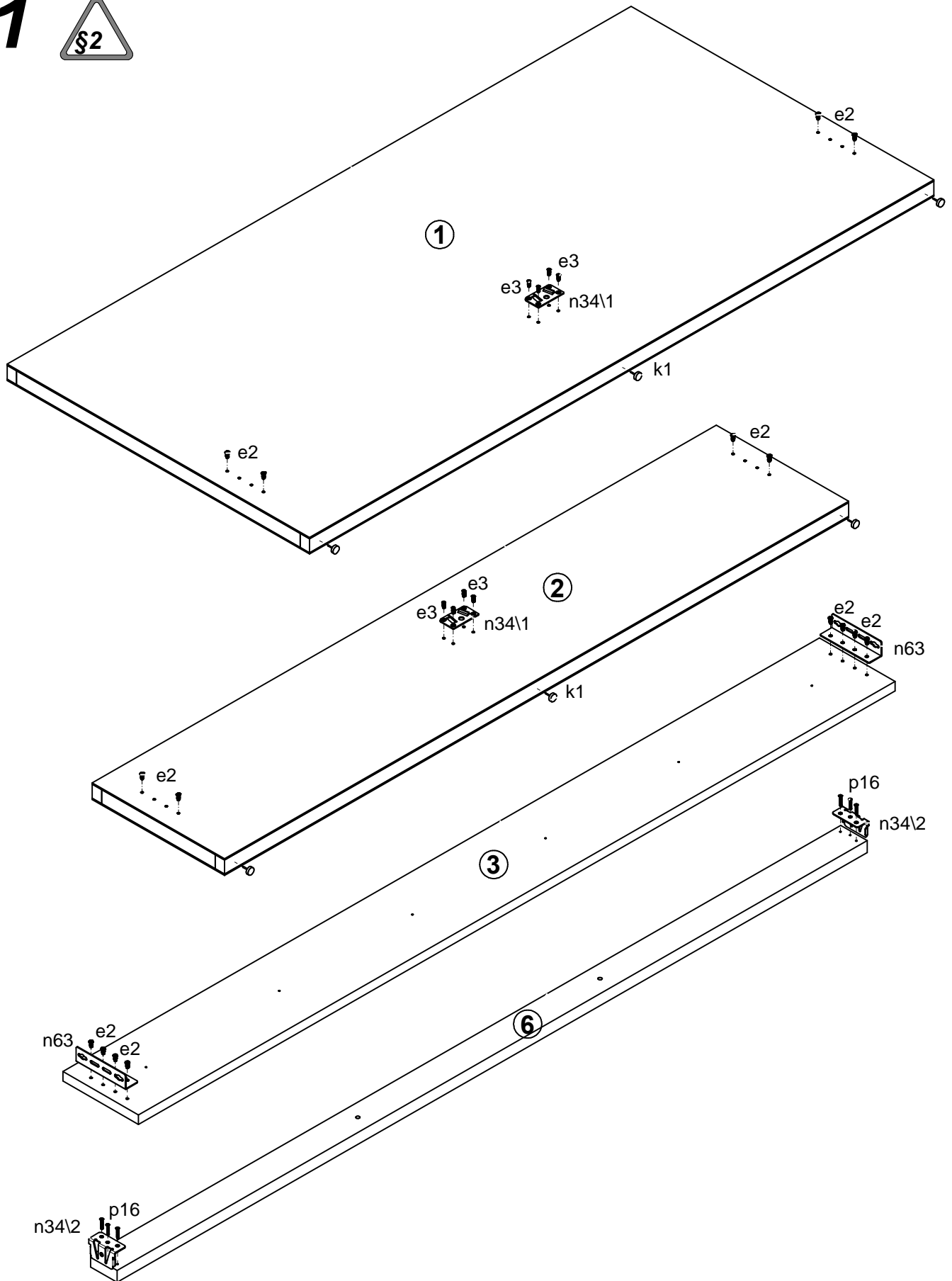


A	B	C		D
1	S73-418	1650	800	1/2
2	S73-419	1650	350	1/2
3	S73-420	2000	200	2/2
4	ZZ1-411	190	70	2/2
5	ZZ1-501	1872	1578	1/1
6	ZZ1-719	1983	70	2/2
7	ZZ1-720	1880	25	2/2

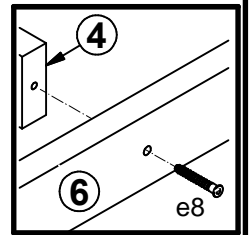
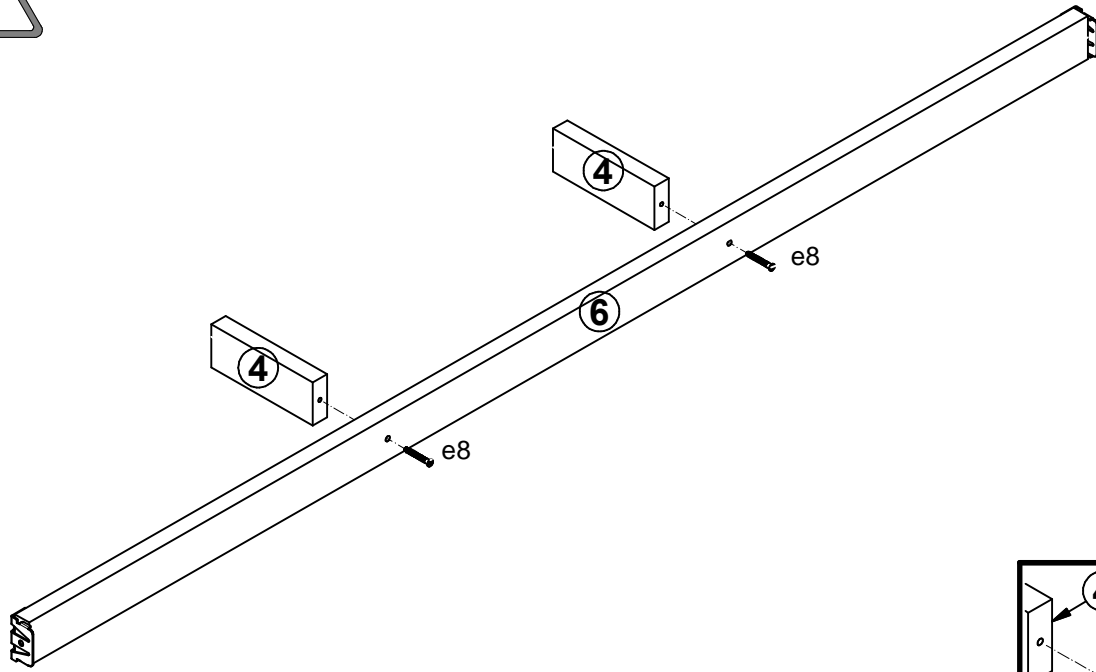


32x φ6,3x13 mm e2	8x φ6x13 mm e3	2x φ7x60 mm e8	6x k1	2x n34/1	2x n34/2	4x 130x34x34,2mm n63	12x φ4x45 mm p11	6x φ3,5x25 mm p16
6x φ4x35 mm p6	1x z1							

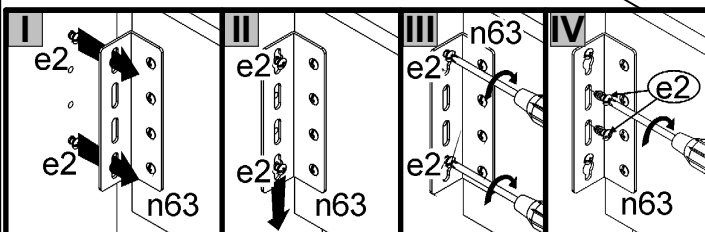
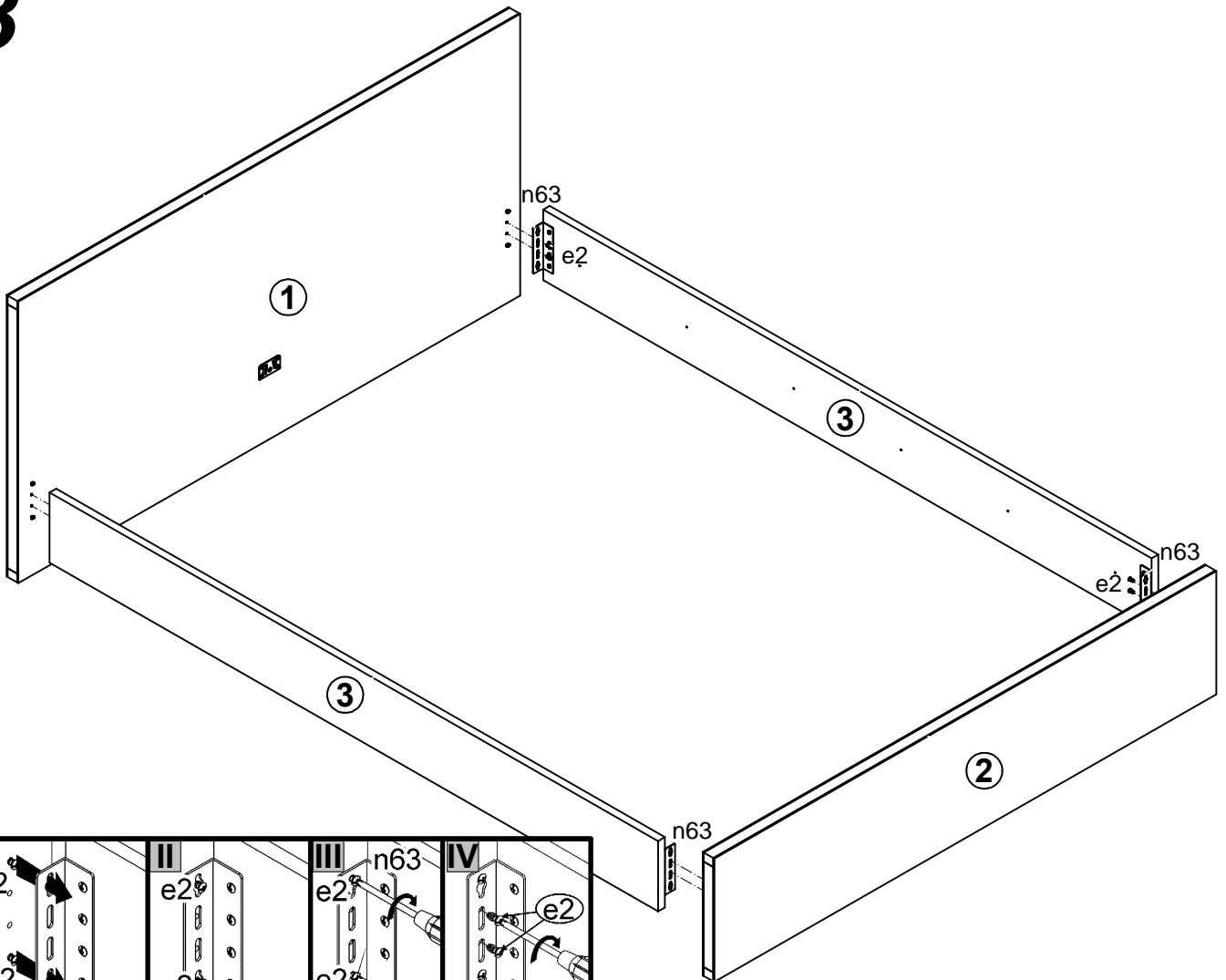
# 1



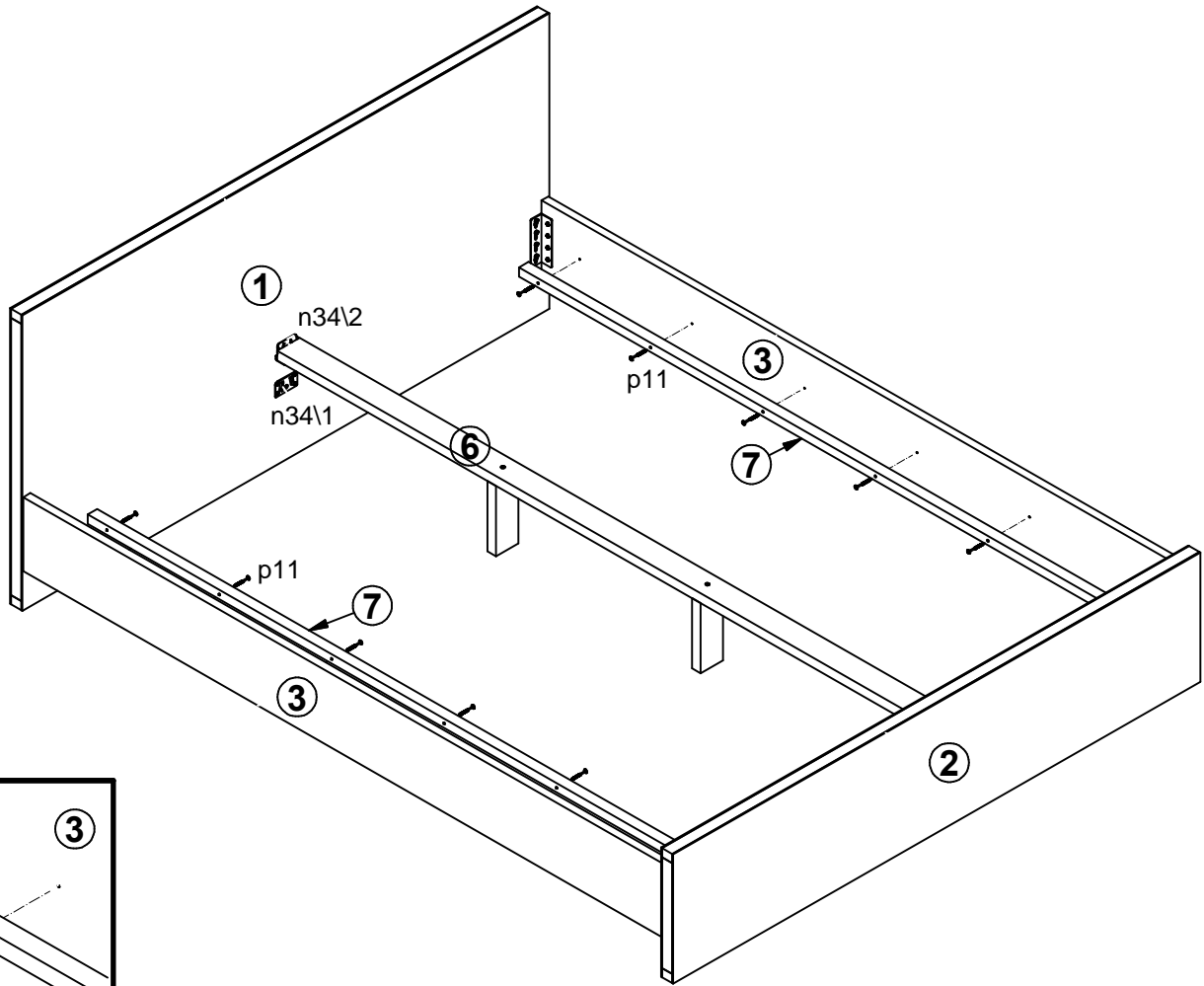
# 2



# 3



# 4



# 5

